

BROMPTON



P Line

Owner's manual

OM9-2

ISO 4210-2
CITY AND TREKKING BICYCLES

CPSC 16 CFR 1512



CONTENTS

INTRODUCTION	4
SAFETY	5
UNFOLDING	6
FOLDING	10
LOCKING BLOCK	13
USING THE BROMPTON P LINE	14
GEARS	15
BRAKES	19
LIGHTING	19
REAR FRAME CLIP	19
LUGGAGE	20
CLEANING & LUBRICATION	21
ADJUSTING THE SADDLE POSITION	22
SADDLE HEIGHT INSERT FITTING	23
BRAKE LEVER ADJUSTMENT	25
REAR WHEEL - REMOVAL AND FITTING	27
ROUTINE REPLACEMENTS	28
WARRANTY	30

OTHER LANGUAGES

French	33	Portuguese	129
Italian	65	German	161
Spanish	97	Dutch	193



INTRODUCTION

Before using your Brompton, please read this manual noting the sections on safety and folding in particular. While this manual is intended as a guide, it is not a comprehensive guide to cycling or bicycle maintenance.



To activate your 7 year extended warranty you must register your bike in the My Brompton section of our website to record the details of your bike(s); that way, if your bike is stolen or we have any need to contact you, we will have a record to refer to. You will be asked to enter your serial and frame numbers: the serial number is located on a plate at the back of the main frame; the frame number is stamped on the main frame near the bottom bracket. The information remains on the Brompton database and will not be passed on to third parties <https://www.brompton.com>

If you carry out any adjustments or maintenance work yourself, please read the relevant sections of this manual first, as it's quite easy to get things wrong, and to impair the folding process or damage your bike. This manual contains some tips and advice for using your Brompton but if you are ever unsure of how to maintain your bike, visit an authorised Brompton dealer for expert advice. For a list of dealers, please visit our website: <https://www.brompton.com/Find-a-Store>

We recommend having your bike inspected and serviced by a Brompton dealer regularly.

This manual conforms to ISO 4210-2

CARRYING & WHEELING THE FOLDED BIKE

- Owners are responsible for assessing the way they use the bike at all times, and should ensure that they take due care of their safety and welfare when riding, moving or carrying their bike
- Brompton accept no responsibility for any injury caused when lifting and handling a folded bike
- A Brompton bike weighs between 9 and 14kg, depending on the equipment fitted
- Luggage fitted to the front carrier block can also weigh up to 10kg
- Owners must take due consideration of the weight of their bike and any luggage they plan to lift or carry, and balance this against their particular physical capabilities; the circumstances i.e. route, under-foot conditions etc, must also be considered before each lift and/or carry of the bike and luggage
- Owners should always remove luggage from their folded bike so they do not attempt to lift or carry the combined weight of the bike and luggage
- Whenever you are no longer able to ride your Brompton, inside a train station for example, you should first push it as far as possible, then fold it up and roll it on the rear rollers before carrying it for the shortest distance
- It is recommended that the folded bike is carried one-handed, most comfortably with your arm straight and the bike to your side. The bike should be held either by the saddle, or the main frame below the saddle, whichever is most suitable for you
- If you have to carry the bike for any distance, then it may be appropriate to swap the bike between each hand at suitable intervals, depending on your capabilities
- Carrying the folded bike two-handed is only advisable over a very short distance, as it can only be done by holding the bike at chest/stomach level in order to avoid knocking your legs or knees against the bike; this requires both arms to be bent with an approx 90degree bend, which will place extra strain on your arms

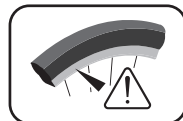
The small rollers fitted as standard on a Brompton are useful for pushing the folded bike into tight spaces. Using the raised handlebar as a handle, the folded bike may also be pulled around on these rollers, though this only works over short distances on a smooth surface. Remember to raise the seatpost slightly from the fully-down position so that it does not hinder the bike from rolling along, but not so high that the bike unfolds. The folded bike is not designed to be used as a stool, do not sit on the bike when folded.

SAFETY

The Brompton is designed for use on roads and well-made paths, carrying a maximum load not exceeding 110kg (rider and luggage weight included). A Brompton is not intended for stunts, cross-country riding or extreme sports. Your Brompton should be used for its intended purpose. Misuse may lead to failure of some components and void your Brompton warranty. We do not recommend fitting a child seat or trailer to the Brompton, doing so will invalidate the Brompton warranty.

Before riding your Brompton for the first time, and periodically thereafter, please pay close attention to the following:

- We recommend the use of an approved cycling helmet, even in countries where their use is not mandatory
- Read and follow the national legal requirements of the country where you are riding, and comply with all applicable traffic laws
- Make sure the wheel rims are clean and undamaged along the braking surface, and check for excess rim wear. If you doubt the safety of your rims, have them inspected by an authorised Brompton dealer
- Check brakes, tyres and steering regularly
- Keep brakes and gears properly adjusted and operating cables in good condition
- In rain, the brakes may be less effective and roads more slippery so brake sooner
- Check that all wheel nuts are properly tightened (see torque table, page 13)
- In the UK, the left hand brake lever operates the rear brake and the right hand lever operates the front brake, but this varies from country to country
- When riding in the dark, wear reflective clothing and use lights (front and rear); check to ensure that your lights comply with local laws



Before or after each ride, pay close attention to the following:

- Ensure that the quick release seatpost clamp is secured and the saddle is at the correct height
- The hinge clamps are in place, with levers firmly tightened
- During folding and unfolding, as well as during use and maintenance, avoid putting your hands or fingers anywhere they may be caught or trapped
- Ensure the bike is correctly folded or unfolded to avoid possible injury
- On an S Type, do not use the T Bag, C Bag or Folding Basket (which may interfere with steering)
- On a P Type, remember you have no brakes to hand when using the lower grips
- Never try to alter the height of the handlebar stem where it enters the front forks

WARNING

Many components on a bike are highly stressed, and with high mileage, heavy loads or hard riding, will eventually reach the end of their design life; in particular, aluminium alloy has a limited fatigue life. Failure in use can cause injury. You should check all load-bearing parts for any signs of damage, corrosion, or cracking, and replace if necessary. Please visit an authorised Brompton dealer for expert advice if you are uncertain.

The bike must not be subject to any modification, repair or replacement other than as authorised by Brompton Bicycle Ltd. The bike must be serviced by an authorised Brompton Dealer.

If the bike has been subject to a crash or impact you should stop using the bike immediately and have the bike inspected by a Brompton dealer. Damaged components should be replaced before the bike is ridden again. Any deep scratches or gouges in the aluminium parts can severely weaken the component and cause premature failure of the part.

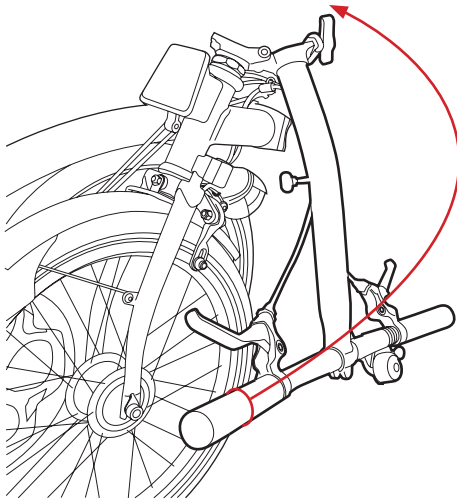
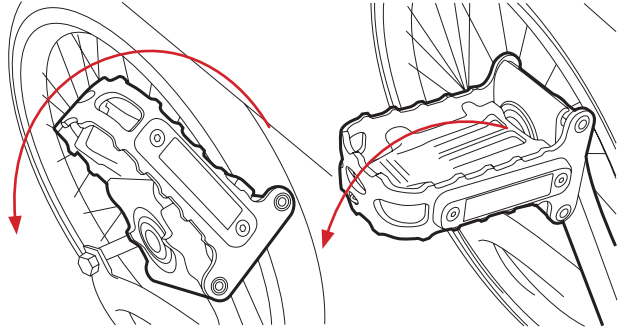
Note: We recommend that genuine Brompton parts are used for safety-critical components.

UNFOLDING THE BIKE

Take some time to look at the bike folded; it helps when you come to fold it again.

2. Unfolding the pedal

Stand on the left (non-driveside) of the bike. Unfold the left-hand pedal by pulling the toothed metal cage towards you. As you do this note how the black catch operates as this will help you when folding.

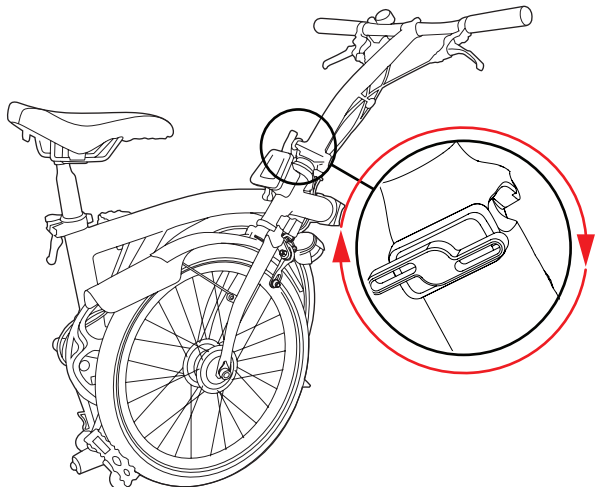


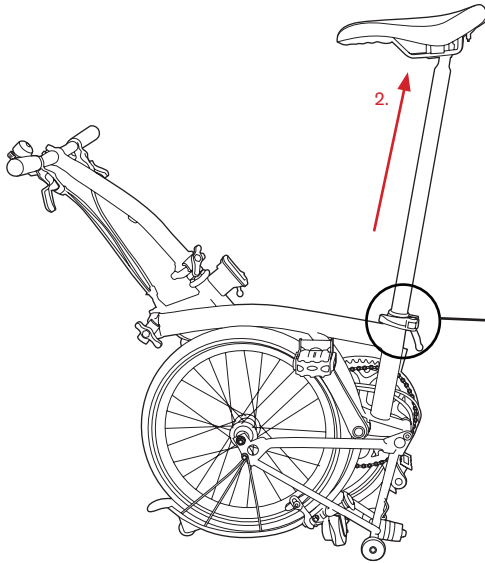
3. Unfold handlebar

To release the handlebar, firmly push down on the end of the grip nearest to you with your left hand. Swing the handlebar up until the hinge closes.

4. Tighten hinge

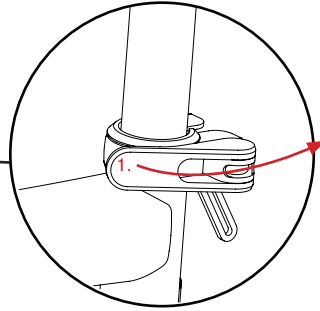
Once the hinge is closed, the black clamp lever can be closed firmly.





5. Raise saddle

Undo the seat clamp lever, pull the seatpost up and re-clamp to secure the seatpost.

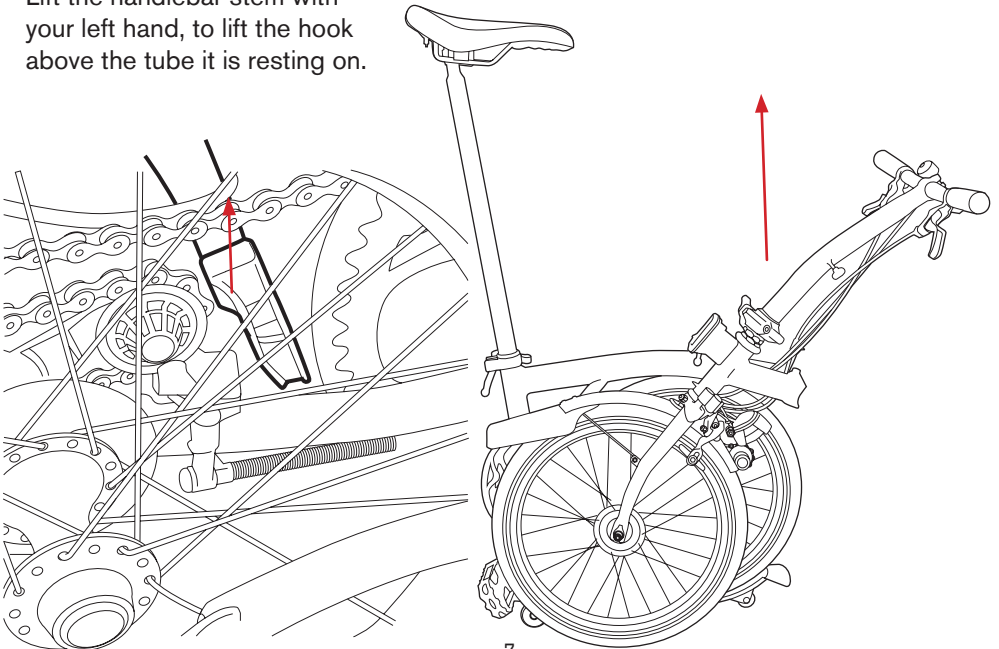


6. Lift to unhook

Place your right hand on the saddle and hold the handlebar stem with your left hand, near the hinge.

Look down where the chain runs between the two wheels and you will see the black hook holding the front wheel to the rear frame.

Lift the handlebar stem with your left hand, to lift the hook above the tube it is resting on.

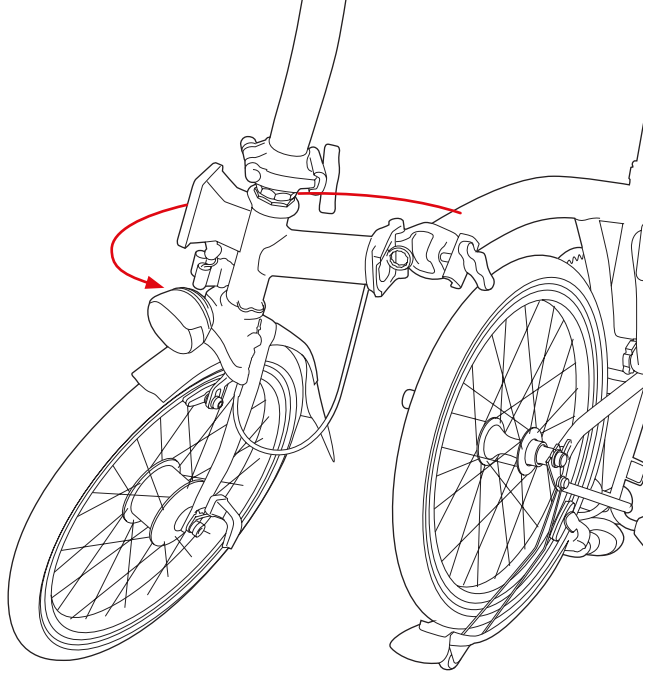


7. Unfold front wheel

Swing your left hand away from you in an arc to push the fork and front wheel away from you, push until the hinge on the main frame is closed.

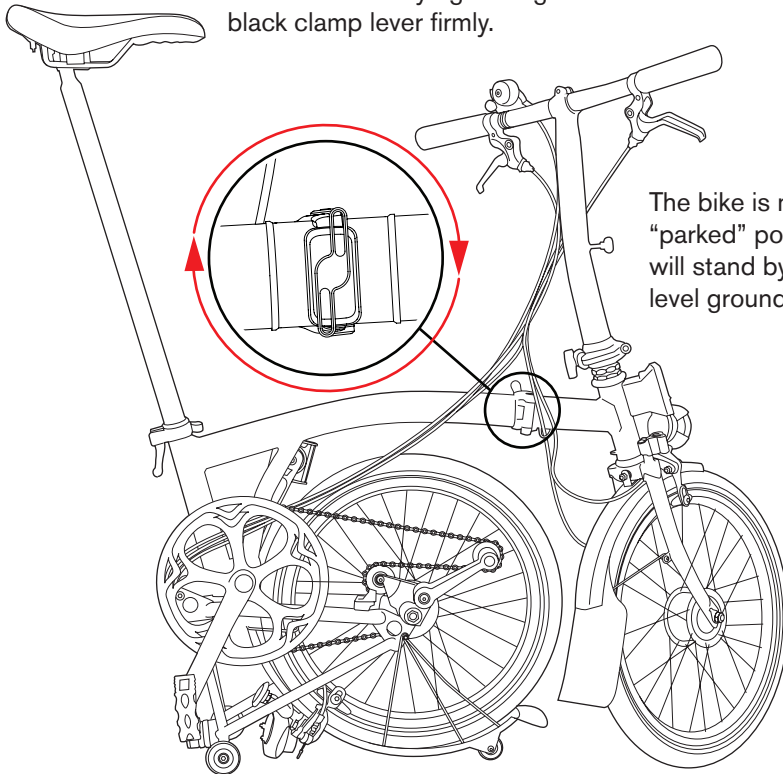
When doing this ensure that the front wheel remain pointed in a forward direction, the hook must also remain on your side of the bike.

At the end of this step, the front wheel should be pointing forward at a slight angle, not parallel with the rear wheel.



8. Tighten hinge

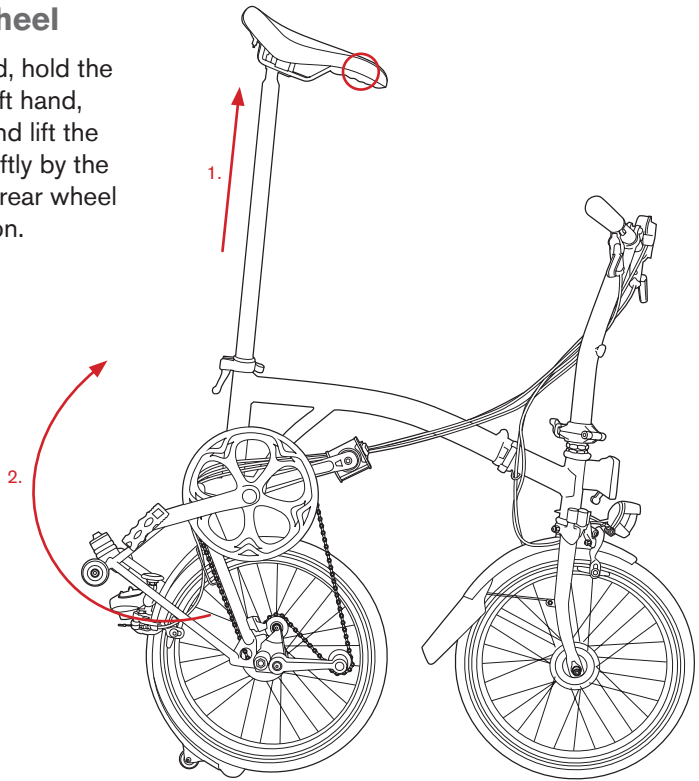
The hinge on the main frame should now be closed by tightening the black clamp lever firmly.



The bike is now in its “parked” position – it will stand by itself on level ground.

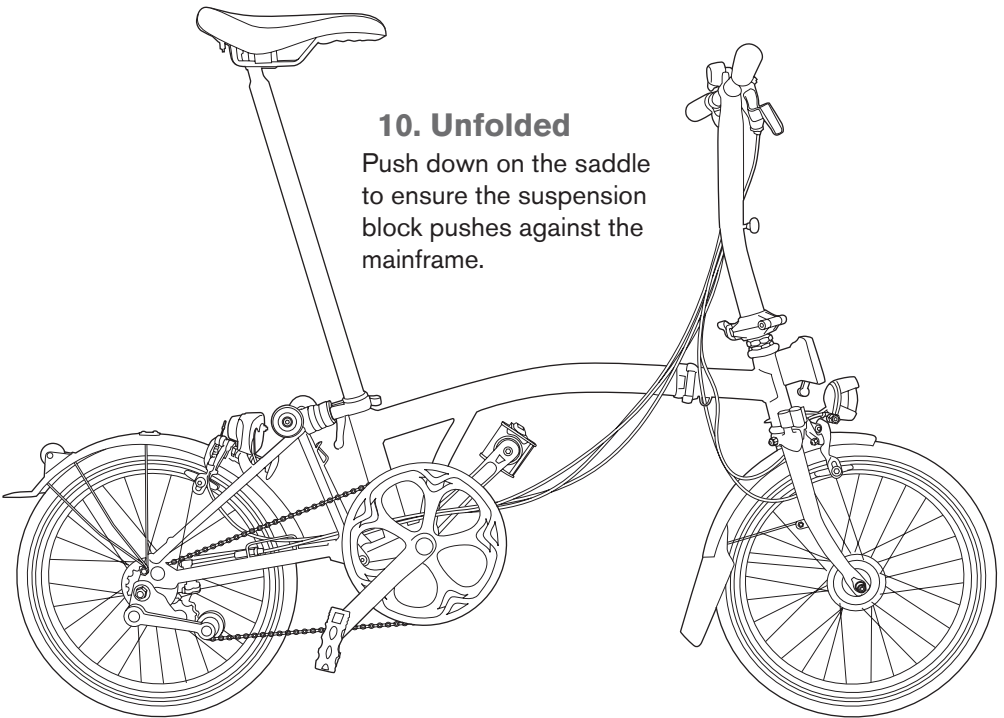
9. Unfold rear wheel

To complete the unfold, hold the handlebar with your left hand, and with your right hand lift the rear of the bike up swiftly by the saddle and swing the rear wheel backwards into position.



10. Unfolded

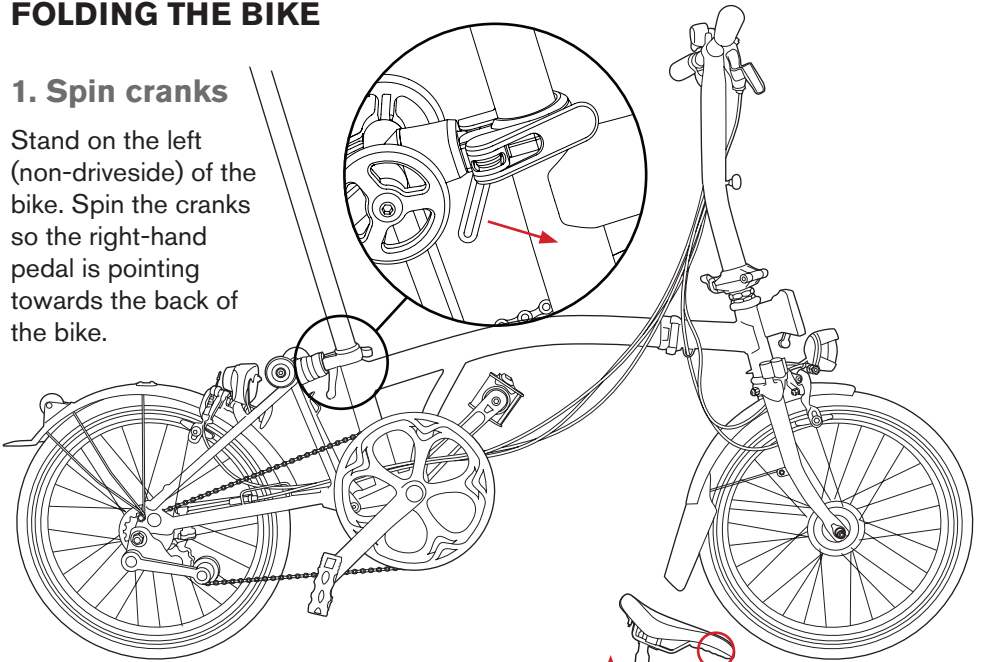
Push down on the saddle to ensure the suspension block pushes against the mainframe.



FOLDING THE BIKE

1. Spin cranks

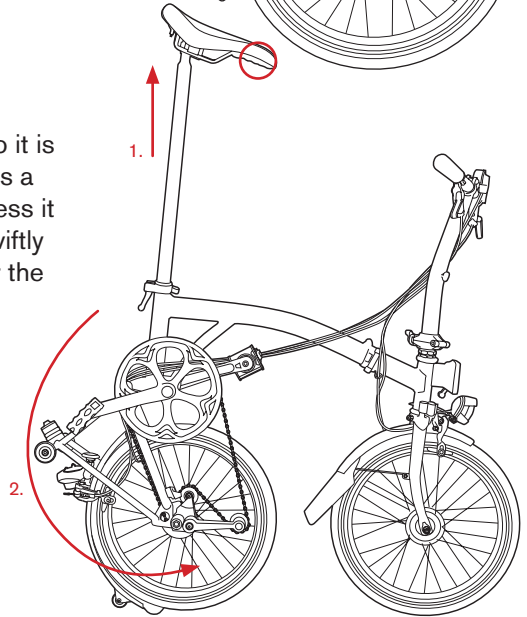
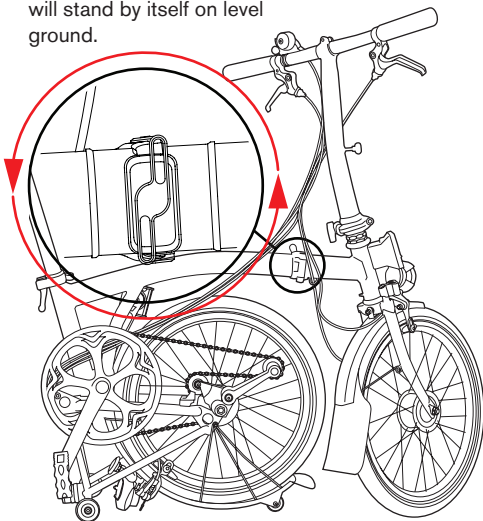
Stand on the left (non-driveside) of the bike. Spin the cranks so the right-hand pedal is pointing towards the back of the bike.



2. Fold rear wheel

Turn the handlebar slightly to the left so it is not parallel with the rear wheel. There is a lever directly below the seat clamp. Press it forward, then lift the rear of the bike swiftly allowing the rear wheel to swing under the main frame.

The bike should now be in the "parked" position – it will stand by itself on level ground.



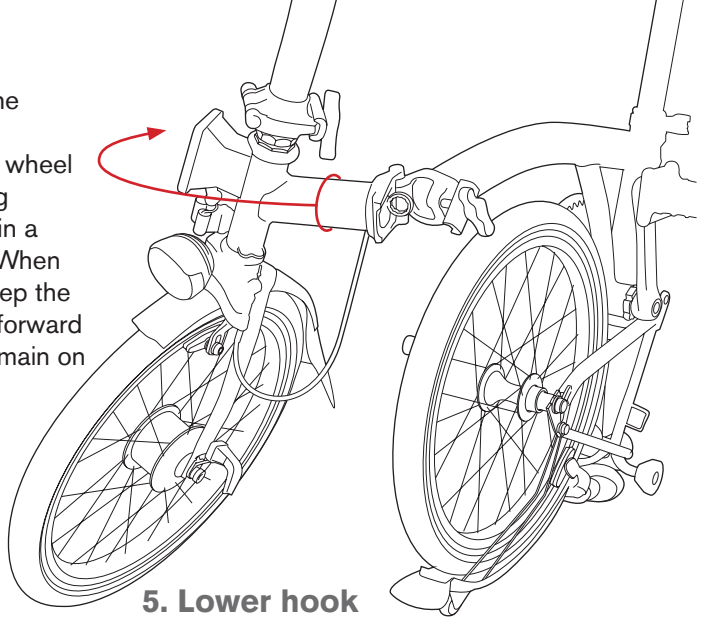
3. Undo hinge

Undo the hinge clamp lever on the mainframe in preparation for the next step.

4. Fold front frame

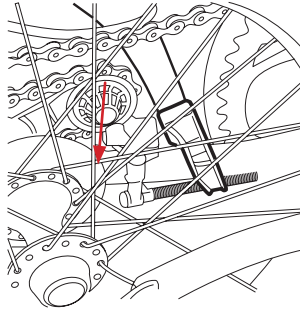
With your left hand, hold the handlebar stem below the handlebar. Swing the front wheel away and to the right, bring the handlebar stem round in a clockwise stirring motion. When doing this, make sure to keep the front wheel pointing in the forward direction, the hook must remain on your side of the bike.

Do this until the front wheel is alongside the rear wheel, and the hook located on the front fork can hook on the rear frame. You may need to slightly lift the front of the bike.



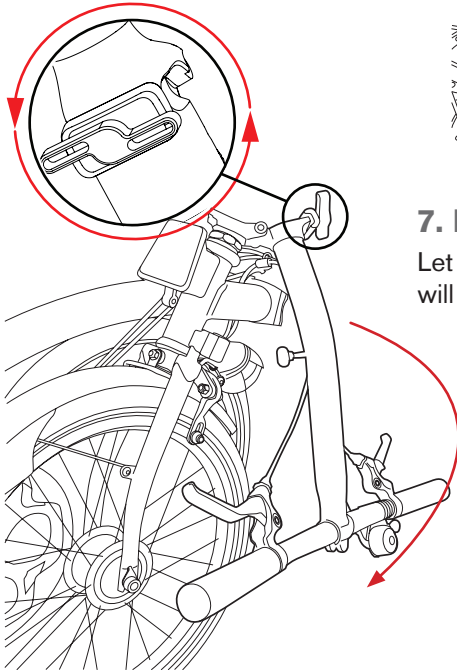
5. Lower hook

Lower the hook over the chain stay located on the rear frame.



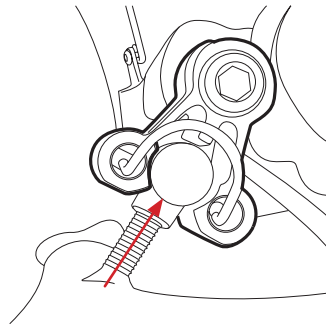
6. Undo hinge

Undo the hinge clamp lever on the handlebar stem by 4-6 turns.



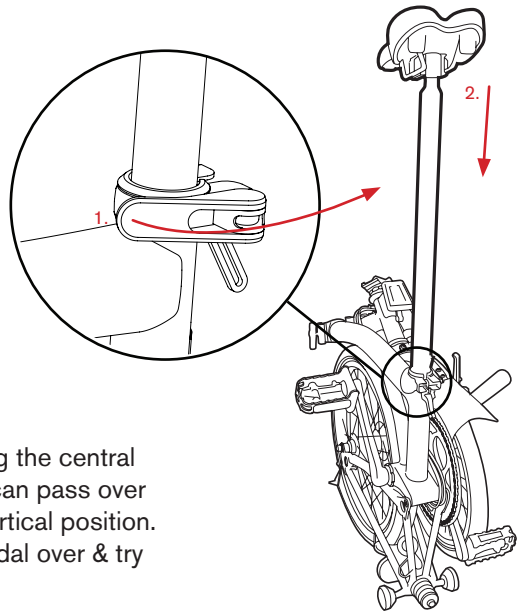
7. Fold handlebar

Let the handlebar stem fall down. The nipple will secure it in place.



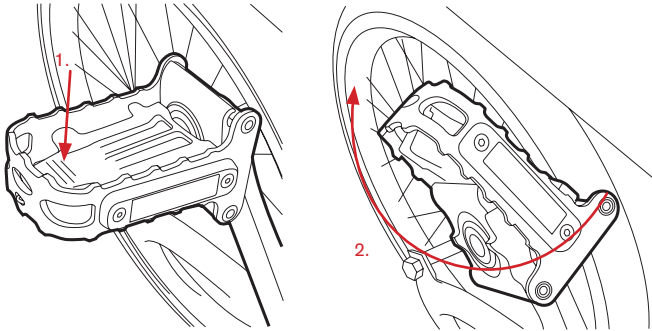
8. Lower saddle

Undo the seatclamp and lower the saddle fully. This locks the bike together, so it won't open up when carrying. Close the seat clamp lever once saddle is lowered.



9. Folding the pedal

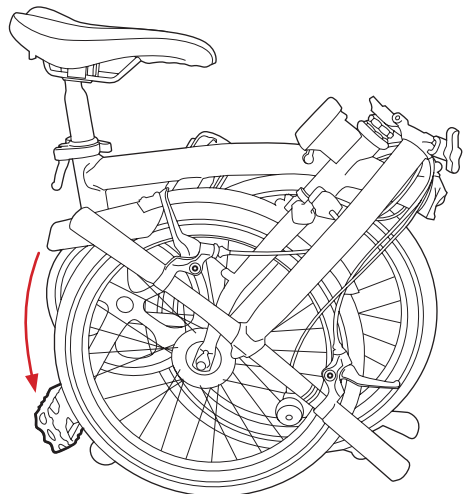
Fold the left hand pedal, by pressing the central black plate upward, enough that it can pass over the end of the crank arm & into a vertical position. If you can't lift the plate, turn the pedal over & try again



Pull the left hand pedal upwards, the right hand pedal should tuck under the front wheel.

The bike is now folded and ready to be picked up and carried. Brompton saddles have a tailored grip plate underneath the 'nose' of the saddle.

The left hand pedal should not be folded when turning the cranks, as it can catch on parts of the rear frame and cause damage to your bike.



LOCKING BLOCK

ADJUSTMENT

When you pick up the folded bike, the bike cannot unfold because the locking block LB contacts the seatpost SP to stop the rear frame from moving. The LB can be adjusted to obtain the correct gap between itself and the SP. If the gap is too small the post will catch on it when folding the bike, too large and the folded bike may partially unfold when picked up.

It is easiest to make adjustments to the LB with the bike fully folded with the seatpost raised. When the seatpost is raised, make sure it is locked in place using the seat clamp.

To decrease the gap between the LB and the SP (fig. 1), using a 4mm hex key, unscrew the cap head socket screw inside the LB half a turn at a time and then lower the seatpost to check if it has clearance. If the gap is still too wide, unscrew another half turn, and check the seat post again. Repeat this process until the correct size gap is obtained.

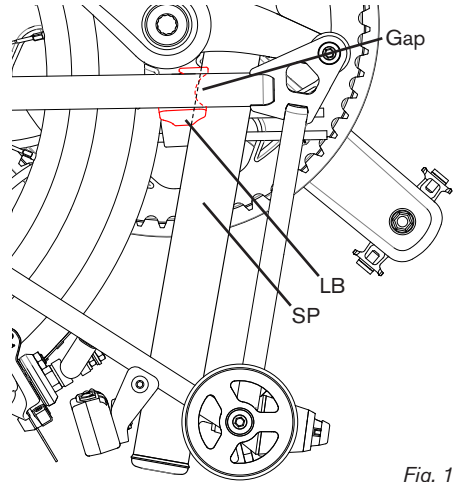
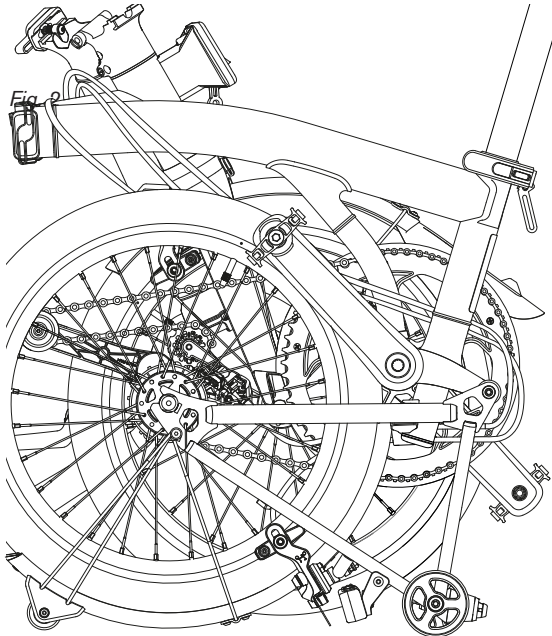


Fig. 1

PUSHING/PULLING THE BIKE WHILST FOLDED

The bike can be pushed/pulled whilst folded, as an alternative to picking up and carrying the bike. In the folded position, raise the saddle until the bottom of the seatpost comes into contact with the locking block (fig. 2). Because the locking block still contacts the seatpost, the bike is still secured in the folding position, but with the saddle slightly raised. The raised saddle can be used as a handle to push/pull the bike.



USING THE BROMPTON

TYRE PRESSURES

Tyre pressure is important for both comfort and safety. Please note the following tips for ensuring a safe and comfortable ride.

It is important to keep your tyres well-inflated; soft tyres increase pedalling effort (which takes the fun out of riding), wears tyres down quickly and has an adverse effect on handling. **Keeping your tyres well-inflated is highly recommended.**

The most appropriate pressure depends on your weight and preference. It's also worth remembering that a very hard tyre isn't always faster. A hard tyre might be faster in the velodrome, on a rough road a lower pressure will deflect more easily over uneven and rough road surfaces and therefore roll faster and make the ride more comfortable. Generally a slightly lower pressure in the front wheel and slightly higher in the rear is recommended, this accounts for the different weight distributions between the two tyres.

Brompton bikes are fitted with Schrader valves, allowing various methods of inflation. The Brompton pump is installed on the rear frame of all-steel Bromptons with mudguards. When replacing the pump on the bike, make sure that it has full engagement with the pump locators on the rear frame. You can also use a hand-pump, or an air-line found at petrol/gas service stations.

The table below shows recommended tyre pressures for tyres supplied on your Brompton P Line bike.

	MARATHON RACER		SCHWALBE ONE		CONTINENTAL CONTACT URBAN	
	MIN(psi)	MAX(psi)	MIN(psi)	MAX(psi)	MIN(psi)	MAX(psi)
FRONT	65	110	65	100	65	116
REAR	65	110	65	100	65	116

TORQUE VALUES

A list of torque values for the major components is shown here.

These parts should be checked periodically, as well as during routine maintenance and repair of the bicycle.

If components are not tightened to the correct torque, it could cause damage or failure of the part. This could cause loss of control of the bicycle and result in a crash.

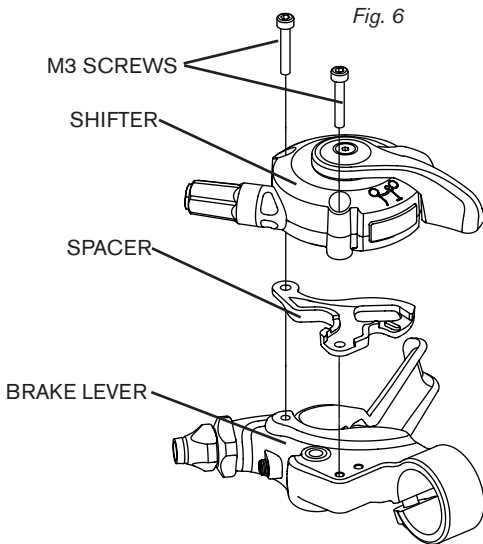
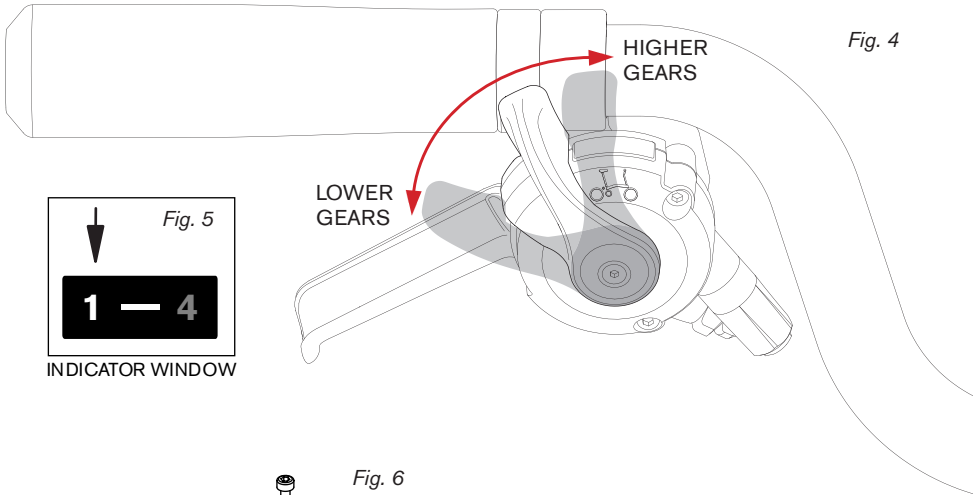
*Never try to alter the height of the handlebar stem where it enters the front forks, it should be fully inserted into the fork up to stop. If adjusting the alignment of the handlebar to the front wheel, ensure the fixing bolt is tightened correctly before riding the bike.

If the handlebar stem is not fully inserted or not tightened correctly, it could cause movement or failure of the part in use.

Part name	Torque (Nm)
Front Wheel Fixing	7
Rear Wheel Fixing	7
Brake lever bolts	2
Chain tensioner Hanger Nut	5
Chainring bolts	10
Crank bolts	30
Dynamo/superlight front wheel axle	8
Front carrier block fixing bolts	4.5
Front wheel hook fixing bolt	3.5
Handle bar support expander bolt*	30
Handlebar catch clip bolt	9
Handlebar clamp bolt	18
Brake caliper nut	8
Brake (caliper) cable clamp bolt	8
Pedals	30
Pentaclip	10
Mudguard Stay Fixings	2
Rear Hinge Bolt	10
Derailleur Mounting Screw	2

BROMPTON 4-SPEED GEARING

The 4-speed shifter uses a self-returning lever to change between the four gears. Pushing it down with your thumb will shift into an easier gear and flicking the lever upwards will shift into a harder gear (fig. 4). It is advised that each individual gear is changed while pedalling for smoother shifting or to avoid damaging the relating components. The indicator window will give an indication of which gear is selected (fig. 4, 5).



FITTING THE SHIFTER

The shifter mounts directly to the left hand brake lever, it is held in place by two M3 screws. These should be tightened to **0.6Nm**. Do not overtighten the screws as this can reduce the performance of the shifter and damage the parts.

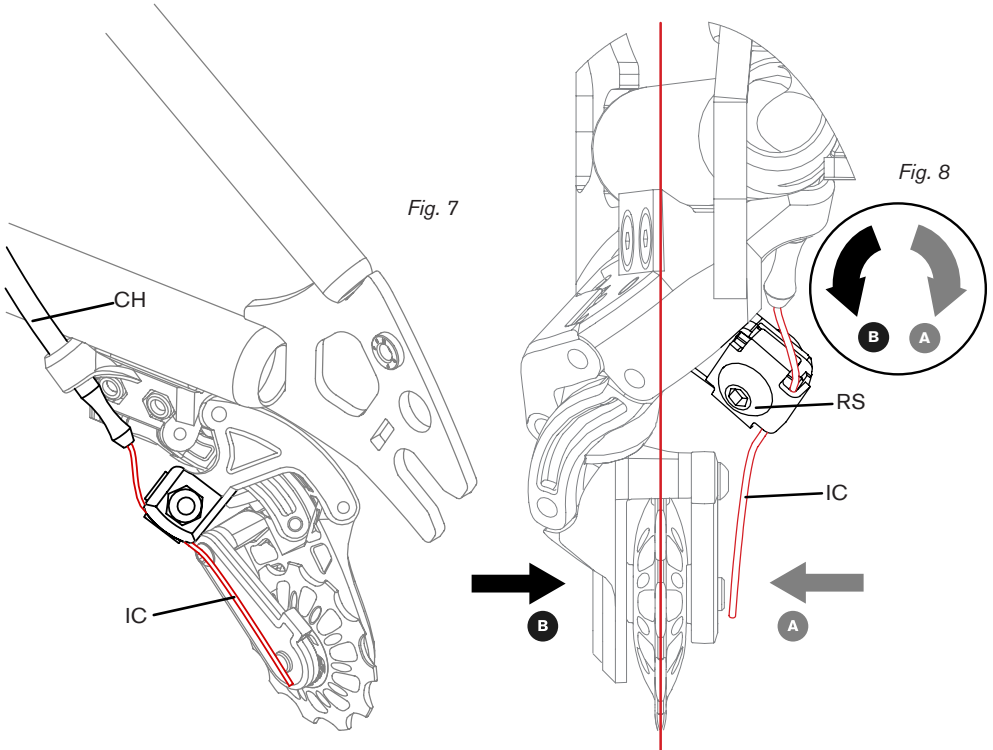
As standard a spacer (fig. 6) is fitted between the shifter and brake lever. This spacer is vital to ensure clearance between the shift lever and the grip.

MAINTAINANCE

It is vital that the key functional components like the chain, cassette and derailleur are kept clean and lubricated. If these components are kept clean their lifespan will be extended and they will function better. If there is a build up of grease and dirt on the drivetrain, the gearing may not work properly.

ADJUSTMENT

If the gears become louder than normal or start to skip and this is not due to dirt and grime on the parts, it could be due to cable stretch. This is especially common for new bikes or where new cables have been fitted. This can be fixed by adding tension to the cable. **See cable tension instruction below.** The derailleur not being aligned properly could also cause the same issue though this usually affects the highest and the lowest gear. In which case you will need to adjust the two limit screws LS on the outside of the derailleur. **See limit screws instruction below.**



CABLE TENSION

To add tension lost due to cable stretch, place the bike in a stand. Unscrew the barrel adjuster (fig. 10) outwards a quarter turn at a time, each time pedalling the bike whilst listening for the reduction of noise. A visual check can also be done to insure that the jockey wheel on the derailleur is aligned with the selected sprocket on the cassette. If the bike is failing to reach the largest sprocket this means that too much tension has been added, screw the barrel adjuster inwards to remedy this issue (fig. 10). If this doesn't fix the original issue, change to the smallest sprocket on the cassette, then loosen the bolt holding the cable in place on the inside of the derailleur (fig. 7, 8). Use a small pliers to pull the inner cable IC end to increase the cable tension and then tighten the bolt RS (fig. 8).

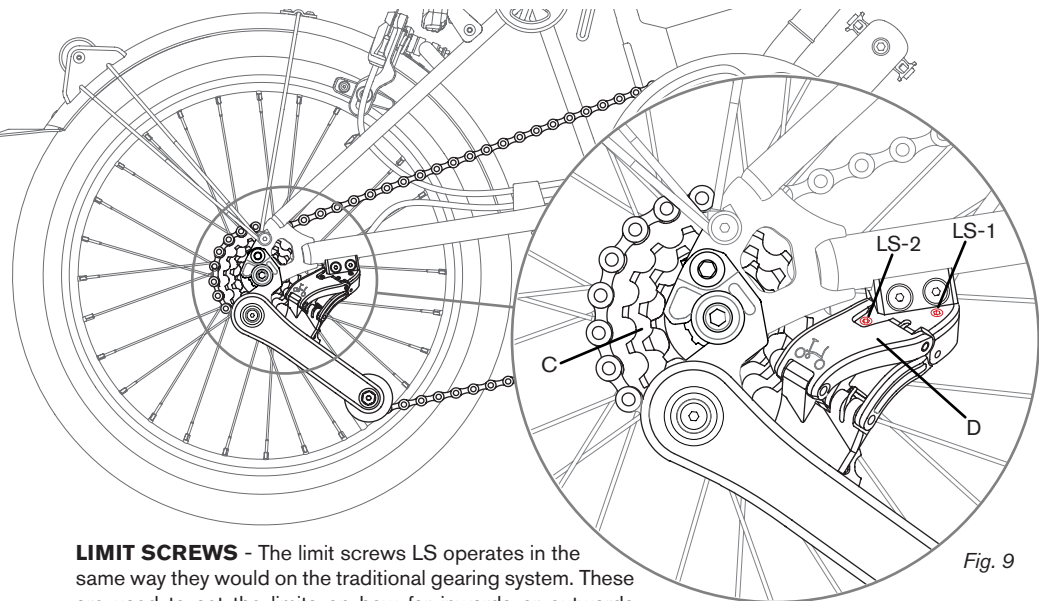


Fig. 9

LIMIT SCREWS - The limit screws LS operates in the same way they would on the traditional gearing system. These are used to set the limits on how far inwards or outwards the deraiuller can carry the chain. If there is an issue with reaching the highest or the lowest gear, the limit screw may need adjusting.

LS-1 is used to create alignment on the largest sprocket on the cassette. **LS-2** for the smallest (fig. 8).

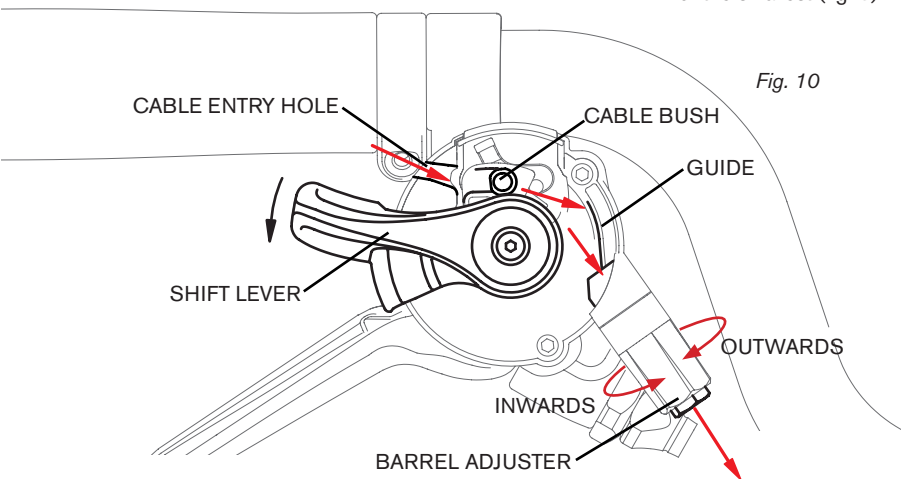


Fig. 10

FITTING A NEW CABLE

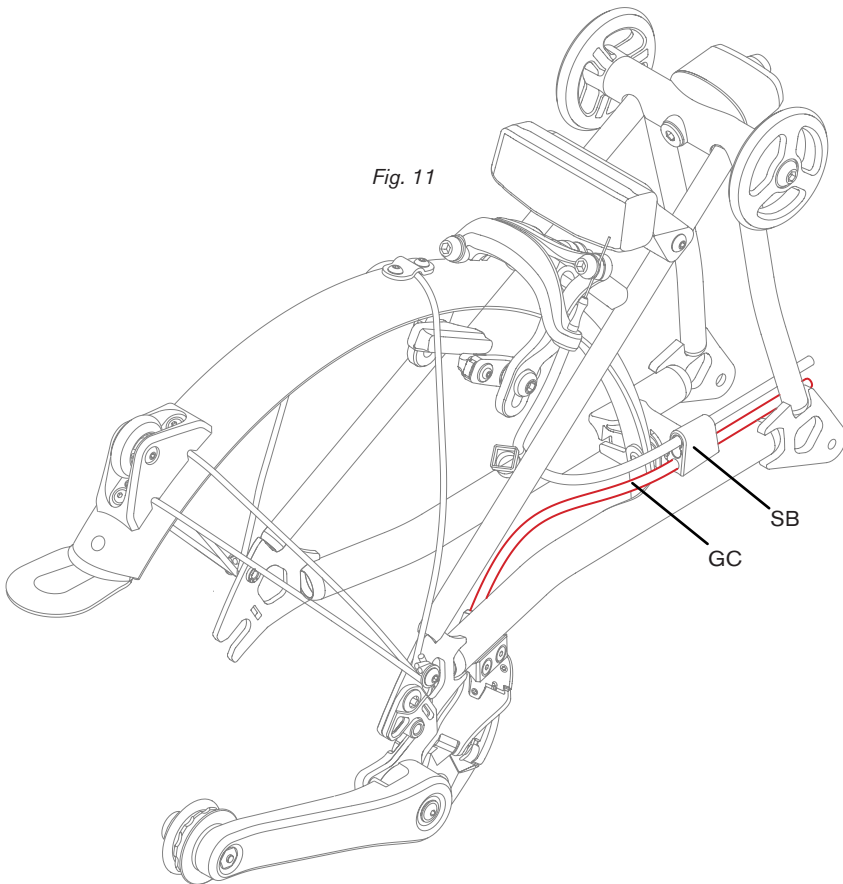
- Screw the barrel adjuster fully clockwise so that it is at its shortest setting, then unscrew by 2 turns
- Select the lowest gear (1) and then press the shift lever downward so it does not obscure the cable entry hole
- Feed the gear cable into the shifter in a slightly downward direction and through the cable bush
- If there is resistance pushing the cable through the bush pull the cable back a little and try again
- Once you can feel the cable pass through the bush keep feeding it until you feel slight resistance
- Keep feeding it through so that it follows around the guide inside the shifter and exits through the barrel adjuster.

DO NOT FORCE THE CABLE AS THIS MAY DAMAGE THE SHIFTER

SETTING THE GEARS

- Insert the inner cable IC into the cable housing CH
- Thread it all the way through until it exits through the end of the housing
- Route the cable along the bike frame following the same paths as the existing cables. This is essential for folding
- When the cable reaches the rear frame, route the cable through the stopping block (fig. 11)
- Using some needle nose pliers or similar, pull the cable through the housing and insert into the derailleur
- Tighten the bolt that holds the cable in place on the inside of the derailleur (fig. 8)
- Use the barrel adjuster on the shifter to make adjustments to the cable tension as needed (fig. 10)
- Unscrewing the adjuster will add more tension to the cable and improve shifting into the lower gear (fig. 10)
- Screwing the adjuster inwards will reduce tension and improve shifting into the high gear
- The jockey wheel on the derailleurs needs to be in-line with the selected gear sprocket on the cassette (fig. 10).

Fig. 11



BRAKES

You should adjust your brakes on a regular basis as they are critical to your safety. The time between adjustments will vary depending on how often you use your Brompton; if your brake lever touches the handle bar when you pull on it, your brakes need urgent adjustment. The brakes should be set so that the brake pads are as close to the rims as possible without interfering with the rotation of the wheels. Adjustment is carried out using the threaded cable stop on the brake lever. If you are unsure of how to do this, have it adjusted by a Brompton dealer or qualified bicycle technician.

- When setting the rear brake, the bicycle should be unfolded
- When setting the front brake, do not set the pads so close that they bind on the rim when the wheel is turned to the right or left
- Replace your brake pads if the grooves on the brake pad surface are less than 1mm deep

Keeping your rims and brake pads clean will improve your braking performance and increase the lifespan of the pads and rims. The black residue that accumulates on the rims is a mixture of dirt, pad material and aluminium powder worn from the braking surface of the rim, this residue is abrasive and will accelerate the wear of the rim and pads. When cleaning the pads and rims check to ensure they are not worn out and a worn rim or pads should be replaced immediately.

LIGHTING

Two lighting options are available on Bromptons; a battery-operated front and rear lamp and a hub dynamo system that generates electricity while you cycle. These Brompton lighting sets can be fitted to any bike model. Please use these lights in accordance with local laws. For technical information relating to the operation of the battery lamps and hub dynamo system, please refer to the technical section on our website <https://www.brompton.com>

THE REAR FRAME CLIP

To release the rear frame press the small lever (fig. 12) forward and lift the bike so the suspension block moves away from the latch and the rear wheel swings under the frame. Lower the bike so it sits in the parked position.

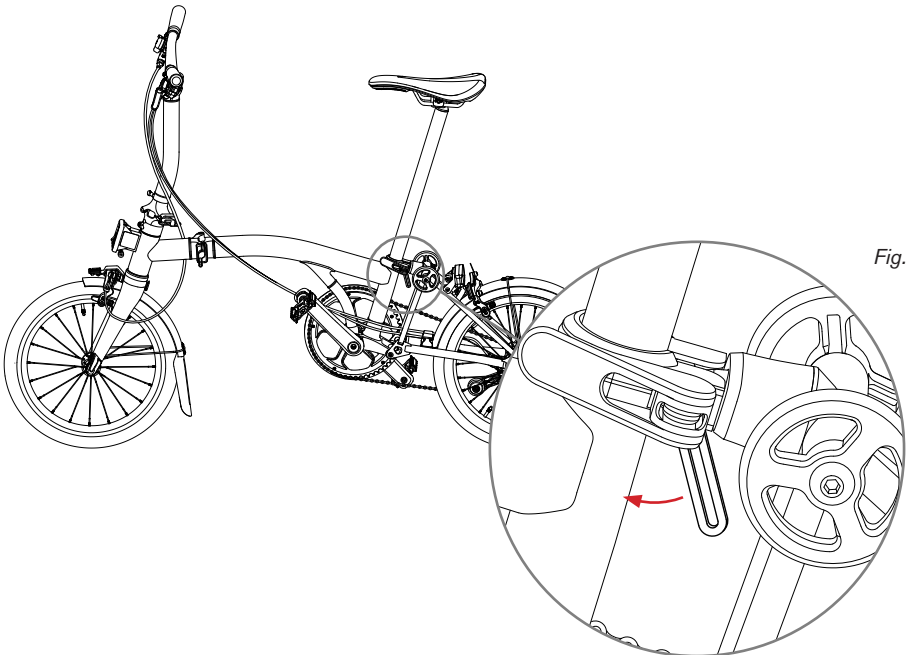


Fig. 12

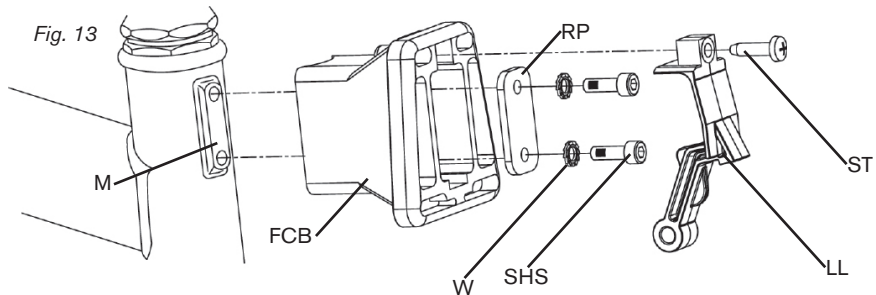
LUGGAGE

Brompton has a selection of luggage accessories that you may fit to your Brompton. They have a load capacity of up to 10kg on the front and 10kg on the rear rack. Please pay attention to the instructions that come with all luggage before use. Using incorrect luggage may interfere with steering and could be dangerous.

Note: All Brompton front luggage is suitable for use on M, H and P Type Bromptons, but the T Bag, C Bag and Folding Basket are not suitable for use on S Type Bromptons.

FRONT CARRIER BLOCK

- Check that you have all the parts shown in the diagram (fig. 13)
- If fitting for the first time, remove the two set screws in the brazed-on mounting block M; older bikes use a black nylon screw with slot, newer bikes a steel screw with 2.5mm hex drive
- It is vital that you do not omit either of the serrated washers W when fitting the retaining plate RP and that the correct torque is used on the screws SHS
- The blue patch on the screw is there to lock the screws in place; do not tamper with, remove or expose this patch to moisture as the locking action will be greatly reduced
- The screws should not be re-fitted after the initial installation; the blue patch will not function correctly
- The screws should be replaced with Brompton part QFCB-BOLTS or two M5x16 socket head cap screw, Class 12.9 DIN 912 with medium strength threadlock applied to the threads before installation



FITTING INSTRUCTIONS

You need a 4mm Allen key and a Posidrive screw-driver. Assemble the retaining plate RP and one of the M5 socket head screws SHS, together with its star-washer W into the body of the carrier block FCB. Address this to the head tube on the bicycle the correct way up as shown.

- Insert the first screw by two to three turns, do not tighten fully
- Insert and do up the second screw with serrated washer W
- Finally tighten both screws firmly to a Torque of 4.5Nm
- Feed the bottom end of the latch lever LL through the hole in the base of the carrier block FCB and then, holding the bottom of the latch lever, position the top of the latch lever inside the carrier block
- Feed the self tapping screw ST through the hole in the latch lever and secure firmly into the carrier block
- The screw ST must be fully screwed home so the latch is properly locked in place, if not it will be ineffective and luggage may fall off, which is dangerous

CLEANING & LUBRICATION

It is important to lubricate components to keep them running safely and efficiently. We recommend you do this regularly, though some parts will need more frequent lubrication.

The chain has to be well-lubricated for smooth pedalling. Apply chain lubricant while turning the pedals backwards, making sure it flows onto the rollers; allow the oil to work in by continuing to turn the pedals backwards, then wipe off any excess.

When lubricating the chain its worth remembering that you are trying to lubricate the chain rollers and not the plates, any lubricant on the plates isn't going to aid drivetrain efficiency and will simply serve to attract dirt. The best method is to carefully apply one drop of lubricant to each roller, this will take a little longer than just squirting lube on the chain while you back pedal, but will ensure the lube gets where it's needed and nowhere else.

The thread of the hinge clamp bolt and its washer should be greased occasionally. A thin smear of grease on the inside faces of the clamp plates also help them release more easily.

The gears and bearings are sealed; greasing need only be carried out during a major service by a bicycle mechanic.

When lubricating your Brompton, avoid getting oil or grease on the seatpost or the wheel rims. Any good quality general purpose grease is satisfactory. For the chain, 'dry' chain lubricants with good penetrating properties give the best results. Consider the environmental impact of the lubricants and greases you use.

We advise using a bucket of hot soapy water and a sponge to clean the bike. Do not use a hose or pressure washer as this can force water into bearings and moving parts, driving out lubricant and causing corrosion.

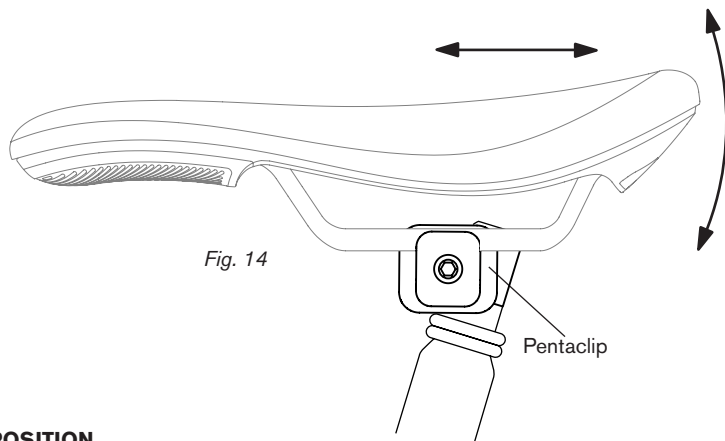
ADJUSTING THE SADDLE POSITION

The angle and fore-aft position of the saddle can both be adjusted. To establish the most comfortable position you should start by adjusting the saddle into a neutral position; you can then work from there to find the best position. First loosen the Pentaclip bolt using a 5mm hex key until the saddle can be moved with little force. Be careful not to loosen this bolt too much as this will make adjustment more difficult.

Move the saddle rails in the clamp so that they are roughly centred (half way between maximum fore and aft position). Adjust the saddle into a level position, so that the top surface of the saddle is roughly level between the front and rear edge (fig. 14). Once the saddle is in a neutral position, tighten the Pentaclip bolt to 10Nm. Test the saddle position, you can adjust it to make it more comfortable.

ANGLE

If the nose feels like its pointing up, or feels as though the back of the saddle isn't giving enough support, you can angle the saddle forward. The saddle could conversely feel like it needs tilting back a little, to give more support from the nose, or if it feels like all the riders weight is resting on the back of the saddle. Once you have adjusted the saddle, tighten the Pentaclip bolt and spend some time riding, readjusting if necessary.



FORE-AFT POSITION

Moving the saddle back and forth from the neutral middle position will not only affect the reach (to handlebar) but also the position relative to the pedals. By moving the saddle back you will increase reach to the bars and make the bike a little more stretched out. Moving the saddle forward will make the feel shorter and more upright. Test the bike and readjust if necessary, making sure you securely tighten Pentaclip to 10Nm.

ADDITIONAL SADDLE HEIGHT

If you can't gain enough height by re-positioning the saddle, there are two Brompton options which give height: a telescopic seat pillar and a longer pillar extended by 60mm. The telescopic pillar can accommodate the needs of taller riders, with little change to the folded size.

The handlebars and control levers on the Brompton are factory-set to provide a compromise between compactness and riding comfort. Should you choose to make any changes, the folded handlebar or stem cannot lie as close to the front wheel as normal and increases the folded package.

If the handlebar stem assembly has to be moved for any reason, it is highly recommended that any adjustments are made by an authorised Brompton dealer or certified bicycle technician. The clamp bolt should be tightened to a torque of 10Nm.

SADDLE HEIGHT INSERT FITTING

Once you have the correct saddle position you can fit the saddle height insert. This should be fitted in cases where the saddle height is too high at maximum extension. The saddle height insert will allow you to set the saddle at the correct height each time the bike is unfolded.

SETTING THE SADDLE HEIGHT

- Remember to use your usual cycling shoes at this stage
- Adjust the saddle height so that when the pedal is at the bottom of the stroke and the heel of the shoe is on the pedal, your leg is straight (fig. 15)
- When pedalling with the front of the foot, your leg will be slightly bent at maximum extension
- Once you are happy with the saddle height, mark the seatpost with a marker pen or tape at the top of the seat-slide tube (fig. 16)
- The minimum height of the seatpost is reached when the seatpost extends out of the seat tube, below the bottom of the frame; the bike should not be ridden with the seatpost protruding from the bottom of the seat tube
- If you are unsure about the fitting process, your Brompton dealer will be able to assist you

Fig. 15

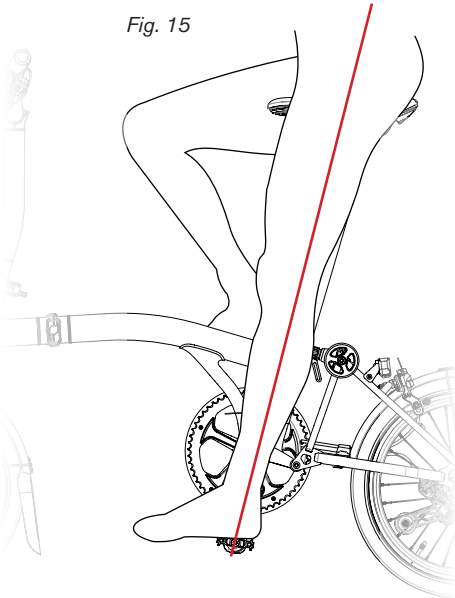
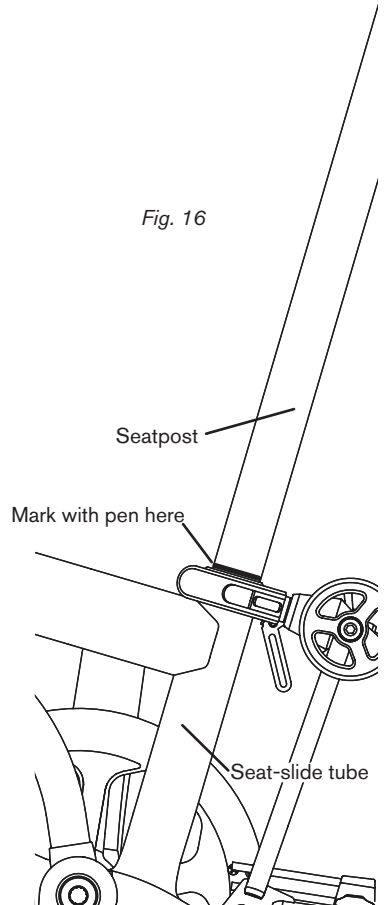
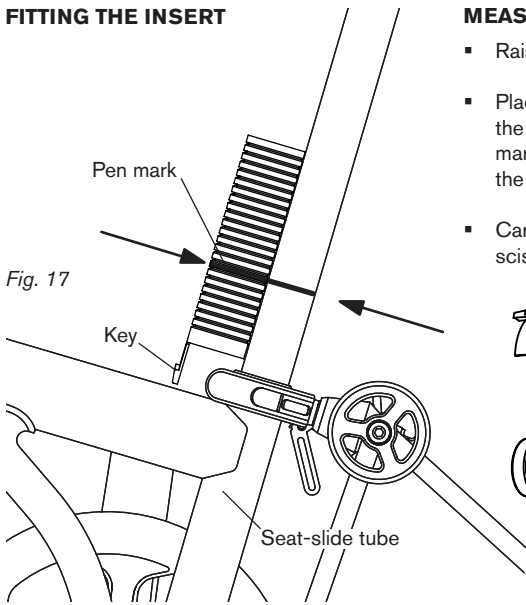


Fig. 16

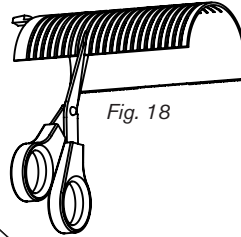


FITTING THE INSERT

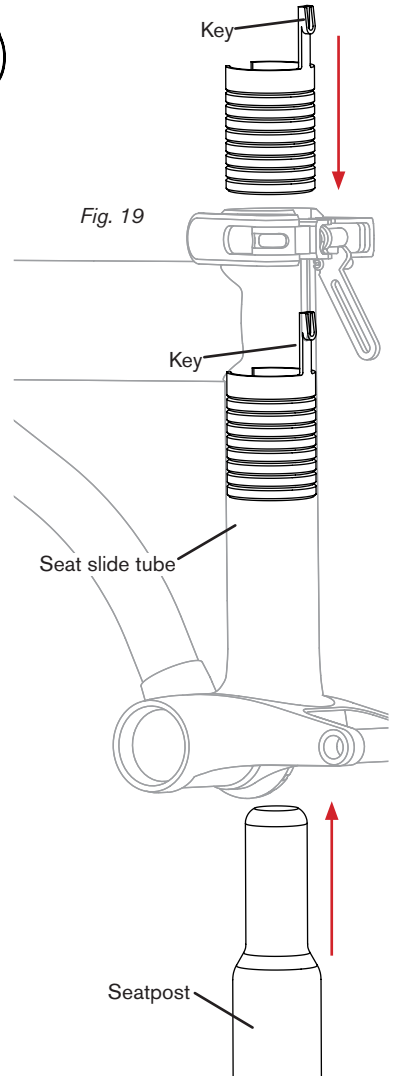


MEASURING AND CUTTING THE INSERT

- Raise the seatpost to maximum height
- Place the insert upside down against the post at the top of the seat-slide tube as shown (fig. 17) and mark the groove in the insert, closest to the mark on the seatpost
- Carefully cut the insert along this groove with scissors (fig. 18)



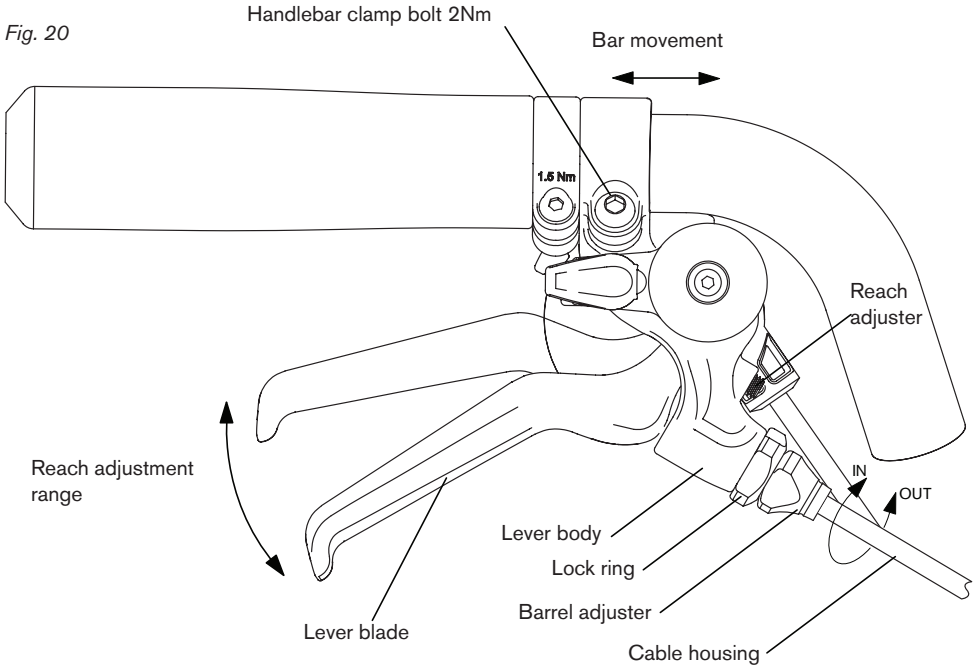
- Mark the Pentaclip to show the saddle angle and position on the Pentaclip using a marker pen or tape
- Loosen the Pentaclip with a 5mm hex key and remove the saddle and O-rings from the top of the seatpost
- Remove the seatpost by sliding it out from the underside of the frame
- Squeeze the saddle height insert and insert it into the top of the seat-tube, aligning the key with the slot (fig. 19)
- Engage the key with the base of the slot (fig. 19)
- Refit the seatpost into the underside of the frame (fig. 19), making sure the post is clean
- Refit the O-rings and saddle, align the setting marks on the Pentaclip and tighten (15Nm)
- Check the saddle height is correct at full extension, small adjustments can be made by moving the Pentaclip position up or down slightly on the post (fig. 14), for more information see <https://www.brompton.com>



BRAKE LEVER ADJUSTMENT

In order to achieve a comfortable and safe brake lever position, it is important to spend some time ensuring the lever is correctly adjusted. Depending on your hand size, you can adjust the distance of the lever from the bar; the lever can be set to be operated by one, two or three fingers.

The left and right hand levers are specifically designed for their respective positions; the lever is fitted with the clamp bolt facing upwards (fig. 20).



1. LEVER ANGLE

The range of lever angle adjustment is restricted by the cable exit path, if the lever is angled too high it will cause problems for the operation of the brakes and in folding the bike.

When the bike is folded, the right hand brake cable housing will contact the fork leg. The lever angle should be set so that the cable housing lightly contacts the fork leg; too much contact will bend and damage the housing. For this reason, the lever blade features a kink allowing the lever blade to sit higher than the lever body, this offers a more comfortable position without affecting the cable housing path.

2. LEVER POSITION

The position of the lever on the bar can be adjusted to move the lever closer or further from the end of the handlebar grip. This adjustment will allow the lever to be positioned for one, two or three finger braking.

Positioning the lever for one finger braking will give a more secure grip on the bar but allow you to apply less braking force. Three finger braking will allow you to apply maximum braking force but reduce bar grip.

3. REACH ADJUSTER

Lever reach adjustment is controlled by the grub screw on the side of the lever body.

Screwing the reach adjuster into the lever body (2.5mm hex key) will bring the lever closer to the handlebar.

When the lever reach is adjusted closer to the handlebar it will cause the brake pads to move closer to the wheel rim. It may be necessary to adjust the lever bite point (engagement position) in order to give sufficient pad clearance; this can be achieved by screwing the barrel adjuster into the lever body.

If there is not enough adjustment at the barrel adjuster to give sufficient pad clearance and a satisfactory lever bite point, you may need to loosen the cable clamp bolt (10mm spanner) at the brake caliper to allow some cable to be pulled through. Be sure to re-tighten this bolt to 8Nm and ensure the cable is properly secured before using the bike.

4. BITE-POINT ADJUSTMENT

Lever bite-point (engagement position) adjustment is controlled by the barrel adjuster. Screwing the barrel adjuster into the lever body will bring the lever bite-point closer to the handlebar. Screwing the barrel adjuster outward from the lever body will move the bite point further from the handlebar.

The barrel adjuster uses a lock ring to secure it in position; this should be loosened before adjustment and tightened once the barrel adjuster is correctly positioned.

5. SECURING THE LEVER

Once the lever has been correctly positioned on the bar, the clamp bolt should be tightened to a torque of 2Nm (4mm hex key).

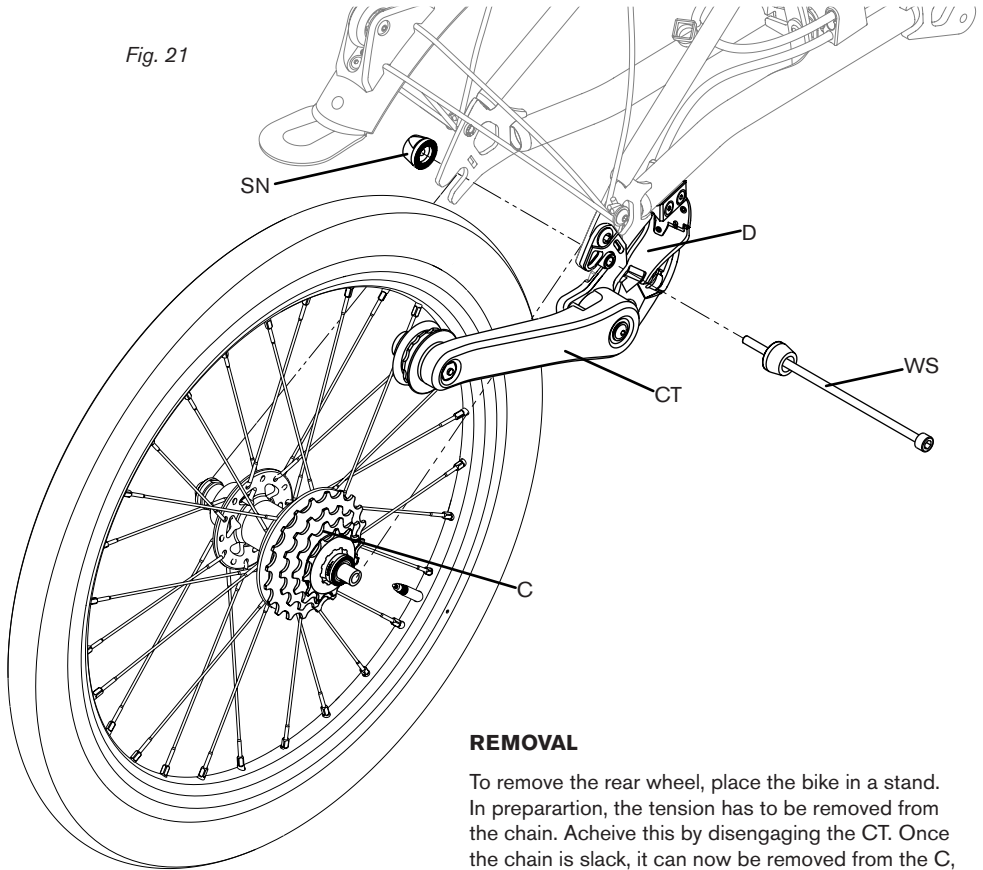
Correct cable routing and cable housing length is essential; cables must pass in front of the handlebar, to the left of the handlebar support and to the right of the main frame tube.

IF YOU ARE UNSURE ABOUT ANY OF THESE ADJUSTMENTS CONSULT YOUR BROMPTON DEALER, DO NOT ATTEMPT TO USE THE BIKE WITH POORLY ADJUSTED BRAKES

REAR WHEEL – REMOVAL AND REFITTING

- When fitting or removing the rear wheel, change the gear to the small sprocket on the cassette
- The chain tensioner should be disengaged from the chain before removing the wheel
- When fitted, ensure the wheel is seated correctly in the dropout, if not the gears may not function properly
- It is vital that you follow the correct fitting procedure and tighten all fixings correctly

Fig. 21



REMOVAL

To remove the rear wheel, place the bike in a stand. In preparation, the tension has to be removed from the chain. Achieve this by disengaging the CT. Once the chain is slack, it can now be removed from the C, and out of the way for the wheel to be taken off. Use a 5mm hex key to loosen the WS. Once loosened, to avoid the skewer nut SN spinning on the opposite side, hold it in place. Then completely remove the WS. For the wheel to pass the brake caliper, the tyre has to be deflated. The wheel can now be guided out with little pressure.

FITTING

When fitting the rear wheel, place the bike in a stand. Ensure that the correct running orientation by checking that the arrow on the tyre wall is indicating a forward running orientation. Guide the wheel in place ensuring that the chain can be correctly seated on the cassette C later. Once the wheel is seated in place. Insert the skewer WS as shown (fig. 21). Tighten the skewer bolt to 7Nm. The chain tensioner CT can now be engaged by the chain.

ROUTINE REPLACEMENTS

Planned replacement is advised to ensure both safety and good performance. The suggested intervals between replacements are for bicycles subjected to normal use; the most appropriate timing depends on the conditions of use and riding style. We recommend genuine Brompton replacement parts for safety-critical components.

ALUMINIUM COMPONENTS As on other lightweight machines, aluminium alloy is used in the construction of the Brompton, and this material has a finite design life before failure. In normal use, the risk of aluminium fatigue failure is remote, even after many thousands of miles. However, the risk of failure increases with use, especially with hard riding or other severe loading. As such a failure could cause injury, the hinge clamp plates, handlebar, chain set, seat pillar and pedals should be replaced every 5,000 miles (more frequently if they are subjected to hard use), and we recommend that these items are checked regularly.

TRANSMISSION All Brompton bicycles have a self-adjusting, sprung chain tensioner to maintain correct chain tension. Over time, the chain and sprockets will wear, commonly known as chain stretch; this will result in inefficient and rough power transmission. We recommend replacing the chain and sprockets every 2,000 – 3,000 miles, but regular cleaning and lubrication will prolong the chain's life. Never use a new chain on worn sprockets or vice versa. To measure chain stretch, you may wish to use a chain stretch tool.

BRAKES Cables do not have an indefinite life, and to reduce the risk of failure, replace the cables at intervals of 4,000 miles or less. New outer-cables should be exactly the same length as the original; for best results, use genuine Brompton-specific cables and have them fitted by an authorised Brompton dealer or certified bicycle technician. Cables that are the incorrect length could affect the safety and performance of your bicycle.

GEAR CABLES These should be replaced at the same interval as brake cables. As Brompton cables are specifically designed for Brompton bikes, only genuine Brompton cables should be used. Have them fitted by an authorised Brompton dealer or certified bicycle technician. Cables that are the incorrect length could affect the safety and performance of your bicycle.

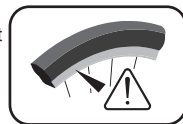
BRAKE BLOCKS When brake blocks are new they have grooves on the braking surface; once those grooves are less than 1mm deep or no longer visible, the pads should be replaced. As brake pads are critical to the safe function of your brakes, we recommend you have them fitted by a qualified bicycle technician, using genuine Brompton replacement brake pads.

TYRES The risk of punctures increases with mileage and as the tyre tread starts to wear away. Once you notice your tyre tread wearing thin, replace the tyre. This will reduce your chances of puncture and increase pedalling efficiency.

DYNAMO LIGHTING The electric cables used in dynamo lighting wear out with the folding and unfolding of the Brompton. When the cables become worn, replace them immediately to avoid any damage to your dynamo hub. If your lights are faulty, have them inspected by a qualified bicycle technician to keep yourself visible and safe on the roads.

SUSPENSION BLOCK AND BUSH Check the bush and suspension block for wear annually. If you notice any cracks in the suspension block, have it replaced immediately.

WHEEL RIMS The braking surfaces of the rims wear with use. There is a small indent on the braking surface next to the valve; this acts as a wear indicator. When the rim wears so that this indent is no longer present, the rim should be replaced. Look for this symbol on the wheel rims.



100-MILE SERVICE Certain items on any bicycle take time to bed in; to avoid damage, these need attention soon after you have bought the bike. We recommend having your Brompton checked by a qualified mechanic after the first 100 miles or 1-month (whichever ever comes sooner). They should pay particular attention to the following items:

SPOKES The tension of the spokes should be checked and adjustments made to suit. If a spoke becomes loose for any reason, neighbouring spokes will be carrying extra load and may fail.

CRANK AXLE BOLTS & PEDALS These must be checked for tightness. The correct torque is 30Nm; the thread for the LH pedal is left hand).

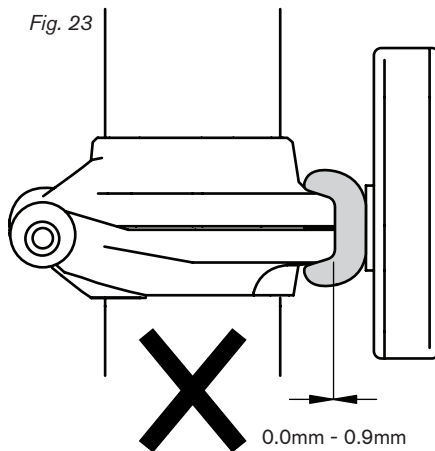
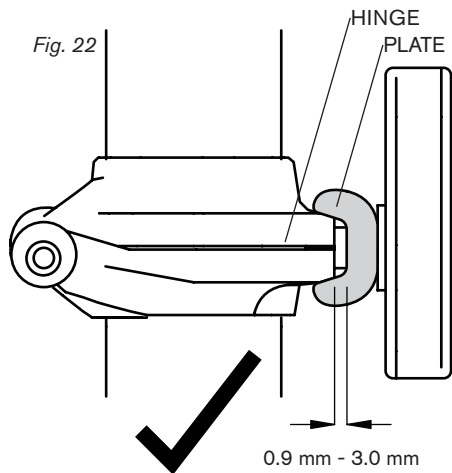
CABLES Although the brake and gear cables are pre-stretched, inevitably there is further initial stretch. As this affects hub-gear control, the gears should be checked for correct adjustment. It's well worth setting the brakes at the same time.

SEATPOST SLEEVE The seatpost slides up and down in a plastic sleeve inside the frame, this is a wearing part that will need replacing periodically. If the seatpost is slipping when riding or the seatpost quick release clamp nut has to be over tightened to clamp the post it could be that the sleeve is worn excessively and needs replacing. The worn sleeve can eventually cause damage to the frame itself if not replaced. Replacing the sleeve requires specialist tools and should be done by an authorised Brompton dealer.

REAR HINGE Over time the bushes in the rear frame pivot can wear, slight play will become detectable. In order to remove the play the bushes need to be replaced. This work should be undertaken by an authorised Brompton dealer, specialist tools are needed to carry out the work.

HINGE CLAMP PLATE If the plate is worn or damaged it could reduce the effectiveness of the hinge clamping and should be inspected regularly and replaced when needed. The gap between the hinge castings and the hinge clamp plate (fig. 22) when the lever is tightened, on both the handlebar hinge and the mainframe hinge should measure between 0.90mm to 3.00mm. These parts should be checked regularly and replaced when necessary.

If the gap between the hinge and hinge clamp plate is less than 0.90 mm (fig. 23) replace the hinge clamp plate. The bike should not be ridden if there is no gap between the hinge clamp plate and the hinge, until the plate is replaced.



WARRANTY

If your registered bicycle has a manufacturing defect, we will replace the defective part free of charge if we are notified within seven years (in the case of the frame, two years if not registered) or two years (in the case of other parts) of the date of first purchase of the bicycle. The Brompton is for use on roads and well-made paths. It is not designed for cross-country riding: this can overstress the frame, and the tyres and wheels are unsuitable.

MY BROMPTON This section of the Brompton website allows owners to record the details of their bike(s), so that they can be contacted if the need arises, registering the bike is required to activate the 7-year warranty on main frame components. The information will remain on the Brompton database and will not be passed on to third parties <https://www.brompton.com>

SERIAL AND FRAME NUMBERS The label at the back of the seat tube on the main frame carries the 10 digit serial number. The 6 digit frame number is stamped on the main frame just forward of the rear suspension pivot: it's a good idea to keep a record of both numbers. Record your numbers in the blank pages at the back of this manual.

BROMPTON WARRANTY TERMS & CONDITIONS

Thank you for choosing a Brompton bicycle. Your bicycle is the product of Brompton's use of proven engineering, extensive testing, and continuous striving for superior reliability, safety, and performance. You can maintain maximum protection under these warranty terms by ensuring your bicycle is serviced in accordance with the recommendations in the owner's manual. Please keep records of all maintenance carried out by your authorised Brompton dealer and please ensure you make these service records available to your Brompton Dealer, if requested, whenever service, repair or warranty work is undertaken on your bicycle.

All new Brompton bicycles registered in the My Brompton section of our website are covered by a 7-year unlimited mileage warranty for the main frame components, commencing from the date of sale. Other non-wearing parts on your bicycle (crank arms, brake calipers, mudguards, etc.) are covered by a 2-year warranty. Please ensure that you keep your sales invoice in a safe place for future reference. Brompton Bicycles not registered in the My Brompton section of our website are subject to a 2-year unlimited mileage warranty on the main frame components, commencing from the date of sale.

Within these warranty periods, Brompton Bicycle Ltd warrants the new Brompton bicycle to be free from any defect in materials used in the manufacture, and/or workmanship at the time of its manufacture.

- Any part found to be defective during this period will be repaired or replaced by an authorised Brompton Dealer or Distributor, or by the factory, at the discretion of Brompton Bicycle Ltd
- Any part replaced under the warranty terms will be covered for the remaining period of the warranty of the bike
- Any parts replaced under warranty must be returned to Brompton Bicycle Ltd by the dealer and/or distributor and will become the property of Brompton Bicycle Ltd
- Brompton may, at its discretion, make repairs or replacement of defective parts falling outside the warranty period, but such work shall not be deemed to be any admission of liability
- Brompton will bear the labour charges for work carried out under warranty
- The warranty may be transferred to subsequent owners for the balance of the remaining period.

continued on next page

Conditions and Exclusions:

1. We recommend having your Brompton checked by a qualified mechanic after the first 100 miles or 1-month (which ever comes sooner) as some items take time to bed in and may need adjusting to avoid damage.
2. Routine replacements: this section of the Owner's Manual, outlines the components on the bike that will need to be replaced under routine maintenance and service of the bike. These guidelines must be followed, particularly taking into account the mileage that the bike covers, as this will affect the function of many components e.g. brake cables, chain, sprockets etc. The mileage and usage will also affect the expected life of aluminium components, which should be replaced every 5000 miles of use (or sooner if particularly hard/heavy use) and do not, therefore, come within the warranty terms for the bike, detailed above.
3. The warranty described above is only valid within the country in which the bicycle was purchased.
4. Bikes exported from one country to another will be supported, within the warranty period, by the free issue of parts from the factory, where necessary. However, the Brompton distributor or dealer in the new country will normally charge for the labour required to undertake warranty repairs, and for any import duty levied on the free-issued parts.
5. The bike must not have been used for unauthorised competition, misused*, inadequately maintained, or incorrectly serviced or maintained.
6. The bike must not have been subject to any modification, repair or replacement other than as authorised by Brompton Bicycle Ltd.
7. The bike must have been serviced by an authorised Brompton Dealer.
8. Defects caused by faulty adjustment, or repairs and alterations performed by a non-authorized Brompton Dealer, are not covered by this warranty.
9. Defects caused by the use of parts and accessories not authorised by Brompton Bicycle Ltd are not covered by this warranty.
10. The warranty does not cover the cost of removal and replacement of parts and accessories, unless supplied as original equipment, or recommended by Brompton Bicycle Ltd.
11. Components which are expected to wear as part of their normal function, such as tyres, bulbs, chains, sprockets, brake pads etc. are excluded from the terms of this warranty, unless there is a manufacturing defect in the part.
12. Other items excluded from warranty are the saddle, luggage, paint, chrome, polished aluminium items, or decal where deterioration has been caused by normal wear and tear, exposure or lack of correct maintenance.
13. Any battery supplied with the bicycle is excluded from warranty, save for any leak that is present at the time of delivery.
14. The warranty does not cover bikes used on a commercial basis, e.g. by couriers or despatch riders, etc.
15. The warranty does not cover defects which have not been reported to an authorised dealer within ten days of discovery of the defect.
16. Your bicycle will require more frequent servicing if operated in severe climates or conditions, such as a marine environment or heavily salt-treated roads; in deep snow (above half axle height); in very dusty/sandy terrain. Such environments will potentially cause premature failure of finishes to the frame and components, and such deterioration is excluded from these warranty terms. Brompton Bicycle Ltd has taken great care in the selection of materials, plating and painting techniques so as to provide its customers with a quality cosmetic appearance allied to durability. However, where your bicycle is often used in hostile environmental conditions such as those indicated, it is essential that the bicycle is washed, dried and that lost lubrication is replaced to ensure your bike remains in the best condition. Your dealer can provide further information and advice if required. Ultimately, the appearance of your bicycle will very much depend on the care it receives.
17. Should a warranty claim become necessary, Brompton Bicycle Ltd and its Distributors or Dealers shall not be liable for the cost of transportation of the bicycle to or from the authorised Brompton Dealer, or for expenses incurred while the bicycle is off the road, including costs associated with loss of use, inconvenience, lost time, commercial losses or other incidental or consequential damages.

This warranty shall be interpreted in accordance with English law and any question arising from this warranty shall be subject to the jurisdiction of the English courts.

Any statement, condition, representation, description or warranty otherwise contained in any catalogue, advertisement or other publication shall not be construed as enlarging, varying or overriding anything contained herein.

Brompton Bicycle Ltd reserves the right to make alterations or improvements, without notification, to any model or machine, without obligation to do so to bicycles already sold.

This warranty does not affect your statutory rights.

* Misuse includes any use not in accordance with the recommendations made in the owner's manual, and any use contrary to the warnings given in that same handbook. In addition, misuse will include, but not be limited to, any use of the bicycle which does not constitute normal road use, as your Brompton is intended for use on roads and well-made paths. It is not designed for cross country riding, which can overstress the frame and for which the tyres and wheels are unsuitable.



BROMPTON BICYCLE LTD
Unit 1 Greenford Park
Ockham Drive
Greenford
Middlesex
UB6 0FD
© Brompton Bicycle Ltd 2020

OM9-2

ISO 4210-2
CITY AND TREKKING BICYCLES

CPSC 16 CFR 1512



BROMPTON



P Line

Manuel du propriétaire

OM9-2

ISO 4210-2
BICYCLETTES DE VILLE ET DE RANDONNÉE

CPSC 16 CFR 1512

PIÈCES

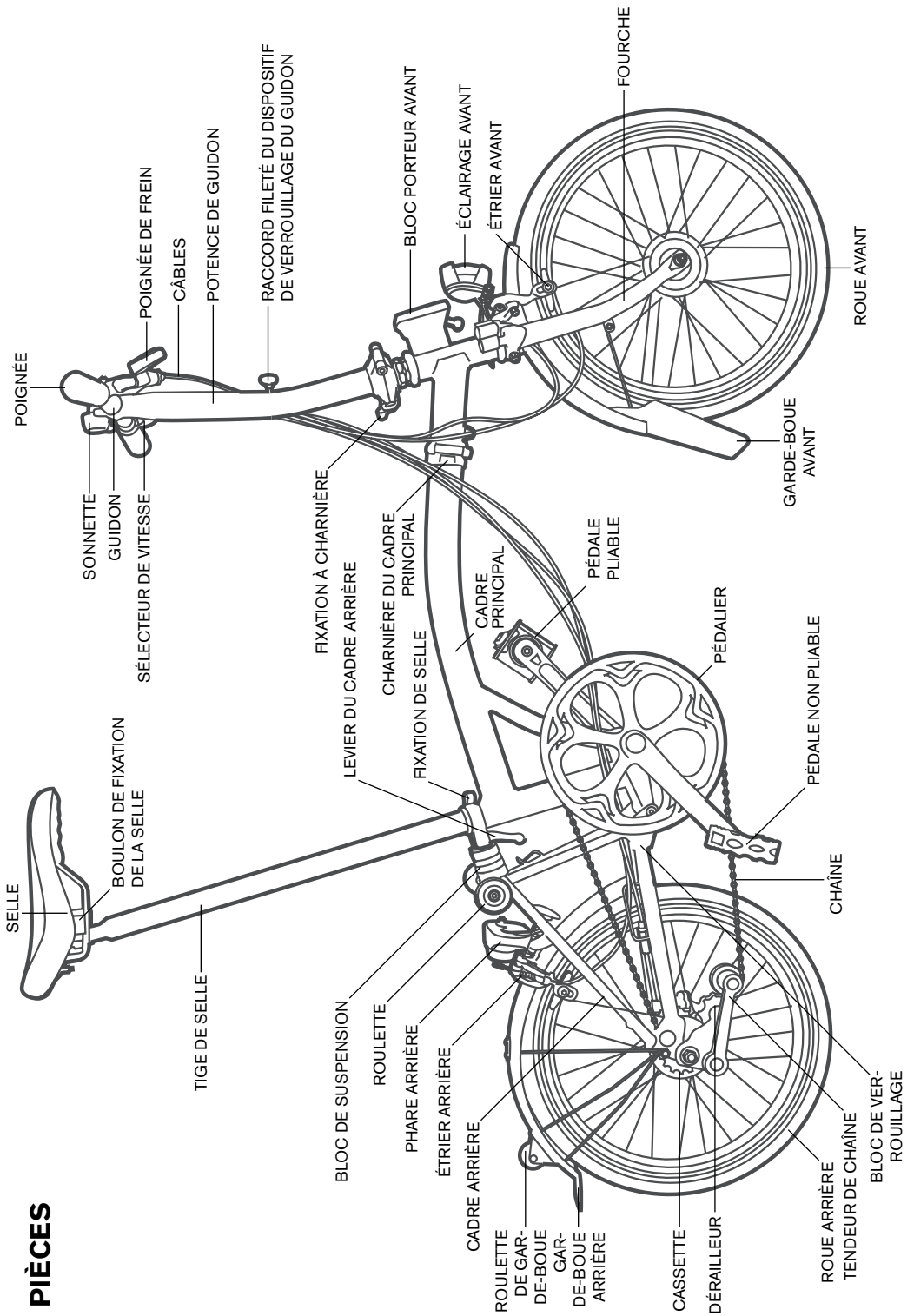


TABLE DES MATIÈRES

INTRODUCTION	36
SÉCURITÉ	37
DÉPLIAGE	38
PLIAGE	42
BLOC DE VERROUILLAGE	45
UTILISATION DU BROMPTON P LINE	46
VITESSES	47
FREINS	51
ÉCLAIRAGE	51
ATTACHE DU CADRE ARRIÈRE	51
BAGAGES	52
NETTOYAGE ET LUBRIFICATION	53
RÉGLAGE DE LA POSITION DE LA SELLE	54
INSTALLATION DE L'INSERT DE HAUTEUR DE SELLE	55
RÉGLAGE DES POIGNÉES DE FREIN	57
DÉMONTAGE ET MONTAGE DE LA ROUE ARRIÈRE	59
REPLACEMENTS DE ROUTINE	60
GARANTIE	62



INTRODUCTION

Avant d'utiliser votre Brompton, veuillez lire ce manuel et noter particulièrement les sections relatives à la sécurité et au pliage. Bien que ce manuel puisse être considéré comme un guide, il ne constitue pas un guide complet du cyclisme ou d'entretien d'une bicyclette.



Vous devez enregistrer votre vélo dans la section My Brompton de notre site web afin d'activer votre garantie prolongée de 7 ans et d'archiver les détails de votre vélo ; ainsi, si votre vélo venait à être volé ou si nous avons besoin de vous contacter, nous aurons un dossier auquel nous reporter. Vous serez invité à entrer le numéro de série et le numéro du cadre : le numéro de série se trouve sur une plaque à l'arrière du cadre principal ; le numéro de cadre est estampé sur le cadre principal, à proximité du jeu de pédalier. Ces informations resteront dans la base de données de Brompton et ne seront transmises à aucun tiers <https://www.brompton.com>

Si vous procédez à des réglages ou un entretien vous-même, veuillez lire au préalable les sections correspondantes du manuel, car il est facile de se tromper et de nuire au processus de pliage ou d'endommager votre bicyclette. Ce manuel contient des astuces et des conseils pour l'utilisation de votre Brompton, mais si vous n'êtes pas sûr de la manière d'entretenir votre bicyclette, rendez-vous auprès d'un revendeur Brompton agréé pour bénéficier d'un conseil d'expert. Pour obtenir une liste des revendeurs, rendez-vous sur notre site web : <https://www.brompton.com/Find-a-Store>

Nous vous recommandons de faire régulièrement inspecter et entretenir votre Brompton par un revendeur Brompton.

Ce manuel est conforme à la norme ISO 4210-2

TRANSPORTER ET POUSSER LA BICYCLETTE PLIÉE

- Les propriétaires sont à tout moment responsables de l'évaluation de la manière dont ils utilisent leur bicyclette et doivent veiller à leur sécurité et à leur bien-être lorsqu'ils circulent à vélo, qu'ils le déplacent ou le transportent
- Brompton ne peut être tenu responsable des blessures provoquées lors du levage et de la manipulation d'une bicyclette pliée
- Une bicyclette Brompton pèse entre 9 et 14 kg selon l'équipement installé
- Un bagage installé sur le bloc porteur avant peut également peser jusqu'à 10 kg
- Les propriétaires doivent tenir compte du poids de leur bicyclette et des bagages lorsqu'ils envisagent de la soulever ou de la transporter en fonction de leurs capacités physiques ; il convient également de tenir compte des circonstances, notamment de la route, de l'état du revêtement, etc. avant de soulever et/ou de transporter la bicyclette et les bagages
- Les propriétaires doivent toujours retirer les bagages de leur bicyclette pliée afin de ne pas tenter de soulever ou de transporter le poids combiné de la bicyclette et des bagages
- Chaque fois que vous ne pouvez plus monter sur votre Brompton, par exemple dans une gare, vous devez commencer par la pousser aussi longtemps que possible, puis la plier et la faire rouler sur ses roulettes arrière avant de la transporter sur la plus courte distance possible
- Il est recommandé de transporter la bicyclette pliée d'une seule main, la position la plus confortable consistant à placer votre bras le long du corps en laissant la bicyclette reposer sur votre flanc. La bicyclette doit être tenue par la selle ou au niveau du cadre principal, en dessous de la selle, en fonction de ce qui vous convient le mieux
- Si vous devez transporter la bicyclette sur une certaine distance, il peut s'avérer approprié de changer la bicyclette de main à intervalles appropriés en fonction de vos capacités.
- Le transport à deux mains de la bicyclette pliée n'est conseillé que sur de très courtes distances, car il faut alors la tenir au niveau de la poitrine/du ventre afin d'éviter qu'elle ne heurte vos jambes ou vos genoux ; il est pour cela nécessaire de plier les deux bras à un angle d'environ 90 degrés, ce qui exerce une contrainte supplémentaire sur vos bras

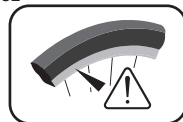
Les petites roulettes montées en standard sur un Brompton sont pratiques pour pousser la bicyclette pliée dans des espaces étroits. Avec le guidon relevé en tant que poignée, il est également possible de tirer la bicyclette pliée sur ces roulettes, bien que cela ne fonctionne que sur de courtes distances et sur une surface lisse. N'oubliez pas de relever légèrement la tige de selle par rapport à la position la plus basse afin que cela n'empêche pas de faire rouler la bicyclette, mais pas trop haut, ce qui déplierait la bicyclette. La bicyclette pliée n'est pas conçue pour être utilisée comme chaise ; ne vous asseyez pas dessus lorsqu'elle est pliée.

SÉCURITÉ

Le Brompton est conçu pour être utilisé sur les routes et chemins de bonne facture et pour transporter une charge maximale n'excédant pas 110 kg (poids du cycliste et des bagages inclus). Le Brompton n'est pas conçu pour les cascades, le cross-country ou les sports extrêmes. Votre Brompton doit être utilisé pour ce à quoi il est destiné. Une mauvaise utilisation peut rendre certains composants défectueux et annuler votre garantie Brompton. Nous ne recommandons pas d'installer un siège pour enfant ou une remorque sur le Brompton car cela annulerait la garantie Brompton.

Avant de rouler pour la première fois avec votre Brompton, et de manière régulière par la suite, accordez une attention particulière aux éléments suivants :

- Nous vous recommandons d'utiliser un casque de cyclisme homologué, même dans les pays où son utilisation n'est pas obligatoire
- Lisez et respectez les exigences légales nationales du pays dans lequel vous roulez et conformez-vous à l'ensemble de la réglementation routière applicable
- Assurez-vous que les jantes de la roue sont propres et intactes le long de la surface de freinage et vérifiez que les jantes ne sont pas excessivement usées. Si vous avez un doute sur la sécurité de vos jantes, faites-les inspecter par un revendeur Brompton agréé
- Vérifiez régulièrement les freins, les pneus et la direction
- Veillez à ce que les freins et à ce que les vitesses soient correctement réglés en toute circonstance et veillez à ce que les câbles de fonctionnement soient en bon état
- Par temps de pluie, il se peut que les freins soient moins efficaces et que les routes soient plus glissantes. Par conséquent, freinez plus tôt.
- Vérifiez que tous les écrous de roues sont correctement serrés (voir Tableau des couples, page 45)
- Au Royaume-Uni, la poignée de frein de gauche actionne le frein arrière et la poignée de frein de droite actionne le frein avant, cependant cela varie d'un pays à l'autre
- Lorsque vous roulez la nuit, portez un gilet de signalisation et utilisez les lumières (avant et arrière) ; vérifiez votre éclairage et assurez-vous qu'il est conforme à la réglementation locale



Avant ou après chaque trajet, accordez une attention particulière aux éléments suivants :

- Assurez-vous que le dispositif de fixation à libération rapide de la tige de selle est bien fixé et que la selle est à la bonne hauteur
- Assurez-vous que les brides de serrage à charnières sont mises en place, avec les leviers fermement serrés
- Pendant le pliage et le dépliage, et lorsque vous utilisez votre bicyclette, évitez de mettre les mains et les doigts aux endroits où ils pourraient être happés ou coincés
- Assurez-vous que le vélo est correctement plié ou déplié pour éviter d'éventuelles blessures

AVERTISSEMENT

De nombreux composants de vélo sont soumis à de fortes tensions. Avec un kilométrage élevé, des charges lourdes ou des conditions de conduite difficiles, ces composants finiront par atteindre la fin de leur durée de vie nominale ; l'alliage d'aluminium a en particulier une résistance limitée à la fatigue. Une mauvaise utilisation peut entraîner des blessures. Vous devez vérifier tout signe d'endommagement, de corrosion ou de fissure sur toutes les pièces porteuses et les remplacer si nécessaire. Veuillez vous rendre chez un revendeur Brompton agréé pour obtenir les conseils d'un spécialiste si vous n'êtes pas sûr.

La bicyclette ne doit être soumise à aucune modification, aucune réparation et aucun remplacement autres que ceux qui sont autorisés par Brompton Bicycle Ltd. Elle doit en outre être entretenue par un revendeur Brompton agréé.

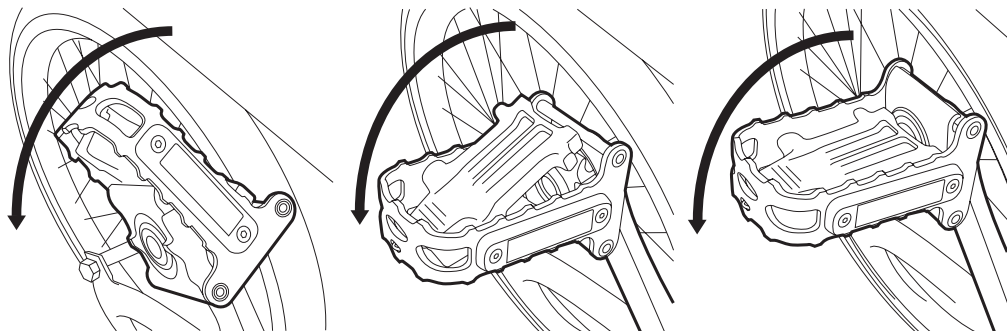
Si le vélo a fait l'objet d'un accident ou d'un choc, cessez aussitôt de l'utiliser et faites-le inspecter par un revendeur Brompton. Les composants endommagés doivent être remplacés avant de rouler à nouveau avec le vélo. Sur les pièces constituées d'aluminium, des rayures ou fissures profondes peuvent sérieusement nuire à la solidité de celles-ci et provoquer des défaillances prématurées.

Remarque : nous recommandons l'utilisation de pièces de remplacement Brompton d'origine pour les composants essentiels à la sécurité.

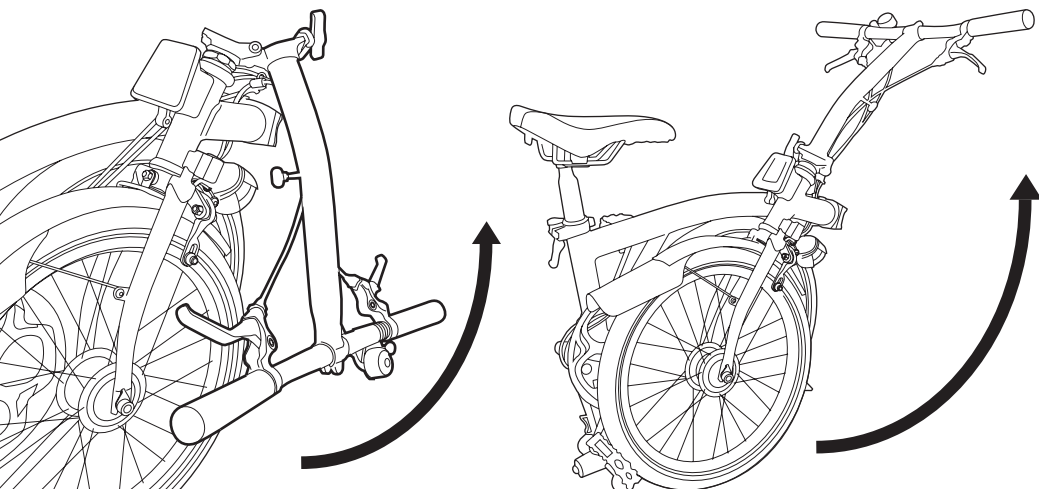
DÉPLIAGE DE LA BICYCLETTE

Passez un moment à observer la bicyclette pliée ; cela vous aidera lorsque vous devrez la replier.

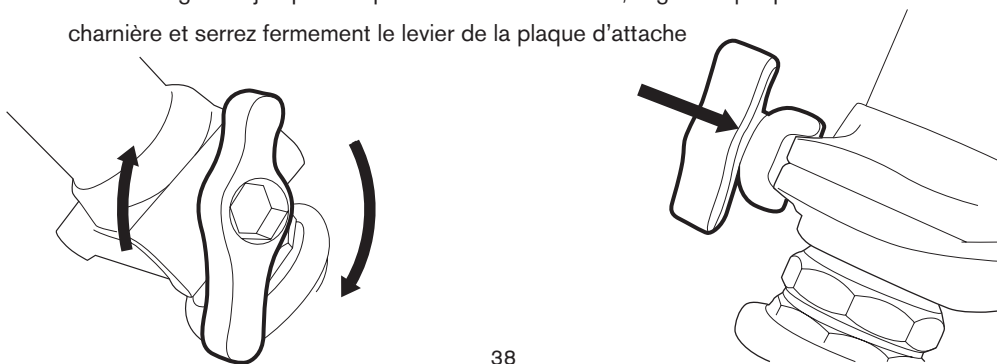
Tenez-vous à gauche (côté opposé à l'entraînement) de la bicyclette. Dépliez la pédale gauche en tirant la cage métallique dentée vers vous. Ce faisant, notez la manière la fermeture noire fonctionne car cela vous aidera lors du pliage.



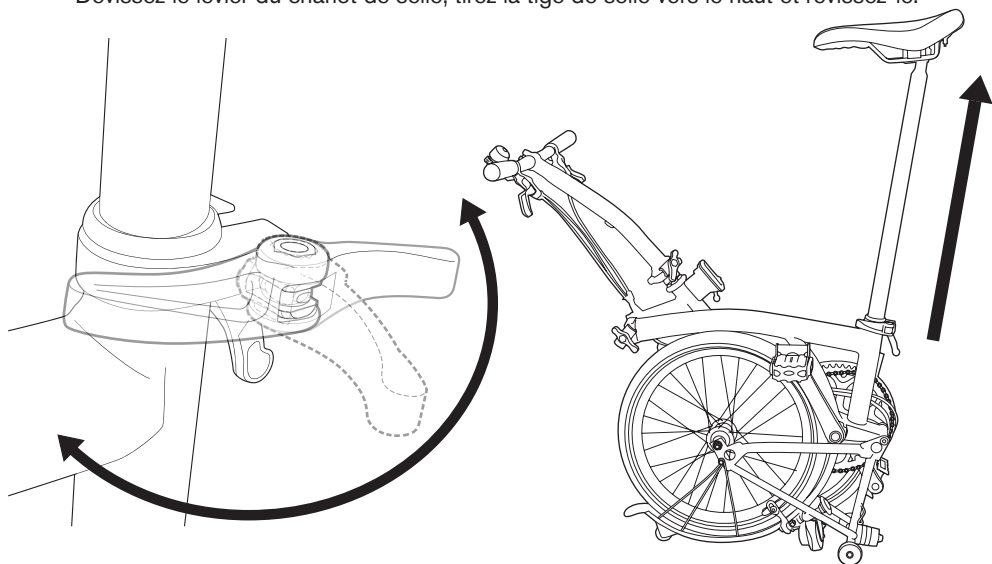
- Pour relever le guidon, poussez fermement sur l'extrémité de la poignée la plus proche de vous avec le plat de la main gauche



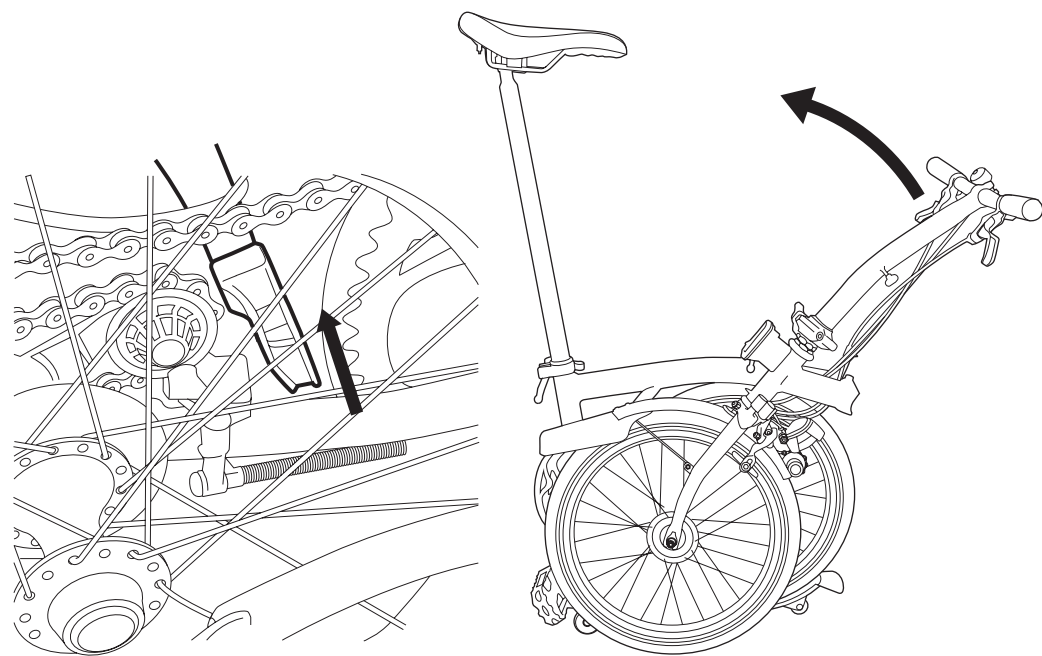
- Relevez le guidon jusqu'à ce que la charnière se ferme, alignez la plaque d'attache sur la charnière et serrez fermement le levier de la plaque d'attache



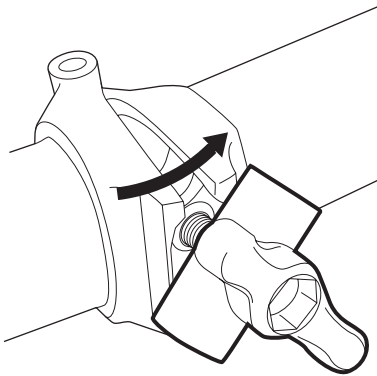
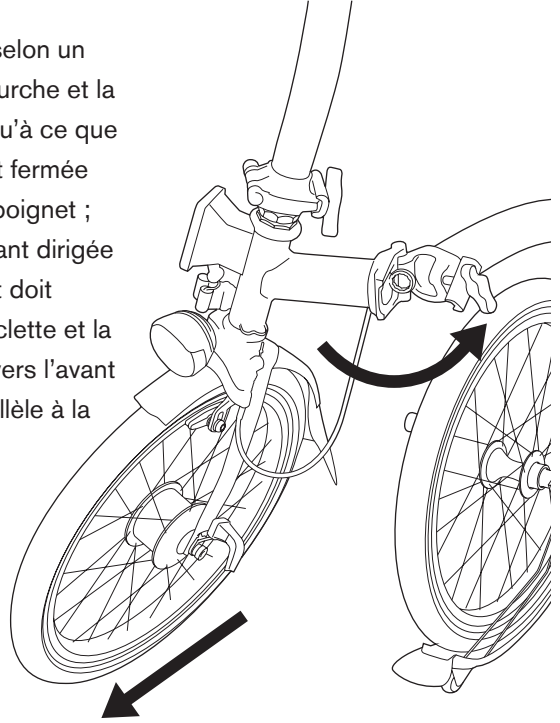
- Dévissez le levier du chariot de selle, tirez la tige de selle vers le haut et revissez-le.



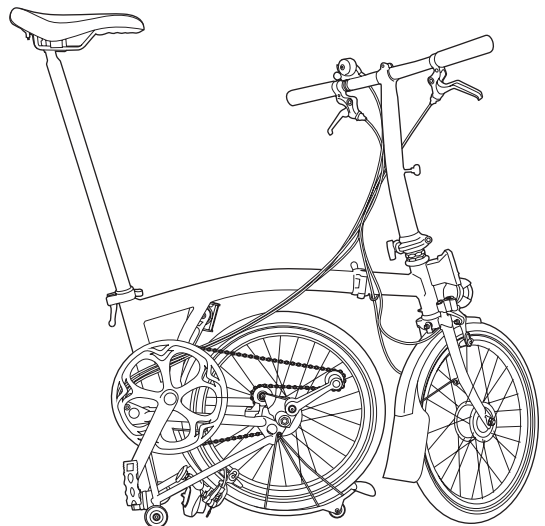
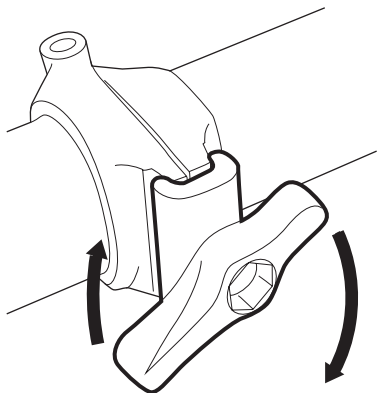
- Placez la main droite sur la selle et tenez la potence guidon de la main gauche, à proximité de la charnière
- Regardez l'endroit où la chaîne passe entre les deux roues et vous verrez le crochet noir qui maintient la roue avant sur le reste de la bicyclette
- Relevez la potence du guidon de la main gauche pour lever le crochet au-dessus du tube sur lequel il repose



- Éloignez la main gauche de vous selon un arc de cercle pour repousser la fourche et la roue avant par rapport à vous jusqu'à ce que la charnière du cadre principal soit fermée
- Ce faisant, ne vous tordez pas le poignet ; assurez-vous de laisser la roue avant dirigée dans la même direction, le crochet doit demeurer de votre côté de la bicyclette et la roue avant être orientée vers l'avant en faisant un petit angle (non parallèle à la roue arrière)

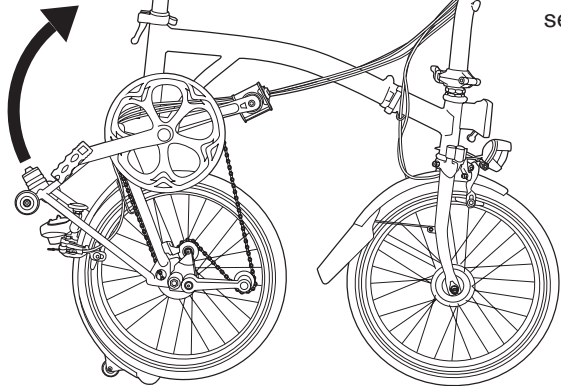


- La charnière du cadre principal doit maintenant être fermée
- Alignez la plaque d'attache de la charnière et serrez fermement le levier d'attache noir

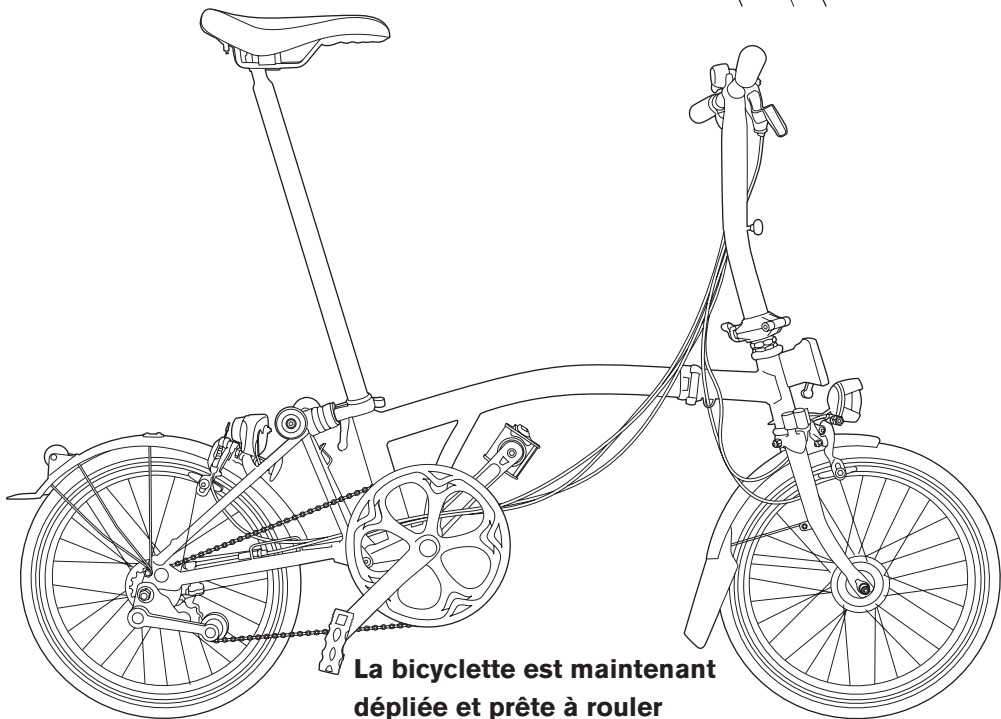
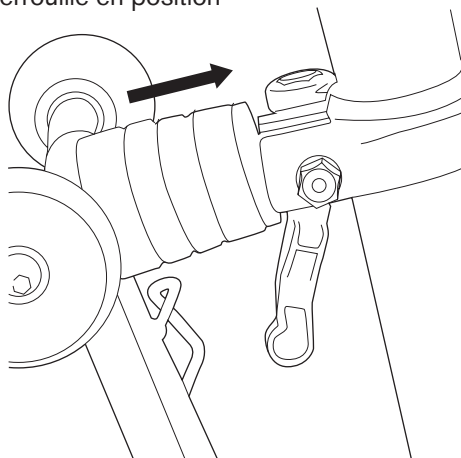


La bicyclette est maintenant en position « stationnée » : elle tient debout seule.

- Pour terminer le dépliage, tenez le guidon de la main gauche, la main droite soulevant rapidement la bicyclette par la selle et la roue arrière bascule vers l'arrière et se met en place



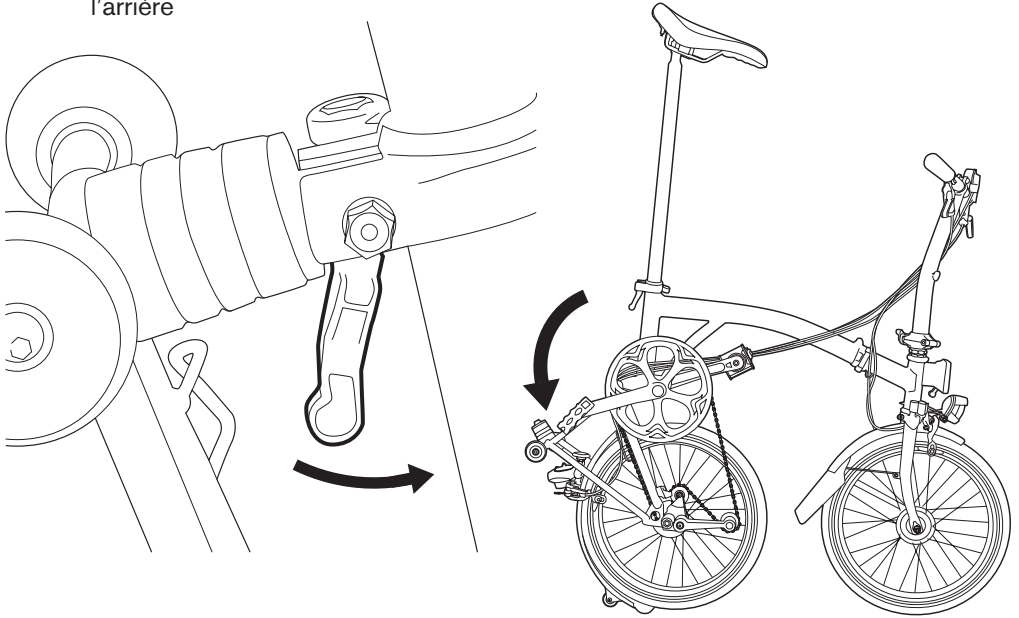
- Poussez la selle vers le bas pour vous assurer que le bloc de suspension appuie sur le cadre principal ; vous devez entendre un fort déclic lorsqu'il se verrouille en position



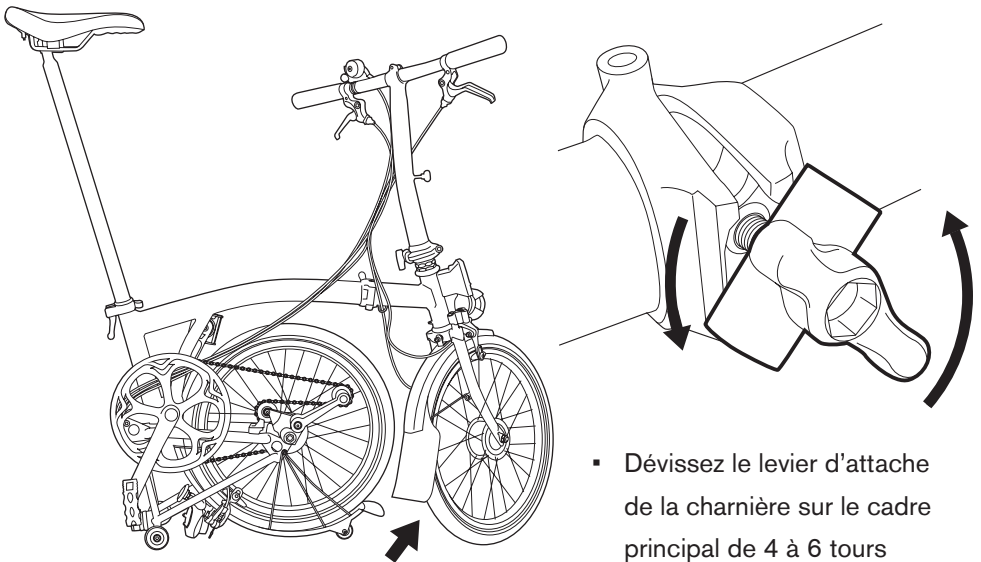
La bicyclette est maintenant dépliée et prête à rouler

PLIAGE DE LA BICYCLETTE

- Tournez légèrement le guidon vers la gauche afin qu'il ne soit pas parallèle à la roue arrière et faites tourner les pédales afin que la pédale de droite pointe vers l'arrière

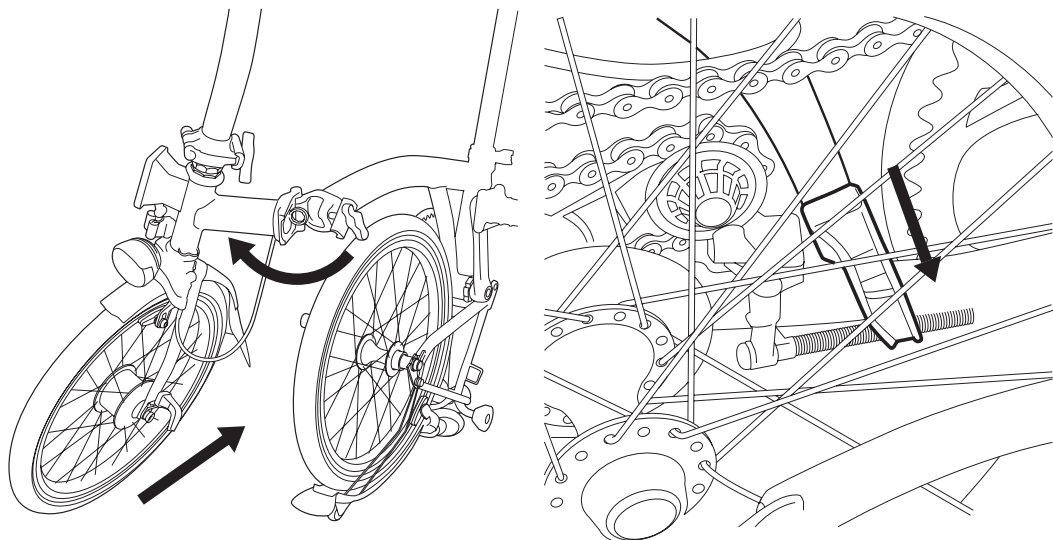


- Il y a un petit levier noir derrière et en dessous du chariot de selle. Poussez-le vers l'avant, puis soulevez rapidement l'arrière de la bicyclette afin que la roue arrière bascule sous le cadre, puis abaissez la bicyclette afin qu'elle repose en position « stationnée »

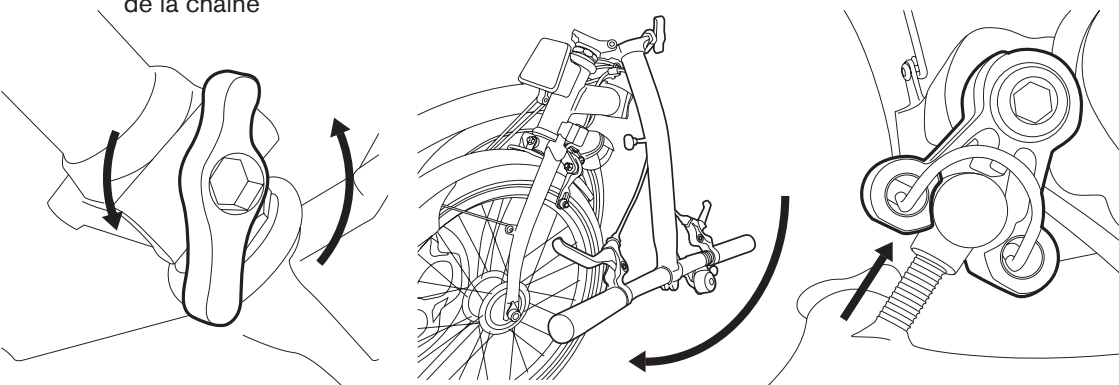


- Dévissez le levier d'attache de la charnière sur le cadre principal de 4 à 6 tours

- La main gauche tenant la potence du guidon au-dessus du raccord en plastique, faites basculer la roue avant vers la droite pour l'éloigner

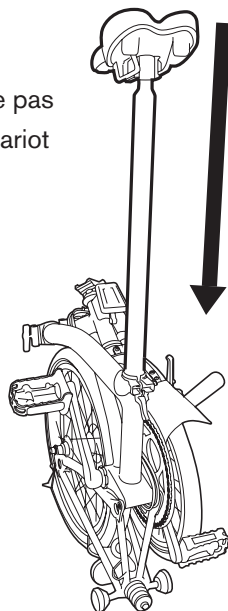
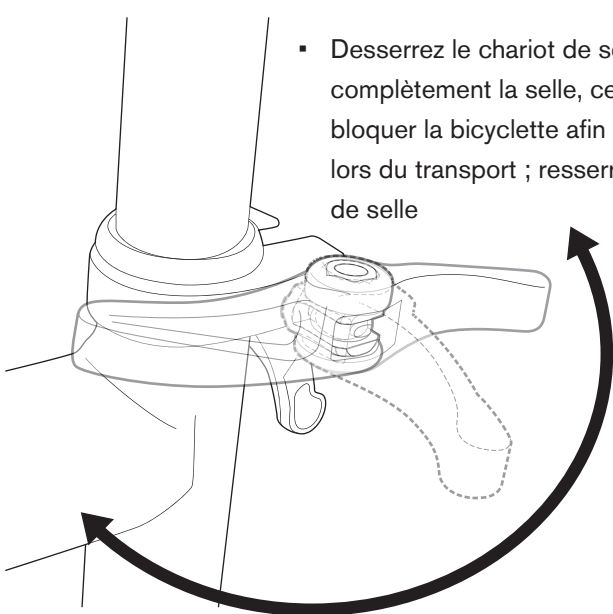


- Ramenez la potence en un mouvement tournant dans le sens des aiguilles d'une montre, sans vous tordre le poignet, et laissez le crochet face à vous jusqu'à ce que la roue avant se trouve le long de l'arrière ; vous pouvez être amené à lever légèrement l'avant de la bicyclette
- Abaissez le crochet noir sur le cadre arrière, en dessous de la section supérieure de la chaîne

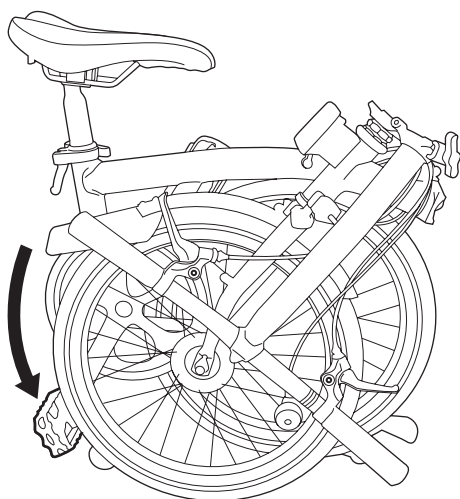


- Dévissez le levier de l'attache de la charnière sur la potence du guidon de 4 à 6 tours et laissez descendre la potence du guidon ; le raccord sur la potence du guidon s'adapte dans l'attache montée en haut de la fourche, ce qui permet de verrouiller fermement la bicyclette

- Desserrez le chariot de selle et abaissez complètement la selle, ce qui permet de bloquer la bicyclette afin qu'elle ne s'ouvre pas lors du transport ; resserrez le levier du chariot de selle



- Relevez la pédale de gauche ; la pédale de droite doit rentrer sous la roue avant
- Pliez suffisamment la pédale de gauche en appuyant vers le haut sur la plaque noire centrale afin qu'elle puisse passer sur la manivelle et en position verticale
- Si vous ne parvenez pas à soulever la plaque, retournez la pédale et réessayez



La bicyclette est maintenant pliée et prête à être soulevée et transportée. Les selles Brompton sont dotées d'une plaque de saisie personnalisée située en dessous du nez de la selle.

La pédale de gauche ne doit pas être pliée lorsque vous tournez les manivelles car elle peut accrocher des parties du cadre arrière et endommager votre bicyclette.

BLOC DE VERROUILLAGE

AJUSTEMENT

Lorsque vous soulevez le vélo plié, il ne peut pas se déplier car le bloc de verrouillage LB entre en contact avec la tige de selle SP pour empêcher le cadre arrière de bouger. Le bloc LB peut être ajusté de manière à obtenir le bon intervalle entre lui et la tige SP. Si cet intervalle est trop réduit, la tige se coincera sur le bloc lorsque vous plierez le vélo, et s'il est trop large, le vélo plié risque de se déplier partiellement lorsque vous l'emporterez.

Il est plus simple d'apporter ces ajustements au LB lorsque le vélo est entièrement plié et que la tige de selle est levée. Lorsque la tige de selle est levée, assurez-vous qu'elle est verrouillée en place à l'aide du chariot de selle.

Pour réduire l'intervalle entre le bloc LB et la tige SP (fig. 1), à l'aide d'une clé Allen de 4 mm, dévissez la vis captive à tête creuse qui se trouve à l'intérieur du bloc LB d'un demi-tour à la fois puis abaissez la tige de selle pour vérifier l'intervalle. Si l'intervalle est toujours trop large, dévissez à nouveau d'un demi-tour et revérifiez la tige de selle. Répétez ce processus jusqu'à ce que vous obteniez la taille d'intervalle appropriée.

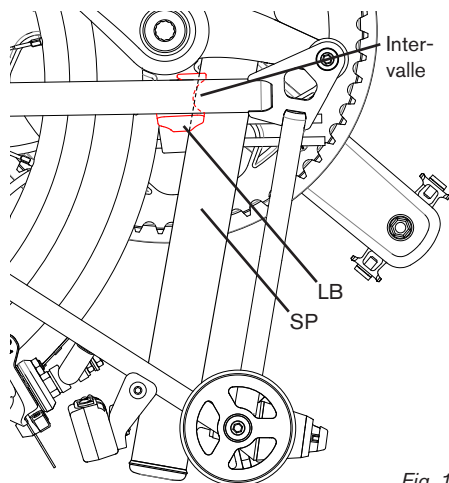


Fig. 1

POUSSER/TIRER LE VÉLO LORSQU'IL EST PLIÉ

Il est possible de pousser/tirer le vélo lorsqu'il est plié au lieu de le ramasser pour le transporter. En position pliée, levez la selle jusqu'à ce que le bas de la tige de selle entre en contact avec le bloc de verrouillage (fig. 2). Étant donné que le bloc de verrouillage est encore en contacts avec la tige de selle, le vélo est encore bien fixé en position pliée, mais avec sa selle légèrement levée. La selle levée peut être utilisée comme poignée pour pousser/tirer le vélo.

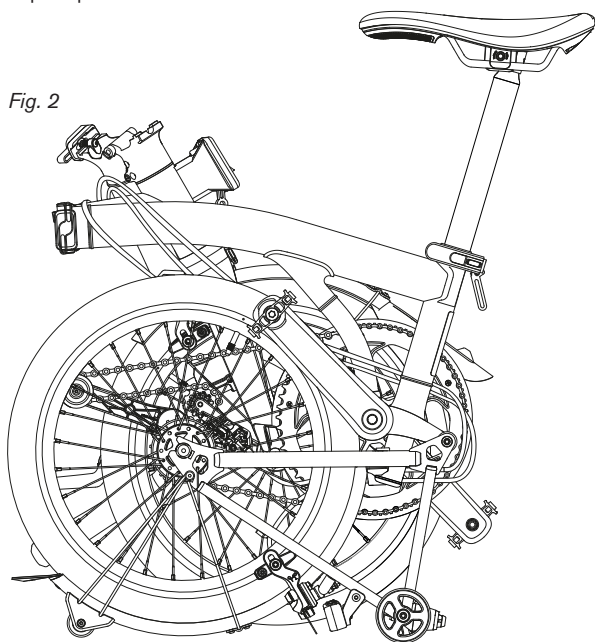


Fig. 2

UTILISATION DU BROMPTON

PRESSIION DES PNEUS

La pression des pneus est importante, aussi bien pour votre confort que pour votre sécurité. Pour garantir un trajet sécurisé et confortable, veuillez prendre en compte les conseils suivants.

Il est important que vos pneus restent bien gonflés ; des pneus dégonflés augmentent les efforts de pédalage (qui enlèvent au vélo son côté divertissant), usent les pneus rapidement et ont un impact négatif sur son maniement. **Nous vous recommandons fortement de garder vos pneus bien gonflés.**

La pression la plus appropriée dépend de votre poids et de vos goûts. Il est également important de se rappeler qu'un pneu très dur n'est pas toujours le plus rapide. Un pneu dur s'avérera plus rapide sur vélodrome, mais un pneu à plus faible pression se déformera plus facilement sur routes accidentées et irrégulières, permettant ainsi de rouler plus rapidement et plus confortablement. En général, il est recommandé d'avoir une pression légèrement inférieure sur la roue avant et légèrement supérieure sur la roue arrière ; cela pour tenir compte de la distribution inégale du poids entre les deux pneus.

Les bicyclettes Brompton sont dotées de valves Schrader, ce qui autorise différentes méthodes de gonflage. La pompe Brompton est installée sur le cadre arrière sur les Brompton tout-acier avec garde-boue. Lorsque vous remettez la pompe en place sur la bicyclette, assurez-vous qu'elle est complètement engagée dans les supports de pompe sur le cadre arrière. Vous pouvez également utiliser une pompe à pied ou à main, ou encore une pompe à air dans une station service.

Le tableau ci-dessous indique les pressions de pneus recommandées pour les pneus fournis sur votre bicyclette Brompton P Line.

	MARATHON RACER		SCHWALBE ONE		CONTINENTAL CONTACT URBAN	
	MIN (psi)	MAX (psi)	MIN (psi)	MAX (psi)	MIN (psi)	MAX (psi)
AVANT	65	110	65	100	65	116
ARRIÈRE	65	110	65	100	65	116

VALEURS DE COUPLE

Voici une liste des valeurs de couple pour les principales pièces.

Ces pièces doivent être vérifiées régulièrement, notamment les procédures de routine d'entretien et de réparation de la bicyclette.

Si des pièces ne sont pas serrées au bon couple, cela peut entraîner un endommagement ou une défaillance des pièces en question. Cela peut entraîner une perte de contrôle du vélo conduisant à un accident.

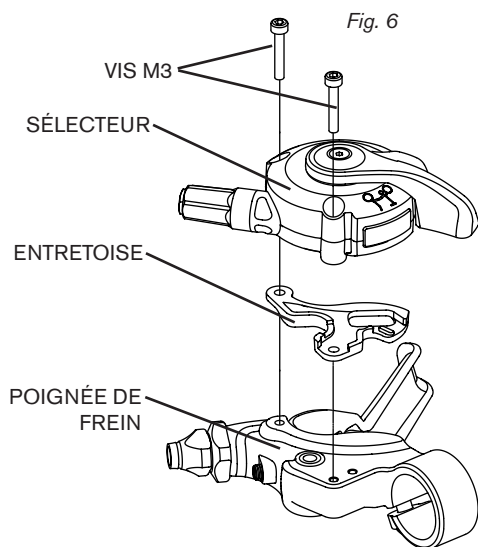
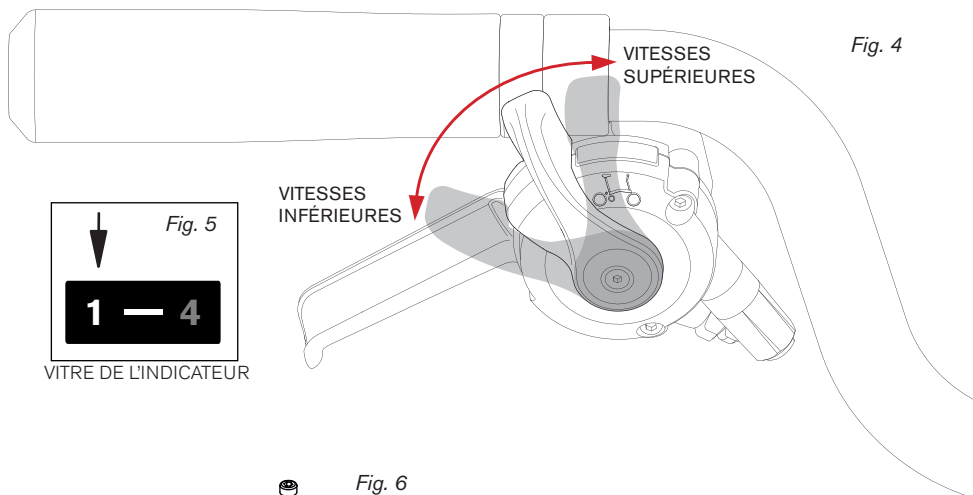
* N'essayez jamais de changer la hauteur de la potence de guidon à l'endroit où elle entre dans la fourche avant. Elle doit être entièrement insérée dans la fourche jusqu'à la butée. Si vous ajustez l'alignement du guidon avec la roue avant, assurez-vous que le boulon de fixation est correctement serré avant de rouler avec le vélo.

Si la potence de guidon n'est pas entièrement insérée ou correctement serrée, cela peut entraîner un mouvement ou une défaillance de la pièce lors de son utilisation.

Nom de la pièce	Couple (Nm)
Fixation de la roue avant	7
Fixation de la roue arrière	7
Boulons de poignée de frein	2
Écrou de maintien du tendeur de chaîne	5
Boulons de plateau	10
Boulons de manivelle	30
Axe de roue avant pour les roues à dynamo/Superlight	8
Boulons de fixation du bloc porteur avant	4.5
Boulon de fixation du crochet de roue avant	3.5
Boulon d'extension du support de guidon*	30
Boulon du clip de fixation du guidon	9
Boulon de fixation du guidon	18
Écrou d'étrier de frein	8
Boulon de fixation du câble de frein (étrier)	8
Pédales	30
Boulon de fixation de la selle	10
Fixations du hauban de garde-boue	2
Boulon de la charnière arrière	10
Vis de fixation du dérailleur	2

BROMPTON 4 VITESSES

Le sélecteur à 4 vitesses repose sur une manette à retour automatique qui permet d'alterner entre les quatre vitesses. Poussez cette manette vers le bas avec votre pouce pour passer à un développement plus petit, et actionnez-la vers le haut pour passer à un développement plus grand (Fig. 4). Nous vous recommandons de changer de vitesse tout en pédalant pour que le changement soit plus fluide et pour éviter d'endommager les pièces concernées. L'indicateur vous montrera la vitesse sélectionnée (fig. 4, 5).



INSTALLATION DU SÉLECTEUR

Le sélecteur s'installe directement sur la poignée de frein de gauche. Il est maintenu en place par deux vis M3. Elles doivent être serrées avec un couple de **0.6 Nm**. Ne les serrez pas excessivement, car cela pourrait entraîner une réduction des performances du sélecteur et en endommager les pièces.

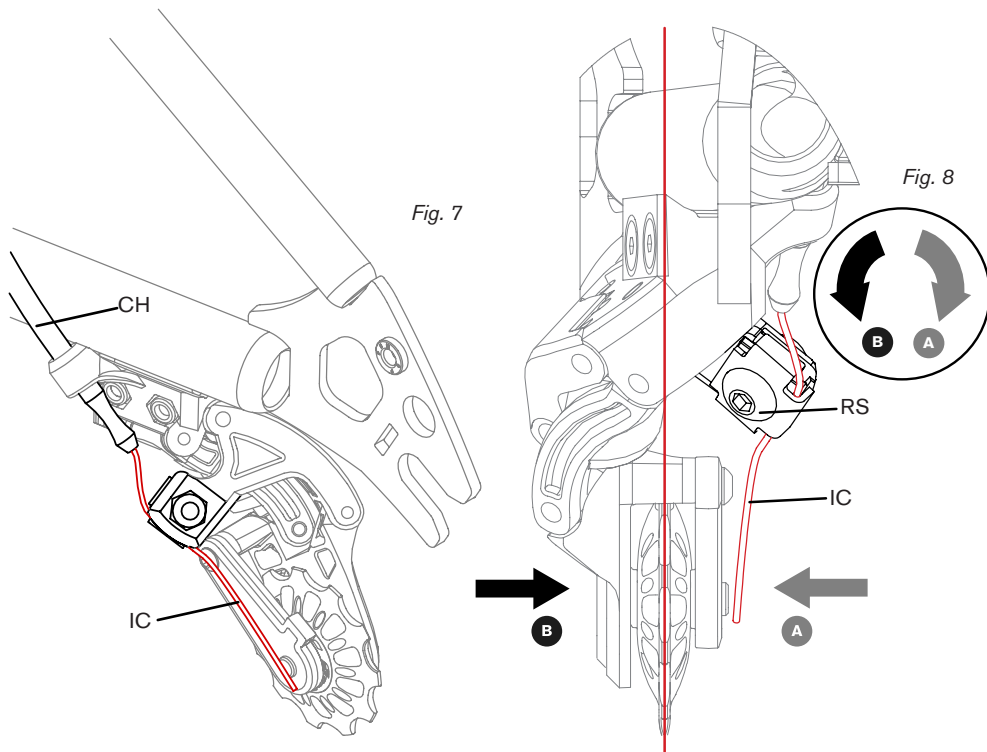
De série, une entretoise (fig. 6) est installée entre le sélecteur et la poignée de frein. Cette entretoise est essentielle, car elle assure l'espacement nécessaire entre la manette de vitesse et la poignée.

ENTRETIEN

Il est essentiel que les pièces fonctionnelles clés, comme la chaîne, la cassette et le dérailleur, soient maintenues propres et lubrifiées. Si ces pièces restent propres, leur durée de vie sera prolongée et elles fonctionneront mieux. S'il y a une accumulation de graisse et de saleté sur la transmission, il est possible que les vitesses ne fonctionnent pas correctement.

AJUSTEMENT

Si les vitesses deviennent plus bruyants qu'à la normale ou commencent à sauter et que cela n'est pas dû à de la boue ou de la saleté sur les pièces, cela peut être dû à l'étirement du câble. Cela est particulièrement courant sur les nouveaux vélos ou lorsque de nouveaux câbles ont été installés. Il est possible d'y remédier en augmentant la tension du câble ; **reportez-vous aux instructions de tension du câble ci-dessous**. Un mauvais alignement du dérailleur peut également entraîner le même problème bien que cela affecte habituellement le plus petit et le plus grand développement. Dans ce cas, il vous faudra ajuster les deux vis de butée LS présentes sur l'extérieur du dérailleur. **Reportez-vous aux instructions relatives aux vis de butée figurant ci-dessous**.



TENSION DU CÂBLE

Pour augmenter la tension perdue en raison d'un étirement du câble, placez le vélo sur un pied d'atelier. Dévissez l'ajusteur de barillet (fig. 10) vers l'extérieur d'un quart de tour à la fois, en pédalant à chaque quart tout en écoutant la réduction de bruit. Vous pouvez également effectuer une vérification visuelle pour vous assurer que le galet du dérailleur est bien aligné avec le pignon sélectionné sur la cassette. Si le vélo ne parvient pas à atteindre le plus grand pignon, cela signifie qu'une tension excessive a été ajoutée, donc vissez l'ajusteur de barillet vers l'intérieur pour y remédier (fig. 10). Si cela ne résout pas le problème d'origine, passez au plus petit pignon sur la cassette, puis desserrez le boulon maintenant le câble en place à l'intérieur du dérailleur (fig. 7, 8). Utilisez une petite pince pour tirer l'extrémité du câble interne IC afin d'augmenter la tension du câble, puis serrez le boulon RS (fig. 8).

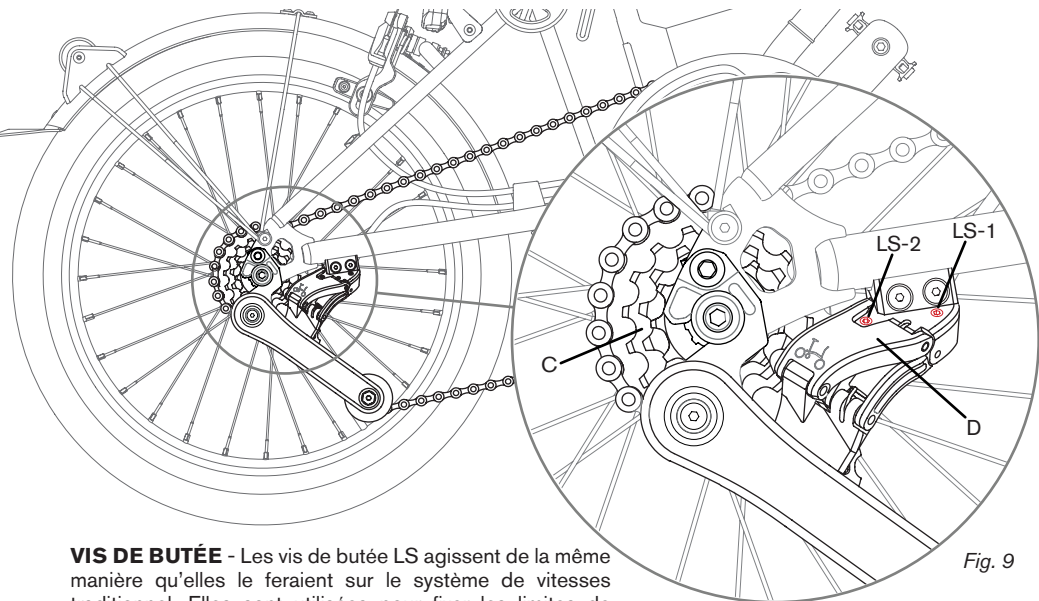


Fig. 9

VIS DE BUTÉE - Les vis de butée LS agissent de la même manière qu'elles le feraient sur le système de vitesses traditionnel. Elles sont utilisées pour fixer les limites de distance auxquelles le dérailleur peut porter la chaîne vers l'intérieur ou l'extérieur. En cas de problème pour atteindre le développement le plus petit ou le plus grand, cela signifie peut-être que la vis de butée doit être ajustée.

LS-1 s'utilise pour générer l'alignement sur le plus grand pignon de la cassette. **LS-2** pour le plus petit (fig. 8).

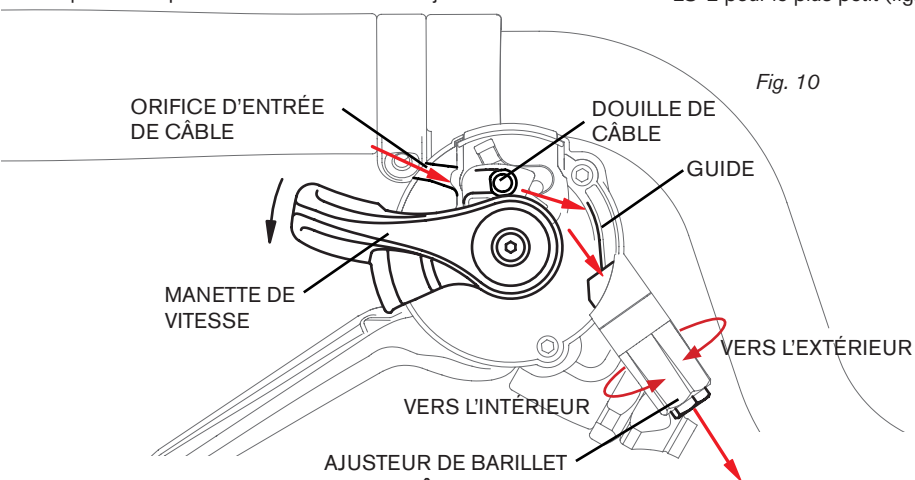


Fig. 10

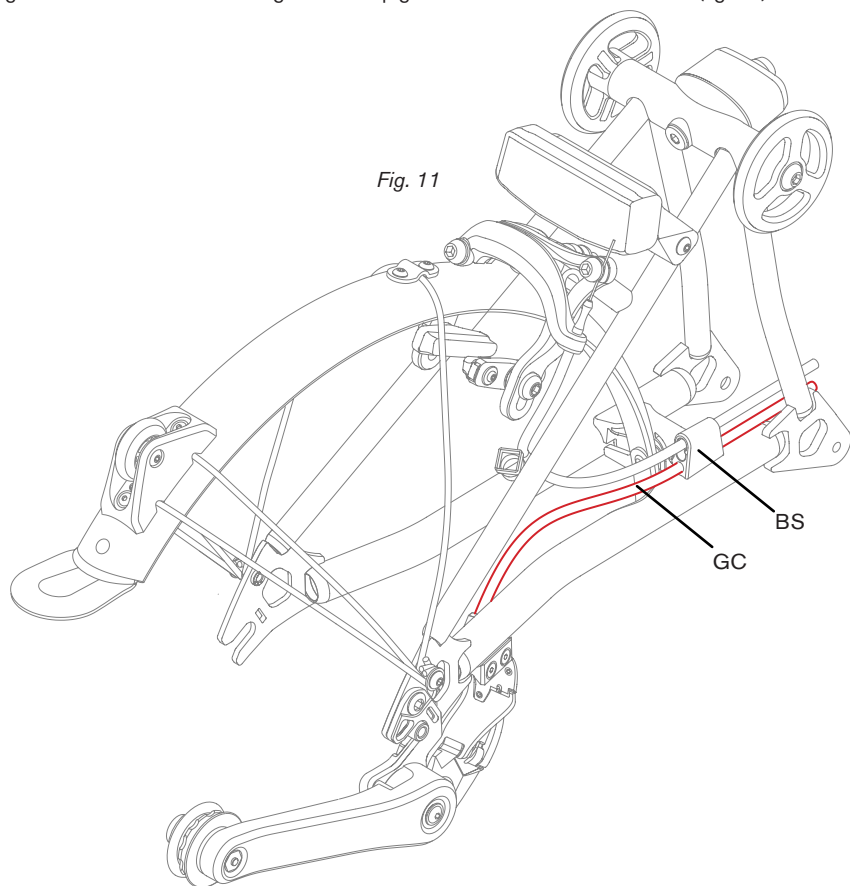
INSTALLATION D'UN NOUVEAU CÂBLE

- Vissez entièrement l'ajusteur de barillet dans le sens des aiguilles d'une montre, sur son réglage le plus court, puis dévissez-le de 2 tours
- Choisissez le plus petit développement (1) puis appuyez sur la manette de vitesse vers le bas afin qu'elle ne masque pas l'orifice d'entrée de câble
- Insérez le câble de vitesse dans le sélecteur, légèrement vers le bas, puis faites-le passer au travers de la douille de câble
- Si vous ressentez une résistance en poussant le câble au travers de la douille, tirez-le un peu puis réessayez
- Une fois que vous ressentez que le câble est passé au travers de la douille, continuez à le pousser jusqu'à ce que vous ressentiez une légère résistance
- Continuez à le faire passer de manière à ce qu'il suive le guide interne du sélecteur et sorte par l'ajusteur de barillet.

NE FORCEZ PAS SUR LE CÂBLE CAR CELA POURRAIT ENDOMMAGER LE SÉLECTEUR

RÉGLAGE DES VITESSES

- Insérez le câble interne IC dans la gaine
- Insérez-le entièrement de manière à ce qu'il sorte par l'extrémité de la gaine
- Faites passer le câble le long du cadre du vélo en suivant le parcours des câbles existants. Cela est essentiel pour le pliage
- Lorsque le câble atteint le cadre arrière, faites-le passer par le bloc de butée (fig. 11)
- À l'aide d'une pince à becs pointus ou d'un outil similaire, tirez le câble au travers de la gaine et insérez-le dans le dérailleur
- Serrez le boulon maintenant le câble en place à l'intérieur du dérailleur (fig. 8)
- Utilisez l'ajusteur de barillet du sélecteur pour apporter les ajustements nécessaires à la tension du câble (fig. 10)
- Dévisser l'ajusteur augmente la tension du câble et facilite le passage au plus petit développement (fig. 10)
- Visser l'ajusteur réduira la tension et facilitera le passage au plus grand développement
- Le galet du dérailleur doit être aligné avec le pignon sélectionné sur la cassette (fig. 10).



FREINS

Nous vous invitons à régler vos freins de manière régulière, car ils sont indispensables à votre sécurité. Le temps passé entre chaque réglage dépendra de votre fréquence d'utilisation du Brompton ; si votre levier de frein touche le guidon lorsque vous tirez dessus, vos freins nécessitent un réglage urgent. Les freins doivent être réglés de sorte que les patins de freins soient aussi proches que possible des jantes, sans interférer avec la rotation des roues. Les réglages sont effectués à l'aide de l'arrêt de câble fileté De la poignée de frein. Si vous n'êtes pas sûr de la méthode à employer, faites régler votre vélo par un revendeur Brompton ou un technicien qualifié spécialisé en bicyclettes.

- Lorsque vous réglez le frein arrière, le vélo doit être en position dépliée
- Lorsque vous réglez le frein avant, ne réglez pas les patins si près qu'ils se collent à la jante si la roue tourne à droite ou à gauche
- Remplacez vos patins de freins si les rainures à la surface des patins font moins de 1 mm de profondeur

Le fait de garder vos jantes et vos patins de frein propres permet d'améliorer les performances de freinage et d'augmenter la durée de vie des patins et des jantes. Le résidu noir qui s'accumule sur les jantes est un mélange de saleté, de matériau des patins et de poudre d'aluminium usé provenant de la surface de freinage de la jante ; ce résidu est abrasif et accélère l'usure de la jante et des patins. Lorsque vous nettoyez les patins et les jantes, vérifiez qu'ils ne sont pas usés ; le cas échéant remplacez-les immédiatement.

ÉCLAIRAGE

Deux options d'éclairage sont disponibles sur les Brompton : des phares avant et arrière à batterie ainsi qu'un système de dynamo de moyeu qui génère de l'électricité lorsque vous roulez. Ces jeux d'éclairage Brompton peuvent être installés sur tout modèle de vélo. Utilisez ces lumières conformément à la législation locale. Pour obtenir des informations techniques concernant l'utilisation des phares à batterie et du système de dynamo de moyeu, reportez-vous à la section technique de notre site web <https://www.brompton.com>

ATTACHE DU CADRE ARRIÈRE

Pour libérer le cadre arrière, appuyez sur le petit levier (fig. 12) vers l'avant et soulevez le vélo afin que le bloc de suspension s'éloigne du verrou et que la roue arrière bascule sous le cadre. Abaissez la bicyclette afin qu'elle repose en position stationnée.

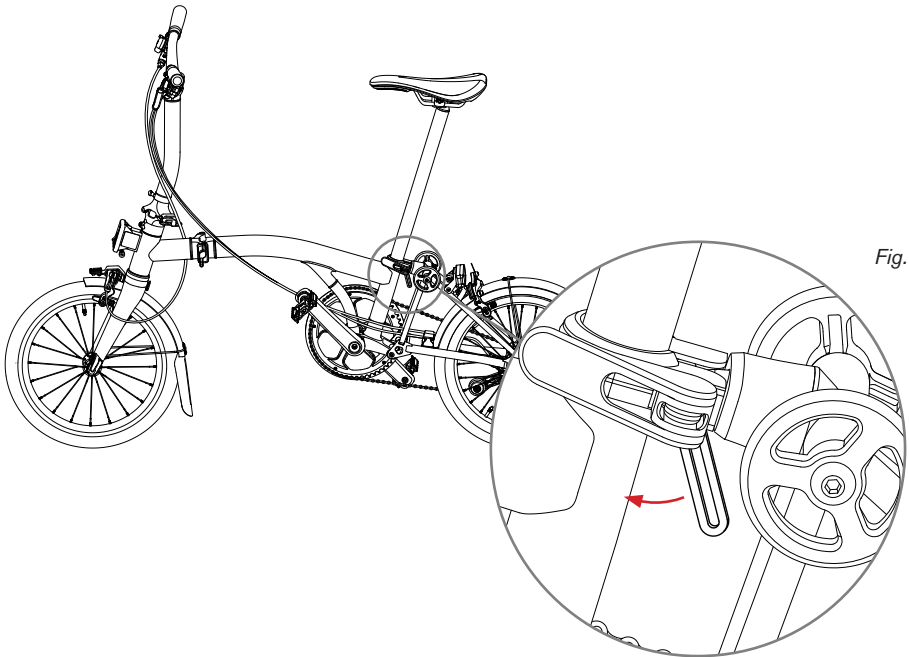


Fig. 12

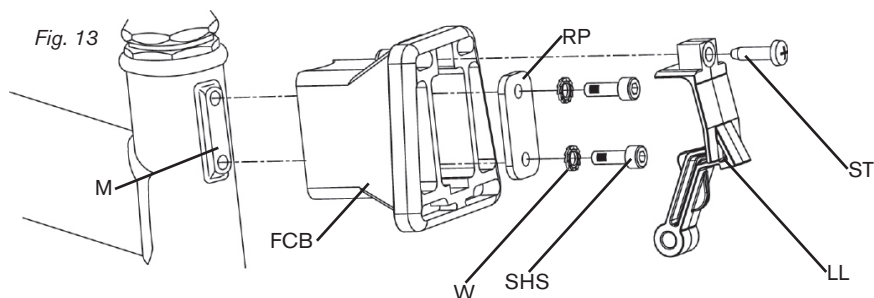
BAGAGES

Brompton propose une sélection de bagages qui peuvent être installés sur votre Brompton. Ils vous permettent de porter des charges pouvant atteindre 10 kg sur le porte-bagages avant et 10 kg sur le porte-bagages arrière. Soyez attentif aux instructions fournies avec le bagage avant utilisation. L'utilisation d'un bagage incorrect pourrait entraver la direction et s'avérer dangereuse.

Remarque : tous les bagages avant Brompton sont adaptés pour une utilisation sur les Brompton M, H et P Type, mais le sac T, le sac C et le panier pliant ne sont pas adaptés à une utilisation sur les Brompton S Type.

BLOC PORTEUR AVANT

- Vérifiez que vous disposez de toutes les pièces illustrées sur le schéma (fig. 13)
- S'il s'agit d'une première installation, retirez les deux vis de réglage du bloc de fixation brasé M ; les vélos plus anciens sont munis d'une vis nylon noire fendue, et les vélos plus récents d'une vis d'acier à six pans 2.5 mm
- Il est essentiel que vous n'oubliez aucune des deux rondelles dentelées W lorsque vous installez la plaque de maintien RP. Vous devez par ailleurs serrer les vis SHS au couple approprié
- La pastille bleue se trouvant sur les vis permet de les bloquer en place ; ne retirez pas, ne modifiez pas, ne retirez pas ou n'exposez pas cette pastille à l'humidité car l'efficacité du blocage s'en trouvera considérablement réduite
- Les vis ne doivent pas être réinstallées après une première installation, car les pastilles bleues ne fonctionneront plus correctement
- Ces vis doivent être remplacées par des QFCB-BOLTS Brompton ou par deux vis captives à tête creuse M5x16, Classe 12.9, DIN 912, en appliquant du frein filet Force moyenne sur les filetages avant l'installation



INSTRUCTIONS D'INSTALLATION

Il vous faudra une clé Allen de 4 mm et un tournevis Pozidrive. Assemblez la plaque de maintien RP et l'une de ses vis M5 à tête creuse SHS, comprenant sa rondelle en étoile W, dans le corps du bloc porteur FCB. Orientez l'ensemble vers le tube avant de la bicyclette comme illustré.

- Insérez la première vis sur deux à trois tours, mais ne la serrez pas entièrement
- Insérez la deuxième vis et serrez-la, avec sa rondelle dentelée W
- Enfin, serrez fermement les deux vis à un couple de 4.5 Nm
- Faites passer l'extrémité inférieure du levier de verrouillage LL par l'orifice de la base du bloc porteur FCB, puis, en maintenant le bas du levier de verrouillage, positionnez le haut à l'intérieur du bloc porteur
- Faites passer la vis autotaraudeuse ST par l'orifice du levier de verrouillage et serrez-la fermement dans le bloc porteur
- La vis ST doit être entièrement serrée en place, de manière à ce que le dispositif de verrouillage reste correctement en place. Si ce n'est pas le cas, il sera inefficace et des bagages pourraient tomber, ce qui est donc dangereux

NETTOYAGE ET LUBRIFICATION

Il est important de lubrifier les composants afin qu'ils fonctionnent efficacement et en toute sécurité. Nous vous recommandons de le faire régulièrement, bien que certaines parties nécessitent une lubrification plus fréquente.

La chaîne doit être bien lubrifiée pour un pédalage fluide. Appliquez du lubrifiant pour chaîne tout en tournant les pédales en arrière et en vous assurant qu'il s'écoule sur les rouleaux ; laissez l'huile de travailler en continuant à tourner les pédales vers l'arrière, puis essuyez l'huile en excès.

Lorsque vous lubrifiez la chaîne, il est important de vous souvenir que vous essayez de lubrifier les rouleaux de la chaîne et non les plaques ; du lubrifiant sur les plaques ne contribue pas à l'efficacité de la transmission et se contente d'attirer la saleté. La meilleure méthode consiste à appliquer soigneusement une goutte de lubrifiant sur chaque rouleau ; cela prend un peu plus longtemps que le fait d'injecter le lubrifiant sur la chaîne tout en tournant les pédales en arrière, mais cela permet d'assurer une pénétration de lubrifiant uniquement à l'endroit approprié.

Le filetage du boulon de l'attache de la charnière et sa rondelle doivent être graissés occasionnellement. Une mince couche de graisse sur les faces internes des plaques de l'attache permet également de les désengager plus facilement.

Les pignons et les roulements sont scellés ; le graissage ne doit être effectué que lors d'un entretien important par un mécanicien.

Lorsque vous lubrifiez votre Brompton, évitez que de l'huile ou de la graisse ne tombe sur la tige de selle ou les jantes des roues. Toute graisse d'usage général de bonne qualité est appropriée. Pour la chaîne, les lubrifiants solides pour chaîne ayant de bonnes propriétés de pénétration permettent d'obtenir les meilleurs résultats. Prenez en compte l'impact environnemental des graisses et lubrifiants que vous utilisez.

Nous vous conseillons d'utiliser un seau d'eau savonneuse chaude et une éponge pour nettoyer le vélo. N'utilisez pas de tuyau d'arrosage ou de laveur haute pression car cela pourrait contraindre de l'eau à entrer dans les roulements et pièces mobiles et faire ressortir le lubrifiant, entraînant ainsi de la corrosion.

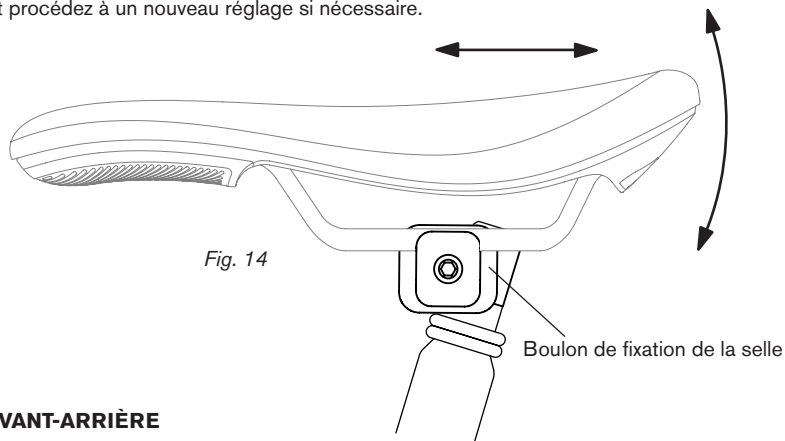
RÉGLAGE DE LA POSITION DE LA SELLE

Il est possible de régler l'angle et la position avant-arrière de la selle. Pour établir la position la plus confortable, vous devez commencer par régler la selle en position neutre ; vous pouvez alors travailler à partir de là pour trouver la meilleure position. Commencez par desserrer le boulon de fixation de la selle à l'aide d'une clé hexagonale de 5 mm jusqu'à ce que vous puissiez déplacer la selle avec un minimum d'effort. Veillez à ne pas trop desserrer ce boulon car cela rendrait le réglage plus difficile.

Déplacez les rails de la selle dans l'attache afin qu'ils soient grossièrement centrés (à mi-parcours entre les positions avant et arrière maximales). Mettez la selle de niveau afin que la surface supérieure soit grossièrement de niveau entre le bord avant et le bord arrière (fig. 14). Une fois la selle en position neutre, serrez le boulon de fixation de la selle avec un couple de 10 Nm. Testez la position de la selle ; vous pouvez la régler pour qu'elle soit plus confortable.

ANGLE

Si vous sentez que le nez de la selle est relevé ou que l'arrière de la selle ne vous soutient pas assez, vous pouvez réduire l'angle de la selle vers l'avant. Inversement, il est possible que vous sentiez que vous devez relever légèrement la selle afin qu'elle vous offre plus de soutien au niveau du nez ou que tout votre poids repose sur l'arrière de la selle. Après avoir réglé la selle, resserrez le boulon de fixation de la selle, faites une petite sortie et procédez à un nouveau réglage si nécessaire.



POSITION AVANT-ARRIÈRE

Le déplacement de la selle en arrière et en avant à partir de la position centrale neutre a une incidence non seulement sur l'allonge (jusqu'au guidon), mais également sur la position relative sur les pédales. En déplaçant la selle en arrière, vous augmentez l'allonge jusqu'au guidon et étirez un peu plus la bicyclette. En déplaçant la selle en avant, vous la rendez plus courte et plus verticale. Testez la bicyclette et réglez-la à nouveau en vous assurant d'avoir fermement serré le boulon de fixation de la selle à 10 Nm.

HAUTEUR SUPPLÉMENTAIRE DE LA SELLE

Si vous ne parvenez pas à augmenter suffisamment la hauteur en repositionnant la selle, deux options Brompton vous permettent de le faire : un tube de selle télescopique et un tube de selle prolongé de 60 mm. Le tube télescopique peut répondre aux besoins des cyclistes plus grands. Il ne modifie que légèrement la taille du vélo plié.

Le guidon et les leviers de contrôle (freins et vitesses) du Brompton sont réglés en usine afin d'assurer un compromis entre aspect compact et confort d'assise. Si vous choisissez d'apporter des modifications à ces réglages, le guidon ou la potence ne peuvent pas être aussi proches de la roue avant qu'en temps normal et ceci augmente la taille de l'ensemble plié.

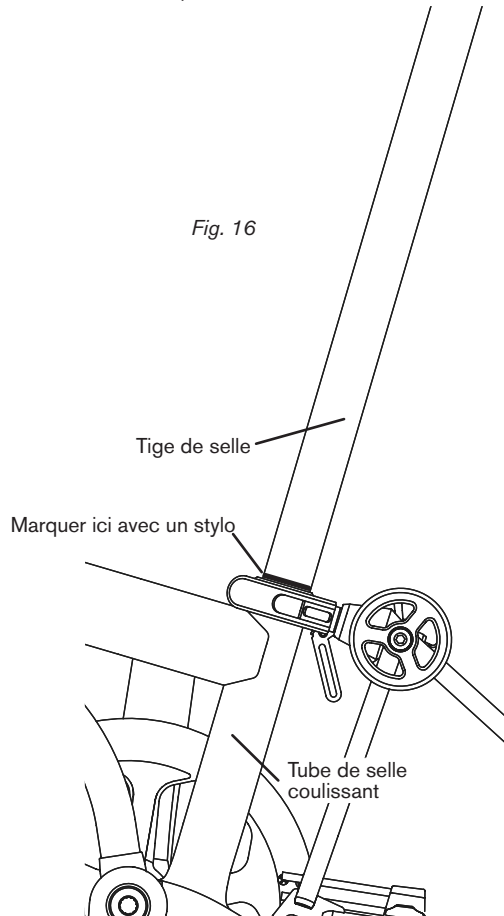
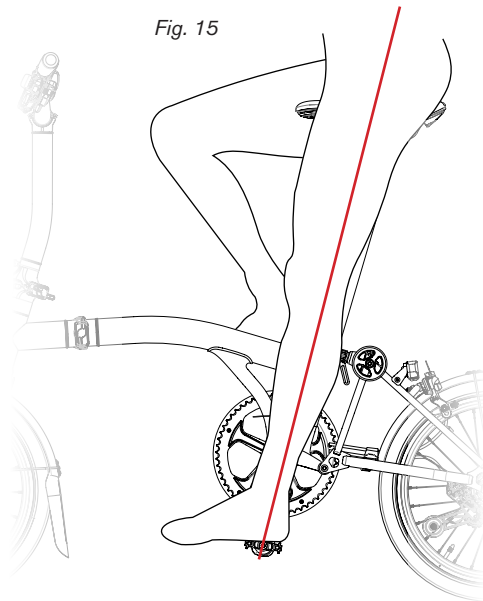
Si l'ensemble de la potence doit être déplacé, quelle qu'en soit la raison, il est fortement recommandé de faire effectuer les réglages par un revendeur Brompton agréé ou par un technicien certifié spécialisé. Le boulon de fixation doit être serré à un couple de 10 Nm.

RÉGLAGE DE L'INSERT DE HAUTEUR DE SELLE

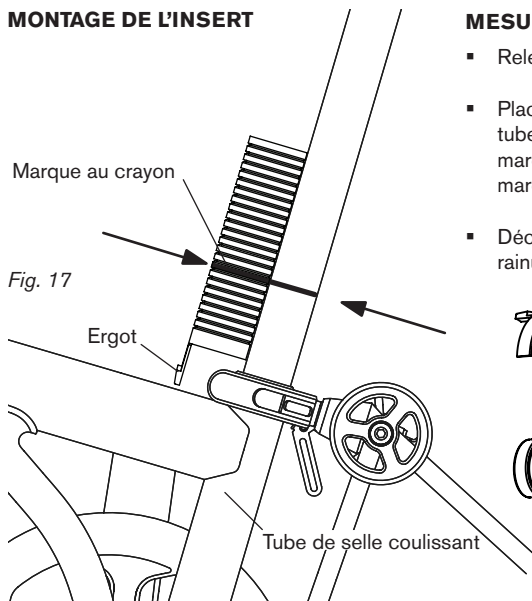
Lorsque la position de la selle est correcte, vous pouvez régler l'insert de hauteur de selle. Il doit être monté dans le cas où la hauteur de selle est trop élevée en extension maximale. L'insert de hauteur de selle vous permettra de régler la selle à la hauteur correcte chaque fois que vous dépliez la bicyclette.

RÉGLAGE DE LA HAUTEUR DE LA SELLE

- À ce stade, n'oubliez pas d'utiliser vos chaussures de cyclisme ordinaires
- Réglez la hauteur de la selle afin que la pédale se trouve en bas de course et que le talon de la chaussure se trouve sur la pédale ; votre jambe doit être tendue (fig. 15)
- En pédalant avec l'avant du pied, en extension maximale, la jambe est légèrement courbée
- Lorsque vous êtes satisfait de la hauteur de la selle, apposez un repère sur la tige de selle à l'aide d'un marqueur ou d'adhésif en haut du tube de selle coulissant (fig. 16)
- La hauteur minimale de la tige de selle est atteinte lorsque l'ensemble de la tige s'étend hors du tube de selle, sous le dessous du cadre ; vous ne devez pas enfourcher le vélo lorsque la tige de selle dépasse sous le dessous du tube de selle
- Si vous n'êtes pas certain du processus d'installation, votre revendeur Brompton sera en mesure de vous aider

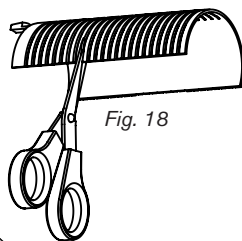


MONTAGE DE L'INSERT

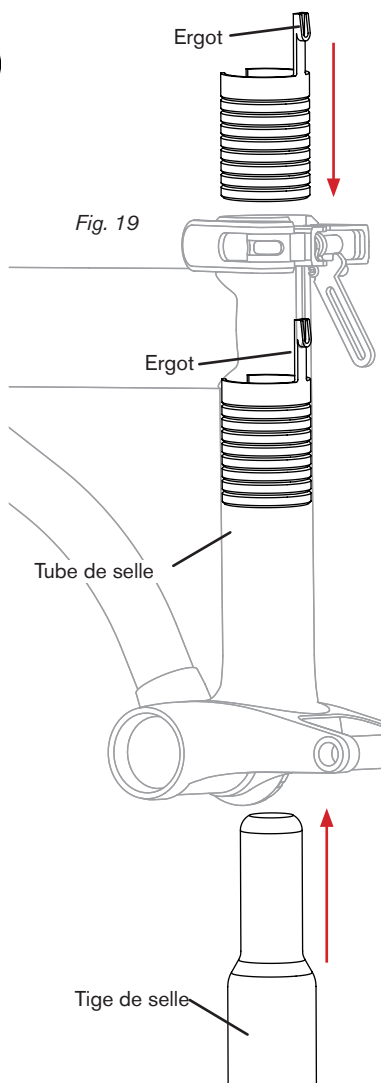


MESURE ET DÉCOUPE DE L'INSERT

- Relevez la tige de selle à la hauteur maximale
- Placez l'insert à l'envers contre la tige, en haut du tube de selle, couissant comme illustré (fig. 17), et marquez la rainure dans l'insert, au plus près de la marque de la tige de selle
- Découpez soigneusement l'insert le long de cette rainure à l'aide de ciseaux (fig. 18)



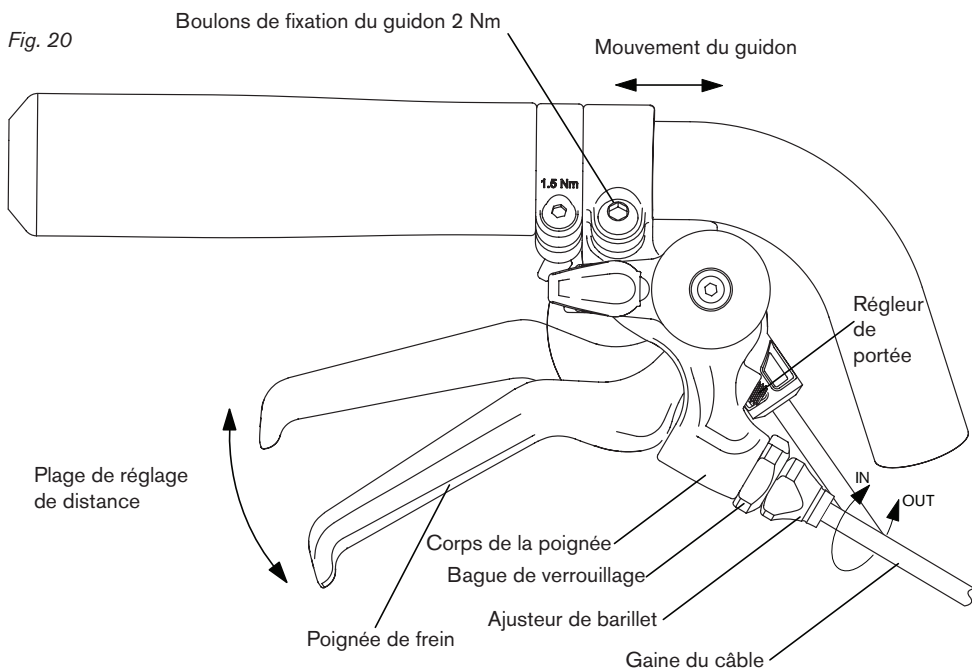
- Marquez le boulon de fixation de la selle de manière à voir l'angle de la selle et positionnez le boulon de fixation de la selle à l'aide d'un marqueur ou d'adhésif
- Desserrez le boulon de fixation de la selle à l'aide d'une clé hexagonale de 5 mm et retirez la selle et les joints toriques du haut de la tige de selle
- Retirez la tige de selle en la faisant glisser vers l'extérieur par la partie inférieure du cadre
- Serrez l'insert de réglage de hauteur de selle et insérez-le dans la partie supérieure du tube de selle en alignant l'ergot avec la fente (fig. 19)
- Engagez l'ergot dans la base de la fente (fig. 19)
- Réinstallez la tige de selle sur le dessous du cadre (fig. 19), en vous assurant qu'elle est propre
- Remontez les joints toriques, alignez les repères de réglage sur le boulon de fixation de la selle et serrez (15 Nm)
- Vérifiez que la hauteur de la selle est correcte lorsqu'elle est complètement remontée ; vous pouvez procéder à de petits ajustements en déplaçant légèrement vers le haut ou vers le bas la position du boulon de fixation de la selle sur la tige (fig. 14). Pour plus d'informations, rendez-vous sur <https://www.brompton.com>



RÉGLAGE DES POIGNÉES DE FREIN

Il est important de passer quelques instants à vérifier que les poignées de frein sont bien réglées pour obtenir une position de poignée de frein sécurisée et confortable. Selon la taille de votre main, vous pouvez régler la distance entre la poignée et le guidon ; il est possible de régler la poignée afin de l'actionner d'un, de deux ou de trois doigts.

Les poignées de gauche et de droite sont conçues spécifiquement pour leurs positions respectives, et les poignées s'installent à l'aide d'un boulon de fixation orienté vers le haut (fig. 20).



1. ANGLE DE LA POIGNÉE

La plage de réglage de l'angle de la poignée est restreinte par le chemin de sortie du câble ; si l'angle de la poignée est trop élevé, cela provoquera des problèmes de fonctionnement des freins et de pliage de la bicyclette.

Lorsque la bicyclette est pliée, la gaine du câble de frein de droite entre en contact avec la partie gauche de la fourche. L'angle de la poignée doit être réglé de manière à ce que la gaine du câble entre légèrement en contact avec la partie gauche de la fourche ; un contact trop important pourrait courber et endommager la gaine. Pour cette raison, la poignée de frein comporte une boucle qui permet de la relever par rapport à son corps et d'offrir une position plus confortable sans incidence sur le cheminement de la gaine du câble.

2. POSITION DE POIGNÉE

Il est possible de régler la position des poignées sur le guidon afin de les rapprocher ou de les éloigner de l'extrémité de la poignée du guidon. Ce réglage permet de positionner la poignée pour un freinage à un, deux ou trois doigts.

Le positionnement de la poignée pour un freinage à un doigt offre une prise plus ferme sur la poignée mais vous permet d'appliquer une force de freinage inférieure. Le freinage à trois doigts vous offre la force de freinage maximale, mais réduit la prise sur le guidon.

3. RÉGLEUR DE PORTÉE

Le réglage de la portée du levier est contrôlé par la vis sans tête située sur le côté du corps du levier.

Le fait de visser l'ajusteur de portée situé dans le corps du levier (clé hexagonale de 2,5 mm) permet de rapprocher le levier du guidon.

Lorsque la portée du levier est réglée plus près du guidon, cela provoque le rapprochement des patins de frein par rapport à la jante. Il peut être nécessaire de régler le point de frottement du levier (position d'attaque) afin de laisser suffisamment d'espace aux patins ; vous pouvez le faire en vissant l'ajusteur du barillet situé dans le corps de levier.

Si le réglage est insuffisant au niveau de l'ajusteur du barillet pour laisser suffisamment d'espace aux patins et obtenir un point de frottement satisfaisant du levier, vous pouvez être amené à desserrer le boulon d'attache du câble (clé de 10 mm) au niveau de l'étrier du frein afin de pouvoir tirer une certaine longueur de câble. Veillez à resserrer ce boulon à un couple de 8 Nm et assurez-vous que le câble est correctement fixé avant d'utiliser la bicyclette.

4. AJUSTEMENT DU POINT DE FROTTEMENT

Le réglage du point de frottement du levier (position d'attaque) est contrôlé par l'ajusteur du barillet. Le vissage de l'ajusteur du barillet dans le corps du levier permet de rapprocher le point de frottement du levier du guidon. Le fait de visser l'ajusteur du barillet vers l'extérieur par rapport au corps du le levier permet d'éloigner le point de frottement du guidon.

L'ajusteur du barillet utilise une bague de retenue pour le fixer en position ; elle doit être desserrée avant le réglage et resserrée une fois l'ajusteur du barillet correctement positionné.

5. FIXATION DU LEVIER

Une fois le levier correctement positionné sur le guidon, le boulon d'attache doit être vissé à un couple de 2 Nm (clé hexagonale de 4mm).

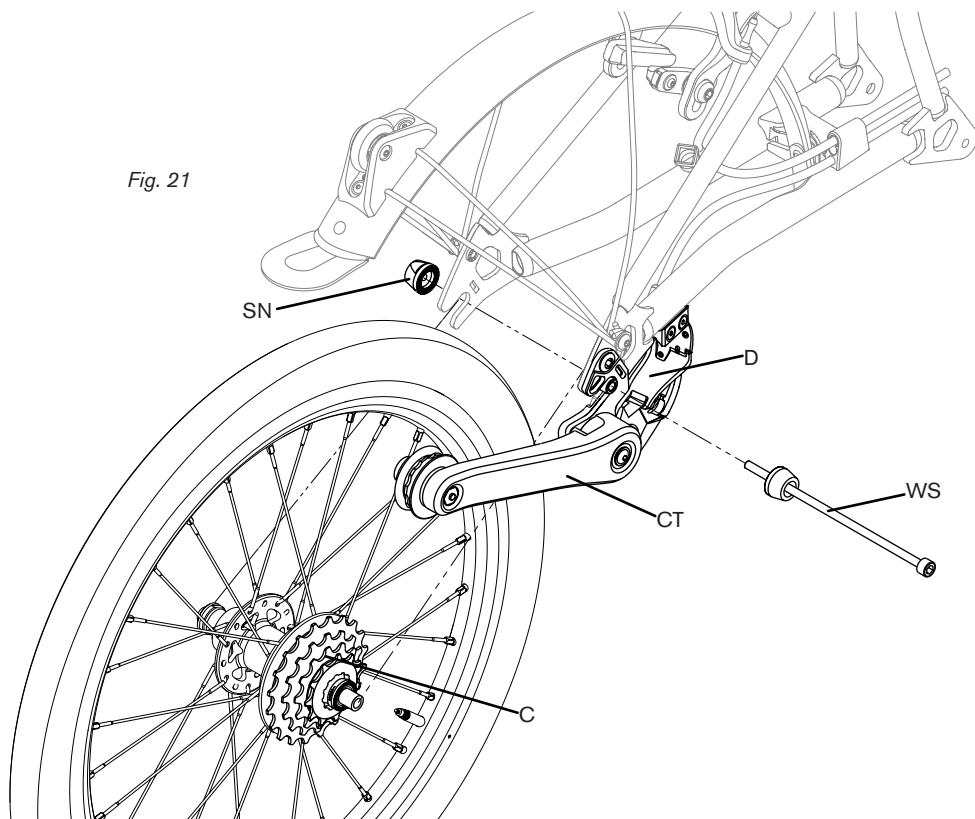
Un cheminement correct des câbles et une longueur appropriée des gaines de câble sont essentiels ; les câbles doivent passer devant le guidon, à gauche du support du guidon et à droite du tube principal du cadre.

SI VOUS N'ÊTES PAS CONFIANT DANS LA RÉALISATION DE CES RÉGLAGES, CONSULTEZ VOTRE REVENDEUR BROMPTON ; N'ESSAYEZ PAS D'UTILISER LA BICYCLETTE AVEC DES FREINS MAL RÉGLÉS

ROUE ARRIÈRE - DÉMONTAGE ET MONTAGE

- Lorsque vous installez ou retirez la roue arrière, passez au plus petit pignon sur la cassette
- Le tendeur de chaîne doit être désengagé de la chaîne avant de retirer la roue
- Lorsque vous l'installez, assurez-vous que la roue est correctement placée sur la patte, sinon les vitesses ne fonctionneront peut-être pas correctement
- Il est essentiel que vous suiviez la procédure d'installation appropriée et que vous serriez toutes les fixations correctement

Fig. 21



RETRAIT

Pour retirer la roue arrière, placez le vélo sur un pied d'atelier. En préparation, la tension de la chaîne doit être éliminée. Faites-le en désengageant le CT. Une fois que la chaîne est détendue, il peut maintenant être retiré de la C et être dégagé pour permettre le démontage de la roue. Utilisez une clé Allen de 5 mm pour desserrer la WS. Une fois qu'elle est desserrée, maintenez l'écrou-raccord SN en place pour éviter qu'il ne tourne de l'autre côté. Retirez ensuite complètement la WS. Le pneu doit être dégonflé pour que la roue puisse passer l'étrier de frein. La roue peut maintenant être guidée pour être retirée en exerçant peu de pression.

INSTALLATION

Lorsque vous installez la roue arrière, placez le vélo sur un pied d'atelier. Assurez-vous que l'orientation de marche est correcte en vérifiant que la flèche du flanc du pneu indique une orientation vers l'avant. Guidez la roue en place en vous assurant que la chaîne pourra être correctement installée sur la cassette C ultérieurement. Une fois que la roue est installée en place : Insérez le raccord WS comme illustré (fig. 21). Serrez le boulon-raccord à un couple de 7 Nm. Le tendeur de chaîne CT peut maintenant être engagé près de la chaîne.

REPLACEMENTS COURANTS

Il est conseillé d'effectuer les remplacements prévus pour garantir la sécurité et de bonnes performances du vélo. Les intervalles conseillés entre les remplacements sont destinés aux bicyclettes soumises à une utilisation normale ; la durée la plus appropriée entre les remplacements dépend des conditions d'utilisation et du style de conduite. Nous recommandons l'utilisation de pièces de remplacement Brompton d'origine pour les composants essentiels à la sécurité.

COMPOSANTS EN ALUMINIUM Tout comme pour d'autres engins légers, un alliage d'aluminium est utilisé pour fabriquer le Brompton. Une durée de vie nominale limitée affecte ce matériau avant qu'il ne présente des défaillances. Dans le cadre d'une utilisation normale, le risque de défaillance liée à la fatigue de l'aluminium est aléatoire, même après plusieurs milliers de kilomètres. Le risque de défaillance augmente cependant avec l'utilisation, particulièrement en cas de conduite en conditions difficiles ou encore en cas de lourds chargements. Étant donné qu'une défaillance pourrait engendrer des blessures, les plaques de fixation à charnière, le guidon, l'ensemble de la chaîne, la tige de selle et les pédales doivent être remplacés tous les 8,000 km (5,000 miles) (plus fréquemment si ces composants sont soumis à une utilisation intensive) et nous vous recommandons de vérifier régulièrement ces éléments.

TRANSMISSION Tous les vélos Brompton sont équipés d'un tendeur de chaîne à ressort réglable automatiquement qui permet de conserver une tension de chaîne appropriée. La chaîne et les dents s'useront au fil du temps ; cette usure est généralement appelée allongement de la chaîne ; cet allongement de chaîne entraînera une transmission de puissance irrégulière et inefficace. Nous vous recommandons de remplacer la chaîne et les pignons tous les 3,200 à 4,800 km (2,000 à 3,000 miles) ; cependant, les nettoyer et les lubrifier régulièrement prolongera la durée de vie de la chaîne. N'utilisez jamais de nouvelle chaîne sur des dents usées ou vice versa. Pour mesurer l'allongement de la chaîne, vous voudrez peut-être utiliser un testeur de chaîne.

FREINS La durée de vie des câbles de frein n'est pas illimitée. Pour réduire le risque de défaillances, remplacez les câbles tous les 6,400 km (4,000 miles) ou moins. La longueur des nouveaux câbles extérieurs doit être exactement identique à celle des câbles d'origine ; pour obtenir de meilleurs résultats, utilisez des câbles spécifiques à Brompton d'origine et faites-les installer par un revendeur Brompton agréé ou par un technicien certifié spécialisé en bicyclettes. Une mauvaise longueur de câbles pourrait affecter la sécurité et les performances de votre bicyclette.

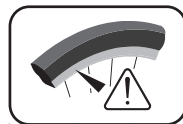
CÂBLES DE VITESSE Ils doivent être remplacés en respectant l'intervalle spécifié pour les câbles de frein. Étant donné que les câbles Brompton sont spécifiquement conçus pour les vélos Brompton, seuls des câbles Brompton doivent être utilisés. Faites installer ces câbles par un revendeur Brompton agréé ou par un technicien certifié spécialisé en bicyclettes. Une mauvaise longueur de câbles pourrait affecter la sécurité et les performances de votre bicyclette.

BLOCS DE FREINS Lorsque les blocs de frein sont neufs, leur surface de freinage comporte des rainures ; dès que la profondeur de ces rainures est inférieure à 1 mm ou lorsqu'elles ne sont plus visibles, les patins de frein doivent être remplacés. Étant donné que les patins de freins sont essentiels au fonctionnement sécurisé de vos freins, nous vous recommandons de les faire installer par un technicien qualifié spécialisé en bicyclettes ; il est également recommandé d'utiliser des patins de freins de remplacement Brompton d'origine.

PNEUS Le risque de crevaisons augmente avec le kilométrage et avec l'usure de la bande de roulement des pneus. Dès que vous remarquez que la bande de roulement de l'un de vos pneus est fine en raison de l'usure, remplacez le pneu. Procéder ainsi réduira la probabilité de crevaison et augmentera l'efficacité du pédalage.

ÉCLAIRAGE PAR DYNAMO Les câbles électriques utilisés pour l'éclairage par dynamo s'usent en pliant et en dépliant le Brompton. Lorsque les câbles commencent à être usés, remplacez-les immédiatement pour éviter tout endommagement de votre dynamo de moyeu. Si vos lumières sont défectueuses, faites-les inspecter par un technicien qualifié spécialisé en bicyclettes pour rester visible et en toute sécurité sur les routes.

BLOC DE SUSPENSION ET BAGUE Vérifiez l'usure de la bague et du bloc de suspension tous les ans. Si vous remarquez une fissure au niveau du bloc de suspension, faites-le immédiatement remplacer.



JANTES DES ROUES Les surfaces de freinage des jantes s'usent avec le temps. Il y a une petite indentation sur la surface de freinage, près de la valve ; elle sert d'indicateur d'usure. Lorsque la jante s'use au point que cette indentation n'apparaît plus, la jante doit être remplacée. Recherchez ce symbole sur les jantes.

ENTRETIEN DES 160 km (100 MILES) Le rodage de certains éléments du vélo prend du temps ; vous devez accorder une attention particulière à ces éléments peu de temps après avoir acheté votre vélo. Nous vous recommandons de faire contrôler votre Brompton par un mécanicien qualifié après les premiers 160 km (100 miles) ou après le 1er mois (selon l'événement intervenant le plus tôt). Il devra accorder une attention particulière aux éléments suivants :

RAYONS La tension des rayons doit être vérifiée et des réglages doivent lui être apportés pour qu'elle soit appropriée. Si un rayon commence à se desserrer pour quelque raison que ce soit, les rayons l'entourant supporteront une charge supplémentaire et pourraient présenter des défaillances.

BOULONS DE L'AXE DES MANIVELLES ET PÉDALES Le serrage de ces pièces doit être vérifié. Le couple approprié est 30 Nm ; le filetage destiné à la pédale de gauche est à gauche.

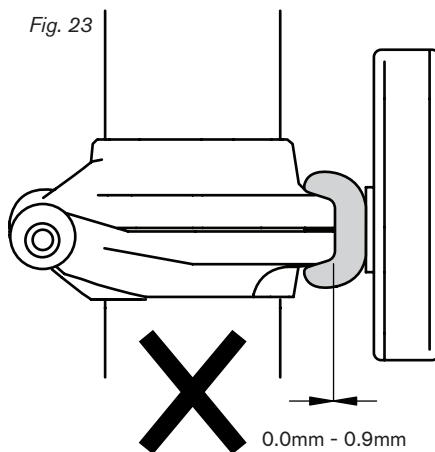
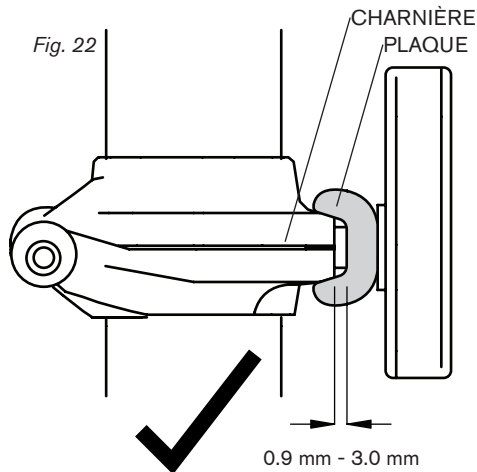
CÂBLES Bien que les câbles de vitesse et de frein soient pré-tendus, il est inévitablement nécessaire de les tendre davantage suite à la tension initiale. Du fait que cette tension affecte le contrôle du moyeu à vitesses, il est nécessaire de vérifier que les vitesses sont bien réglées. Il est très judicieux de régler les freins au même moment.

MANCHON DE COULISSEMENT DE LA TIGE DE SELLE La tige de selle glisse vers le haut et le bas dans un manchon en plastique se trouvant à l'intérieur du cadre. Cette pièce s'use et devra régulièrement être remplacée. Si la tige glisse tandis que vous utilisez le vélo ou si l'écrou de blocage à libération rapide de la tige de selle doit être serré excessivement pour fixer la tige, le manchon est peut-être trop usé et devra dans ce cas être remplacé. Le manchon usé peut en définitive entraîner un endommagement du cadre en lui-même s'il n'est pas remplacé. Le remplacement du manchon nécessite des outils spécialisés et ne doit être effectué que par un revendeur Brompton agréé.

CHARNIÈRE ARRIÈRE Au fil du temps, les bagues du pivot du cadre arrière peuvent s'user, et un léger jeu deviendra alors perceptible. Les bagues doivent être remplacées pour éliminer ce jeu. Ce travail doit être effectué par un revendeur Brompton agréé, et des outils spécialisés sont nécessaires.

PLAQUE DE FIXATION DES CHARNIÈRES Si la plaque est usée ou endommagée, cela peut réduire l'efficacité de serrage des charnières. Elle doit être régulièrement inspectée et remplacée si nécessaire. Lorsque le levier est serré, l'espacement entre la charnière moulée et sa plaque de fixation (fig. 22) doit être compris entre 0.90 mm et 3.00 mm, que ce soit au niveau de la charnière du guidon ou de celle du cadre principal. Ces pièces doivent être vérifiées régulièrement et remplacées si nécessaire.

Si l'espacement entre la charnière et sa plaque de fixation est inférieur à 0.90 mm (fig. 23), remplacez la plaque de fixation. Vous ne devez pas utiliser le vélo tant que la plaque de fixation n'a pas été remplacée s'il n'y a aucun espacement entre cette plaque et sa charnière.



GARANTIE

Si votre vélo enregistré présente un défaut de fabrication, nous remplacerons la pièce défectueuse gratuitement si nous sommes avertis de cette défaillance sous sept ans (pour le cadre (ou deux ans si le vélo n'est pas enregistré)) ou sous deux ans (pour les autres pièces) à compter de la date d'achat initiale du vélo. Le Brompton est destiné à être utilisé sur routes et sur des chemins de bonne facture. Il n'est pas conçu pour le cross-country : pratiquer cette activité peut provoquer une surtension au niveau du cadre. De plus, les roues et les pneus ne sont pas adaptés au crosscountry.

MY BROMPTON Cette section du site web Brompton permet aux propriétaires de Brompton d'enregistrer les détails de leur(s) vélo(s) afin de pouvoir être contactés si besoin ; l'enregistrement du vélo est obligatoire pour activer la garantie de 7 ans couvrant les pièces du cadre principal. Ces informations resteront dans la base de données de Brompton et ne seront transmises à aucun tiers <https://www.brompton.com>

NUMÉRO DE SÉRIE ET NUMÉRO DU CADRE L'étiquette située sur le cadre principal, à l'arrière du tube de selle, comporte le numéro de série à 10 chiffres. Le numéro de cadre à 6 chiffres est estampé sur le cadre principal, directement à l'avant du pivot de suspension : garder une trace des deux numéros est une bonne idée. Notez vos numéros sur les pages vierges au verso de ce manuel.

CONDITIONS GÉNÉRALES DE GARANTIE BROMPTON

Merci d'avoir choisi un vélo Brompton. Votre vélos est le fruit des techniques d'ingénierie, des tests complets et des efforts continus employés par Brompton pour conférer une sécurité, une fiabilité et des performances supérieures au vélo. Vous pouvez préserver la protection maximale assurée en vertu des présentes conditions générales de garantie en veillant à ce que votre vélo soit entretenu conformément aux recommandations figurant dans le manuel du propriétaire. Notez tous les entretiens effectués par votre revendeur Brompton agréé et veillez à ce que ces dossiers d'entretien soient accessibles sur demande de votre revendeur Brompton, quelle que soit la tâche qu'il effectue sur votre Brompton, qu'il s'agisse d'une tâche d'entretien, de réparation ou liée à la garantie.

Tous les nouveaux vélos Brompton enregistrés dans la section My Brompton de notre site web sont couverts par une garantie kilométrage illimité de 7 ans pour les pièces du cadre principal, la période de garantie commençant à la date de vente. Les autres pièces non susceptibles de s'user de votre vélo (les manivelles, étriers de frein, garde-boues, etc.) sont couvertes par une garantie de 2 ans. Veillez à conserver votre facture d'achat en lieu sûr au cas où il vous faudrait vous y reporter ultérieurement. Les vélos Brompton qui ne sont pas enregistrés dans la section My Brompton de notre site web sont couverts par une garantie kilométrage illimité de 2 ans pour les pièces du cadre principal, la période de garantie commençant à la date de vente.

Sur ces périodes de garantie, Brompton Bicycle Ltd garantit que le nouveau vélo Brompton sera exempt de tout défaut de matériau de fabrication et/ou de toute malfaçon au moment de sa fabrication.

- Toute pièce jugée défectueuse durant ces périodes sera réparée ou remplacée par un revendeur ou distributeur Brompton agréé, ou en usine, à l'entière discrétion de Brompton Bicycle Ltd
- Toute pièce remplacée en vertu des conditions générales de garantie sera couverte pour la période de garantie restante du vélo
- Toute pièce remplacée en vertu de la garantie devra être renvoyée à Brompton Bicycle Ltd par le revendeur et/ou le distributeur. Brompton Bicycle Ltd en deviendra alors propriétaire
- Brompton peut, à son entière discrétion, effectuer des réparations ou remplacements de pièces défectueuses qui ne sont plus couvertes par la période de garantie, mais un tel travail ne devra en aucun cas être considéré comme une admission de responsabilité
- Brompton prendra en charge les frais de main-d'œuvre nécessaires aux travaux effectués sous garantie
- La garantie peut être transférée aux propriétaires ultérieurs pour le reste de la période restante.

suite sur la page suivante

Conditions et exclusions :

1. Nous vous recommandons de faire contrôler votre Brompton par un mécanicien qualifié après les premiers 160 km (100 miles) ou après le 1^{er} mois (selon l'événement intervenant le plus tôt), car certains éléments peuvent nécessiter un ajustement et un rodage qui prend un certain temps pour éviter tout endommagement.
2. Remplacements de routine : cette section du manuel du propriétaire présente les composants du vélo qui devront être remplacés dans le cadre des procédures d'entretien et de maintenance de routine du vélo. Ces consignes doivent être suivies, en prenant particulièrement en compte le kilométrage couvert par le vélo, car il affectera le fonctionnement de nombreux composants, p. ex. les câbles de frein, la chaîne, les pignons, etc. Le kilométrage et l'utilisation affecteront également la durée de vie prévue des composants d'aluminium, qui devront être remplacés tous les 8,000 km (5,000 miles) (ou plus tôt en cas d'utilisation en conditions particulièrement intenses/difficiles). Ils n'entrent donc pas dans le cadre des conditions générales de garantie du vélo, qui sont détaillées ci-dessus.
3. La garantie décrite ci-dessus est uniquement valable dans le pays dans lequel le vélo a été acheté.
4. Les vélos exportés d'un pays à l'autre seront pris en charge durant la période de garantie. Des pièces seront en effet envoyées gratuitement par l'usine si nécessaire. Cependant, le distributeur ou revendeur Brompton du nouveau pays facturera normalement la main-d'œuvre nécessaire pour effectuer les réparations sous garantie, ainsi que tout frais de douane d'importation imposé pour les pièces expédiées gratuitement.
5. Le vélo ne doit pas avoir été employé pour une compétition non autorisée, mal utilisé*, soumis à une maintenance inadéquate ou mal entretenu.
6. Le vélo ne doit avoir été soumis à aucune modification, aucune réparation et aucun remplacement autres que ceux autorisés par Brompton Bicycle Ltd.
7. Le vélo doit avoir été entretenu par un revendeur Brompton agréé.
8. Les défauts liés à un mauvais réglage ou à des réparations et modifications effectuées par un revendeur non agréé Brompton ne sont pas couverts par la présente garantie.
9. Les défauts liés à l'utilisation de pièces et accessoires non autorisés par Brompton Bicycle Ltd ne sont pas couverts par la présente garantie.
10. La garantie ne couvre pas le coût du retrait et du remplacement des pièces et accessoires, sauf si ces éléments sont fournis comme équipements d'origine, ou recommandés par Brompton Bicycle Ltd.
11. Les composants dont l'usure est prévue dans le cadre d'un fonctionnement normal, par exemple, les pneus, les ampoules, les chaînes, les dents, les patins de frein, etc. sont exclus des conditions générales de la présente garantie, sauf en cas de défaut de fabrication de la pièce.
12. Les autres éléments exclus de la garantie comprennent la selle, les bagages, la peinture, le chromage, les pièces d'aluminium poli ou l'autocollant dans les cas où la détérioration a été causée par une usure ou déchirure normale, une exposition normale ou un manque d'entretien.
13. Toute batterie/pile fournie avec le vélo est exclue de la garantie, sous réserve qu'elle ne présente aucune fuite au moment de la livraison.
14. La garantie ne couvre pas les vélos utilisés sur une base commerciale, p. ex. par des coursiers ou facteurs, etc.
15. La garantie ne couvre pas les défauts qui n'ont pas été signalés au revendeur agréé sous dix jours à compter de la découverte dudit défaut.
16. Votre vélo nécessitera un entretien plus fréquent s'il est utilisé sous des climats ou conditions difficiles, tels qu'un environnement marin ou des routes fortement salées, en neige profonde (au-dessus de la mi-hauteur des essieux) ou sur terrain très poussiéreux/sablonneux. De tels environnements entraîneront potentiellement une dégradation prématurée des finitions du cadre et des composants, et une telle détérioration est exclue des conditions générales de la présente garantie. Brompton Bicycle Ltd a accordé beaucoup d'attention au choix des matériaux et des techniques de plaquage et de peinture pour fournir une grande qualité esthétique alliée à une grande durabilité à ses clients. Cependant, si vous utilisez souvent votre vélo en conditions environnementales hostiles telles que celles QUI SONT indiquées, il est essentiel que vous laviez et séchiez votre vélo et que vous remplaciez le lubrifiant perdu pour garantir qu'il reste dans les meilleures conditions possibles. Votre revendeur peut vous fournir des informations et conseils supplémentaires si nécessaire. Enfin, l'apparence de votre vélo dépendra beaucoup de la manière dont vous en prendrez soin.
17. Si une réclamation au titre de la garantie devient nécessaire, Brompton Bicycle Ltd et ses distributeurs ou revendeurs ne seront pas tenus pour responsables des frais de transport du vélo vers ou depuis le revendeur Brompton agréé ou des frais encourus lorsque le vélo est hors route, y compris des coûts associés à une perte de capacité d'utilisation, un désagrément, une perte de temps, des pertes commerciales ou d'autres dommages accidentels ou consécutifs.

La présente garantie doit être interprétée conformément à la loi anglaise, et toute question relevant de cette garantie doit être soumise à la juridiction des cours d'Angleterre.

Les déclarations, conditions, représentations, descriptions ou garanties autrement contenues dans un catalogue, une publicité ou autre publication ne doivent en aucun cas être interprétées comme élargissant, modifiant ou annulant les conditions générales du présent document.

Brompton Bicycle Ltd se réserve le droit d'apporter des modifications ou améliorations à n'importe quel modèle ou vélo, sans préavis, et sans obligation de les apporter aux vélos déjà vendus. Cette garantie n'affecte pas vos droits statutaires.

* Les mauvaises utilisations incluent toute utilisation non conforme aux recommandations émises dans le manuel du propriétaire, et toute utilisation contraire aux avertissements fournis dans ce même manuel. De plus, les mauvaises utilisations incluront, sans s'y limiter, toutes les utilisations du vélo qui ne constituent pas des utilisations routières conventionnelles, car votre Brompton est prévu pour être employé sur routes et chemins de bonne facture. Il n'est pas conçu pour le cross-country : pratiquer cette activité peut provoquer une surtension au niveau du cadre. De plus, les roues et les pneus ne sont pas adaptés au cross-country.



BROMPTON BICYCLE LTD
Unit 1 Greenford Park
Ockham Drive
Greenford
Middlesex
UB6 0FD
© Brompton Bicycle Ltd 2020

OM9-2

ISO 4210-2
BICYCLETES DE VILLE ET DE RANDONNÉE

CPSC 16 CFR 1512



BROMPTON



P Line

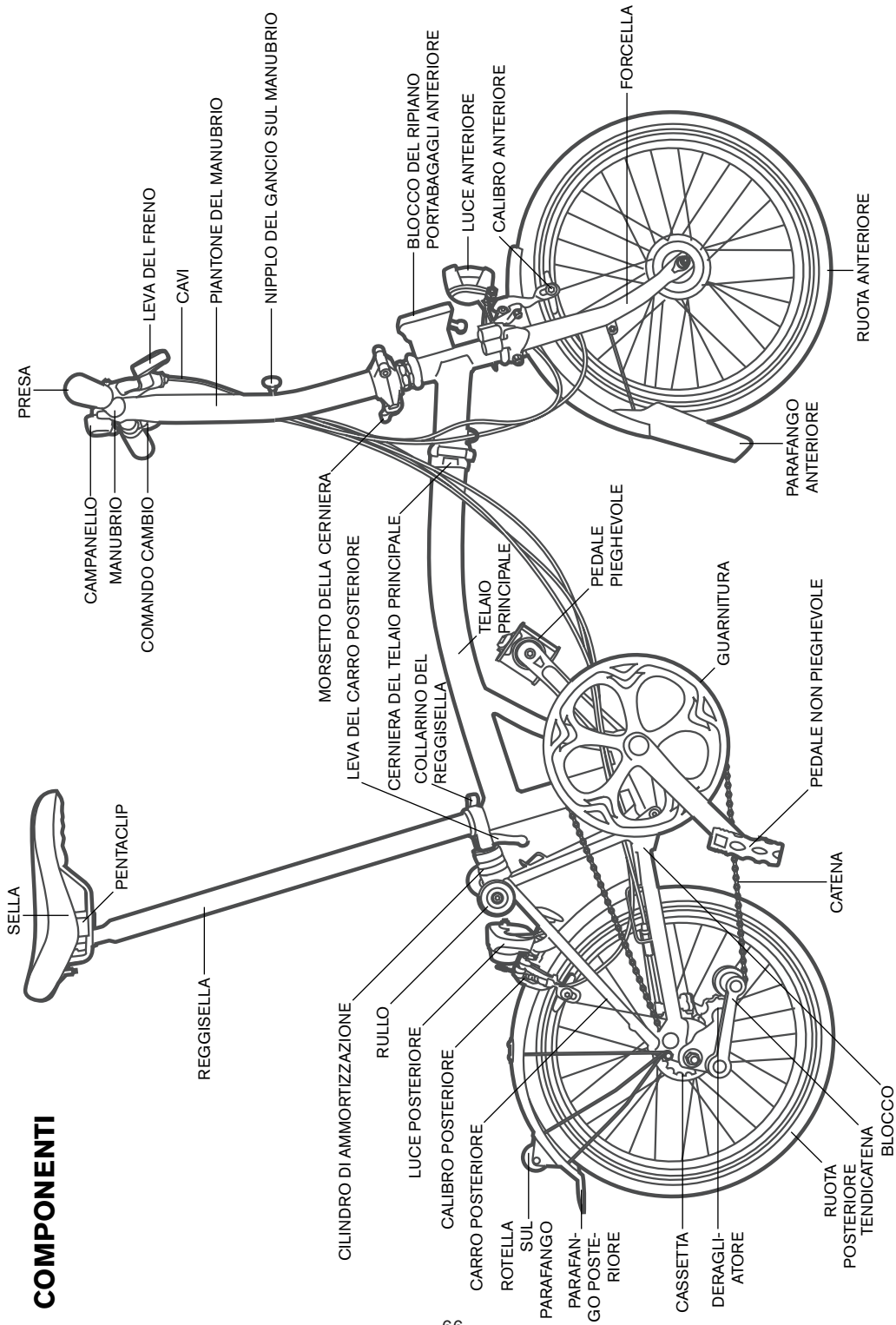
Manuale del proprietario

OM9-2

ISO 4210-2
BICICLETTE DA CITTÀ E DA TREKKING

CPSC 16 CFR 1512

COMPONENTI



SOMMARIO

INTRODUZIONE	68
SICUREZZA	69
APERTURA DELLA BICICLETTA	70
PIEGATURA DELLA BICICLETTA	74
BLOCCO	77
UTILIZZO DELLA BROMPTON P LINE	78
COMANDO CAMBIO	79
FRENI	83
LUCI	83
ATTACCO SUL CARRO POSTERIORE	83
BAGAGLIO	84
PULIZIA E LUBRIFICAZIONE	85
REGOLAZIONE DELLA SELLA	86
MONTAGGIO DI UN REGOLATORE DI ALTEZZA SELLA	87
REGOLAZIONE DELLA LEVA DEL FRENO	89
RUOTA POSTERIORE - RIMOZIONE E MONTAGGIO	91
SOSTITUZIONI ORDINARIE	92
GARANZIA	94



INTRODUZIONE

Prima di utilizzare la Brompton, si consiglia di leggere il presente manuale prestando particolare attenzione alle sezioni riguardanti la piegatura della bicicletta e la sicurezza. Pur essendo una guida, questo manuale non è destinato a fornire informazioni esaustive su come andare in bici o sulla manutenzione della bicicletta.



Per attivare la garanzia estesa di 7 anni è necessario registrare la bicicletta nella sezione My Brompton del nostro sito web, inserendo i dettagli della/delle bici; in questo modo, in caso di furto o se è necessario contattare il proprietario della bicicletta, avremo a disposizione tutti i dati necessari. Viene richiesto di inserire il numero di serie e il numero del telaio: il numero di serie si trova su una targhetta affissa sul retro del telaio principale; il numero del telaio è inciso sul telaio principale vicino alla staffa inferiore. Le informazioni saranno conservate nel database Brompton e non saranno trasferite a terzi (<https://www.brompton.com>)

Se si intende effettuare regolazioni o interventi di manutenzione da sé, è opportuno consultare le sezioni relative riportate nel presente manuale, poiché sussiste la possibilità di commettere errori e rendere difficoltoso il processo di piegatura o danneggiare la bicicletta. Il presente manuale contiene alcuni suggerimenti e consigli sull'utilizzo della Brompton; tuttavia in caso di dubbi sulla manutenzione della bicicletta, consultare un rivenditore Brompton autorizzato. Per un elenco dei concessionari, visitare il nostro sito web: <https://www.brompton.com/Find-a-Store>

Si consiglia di fare ispezionare regolarmente la bicicletta da un rivenditore Brompton.

Il presente manuale è conforme allo standard ISO 4210-2

TRASPORTO E SPOSTAMENTO DELLA BICICLETTA RIPIEGATA

- I proprietari sono responsabili di valutare costantemente il modo in cui utilizzano la bicicletta e sono tenuti a prestare particolare attenzione alla propria sicurezza e incolumità durante l'uso, lo spostamento o il trasporto della bicicletta
- Brompton non si assume responsabilità per eventuali lesioni subite quando si solleva e maneggia la bicicletta ripiegata
- Una bicicletta Brompton ha un peso che varia tra 9 e 14 kg in base alle attrezzature installate
- Il blocco del ripiano portabagagli anteriore può sopportare un peso fino a 10 kg
- I proprietari devono tenere nella dovuta considerazione le proprie specifiche capacità fisiche e il peso della bicicletta e dell'eventuale bagaglio che intendono sollevare o trasportare. Prima di sollevare e/o trasportare la bicicletta e il bagaglio, è indispensabile considerare di volta in volta anche le condizioni del percorso, del terreno e così via
- Rimuovere sempre il bagaglio dalla bicicletta ripiegata per evitare di dover sollevare o trasportare il peso combinato di entrambi
- Nei luoghi in cui non è possibile guidare la Brompton (ad esempio, all'interno di una stazione ferroviaria), è opportuno spingerla fin dove possibile, quindi ripiegarla e trascinarla sulle rotelle posteriori in modo da sollevarla solo per brevissime distanze
- Per il massimo comfort, si consiglia di trasportare la bicicletta ripiegata con una mano sola, preferibilmente tenendola di lato, con il braccio diritto. La bicicletta deve essere afferrata per la sella o per il telaio principale al di sotto la sella, come risulti più comodo
- Se occorre trasportare la bicicletta per una certa distanza, per non stancarsi eccessivamente è consigliabile passarla da una mano all'altra, in funzione delle proprie capacità
- Il trasporto della bicicletta con due mani è consigliabile solo per brevissime distanze, visto che è possibile solo con la bici tenuta all'altezza del petto/dello stomaco per evitare che urti contro le gambe o le ginocchia; le braccia, inoltre, devono essere piegate a circa 90 gradi, in una posizione piuttosto faticosa da sostenere a lungo

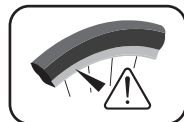
Le rotelle installate di serie sulla Brompton sono utili per spingere la bicicletta ripiegata in spazi ristretti. Usando il manubrio sollevato come maniglia, le rotelle possono essere utilizzate per trascinare la bicicletta solo per brevi distanze e su superfici lisce. Ricordare di sollevare leggermente il reggisella dalla posizione completamente abbassata, in modo che non impedisca il movimento della bicicletta; attenzione però a non sollevarlo eccessivamente, per evitare che la bicicletta si apra. La bicicletta piegata non può essere usata come sgabello né per sedersi.

SICUREZZA

La Brompton è progettata per l'uso su strade e percorsi non accidentati ed è in grado di sostenere un carico massimo non superiore a 110 kg (peso del ciclista più bagaglio). Una Brompton non è adatta alle acrobazie, alle corse in aperta campagna o per sport estremi. Deve essere utilizzata per l'uso a cui è destinata. L'uso erraneo può comportare il guasto di alcuni componenti e invalidare la garanzia Brompton. Si sconsiglia di installare un seggiolino per bambini sulla Brompton; ciò invalida la garanzia Brompton.

Prima di utilizzare con la Brompton per la prima volta e periodicamente in seguito, prestare particolare attenzione a quanto segue:

- Si consiglia di indossare un casco da ciclista omologato anche nei Paesi in cui il suo utilizzo non è obbligatorio
- Leggere e attenersi ai requisiti di legge in vigore nel Paese in cui si utilizza la bicicletta e rispettare scrupolosamente il codice stradale locale
- Accertarsi che i cerchioni delle ruote siano puliti e non danneggiati lungo la superficie di frenata e verificare che non siano eccessivamente usurati. Se non si è certi della sicurezza dei cerchioni, farli ispezionare da un rivenditore autorizzato Brompton
- Controllare regolarmente freni, pneumatici e manubrio
- Mantenere i freni e il comando cambio correttamente regolati e i cavi in buone condizioni
- In caso di pioggia, i freni possono essere meno efficaci e le strade più scivolose, perciò considerare tempi di frenata più lunghi
- Controllare che tutti i dadi delle ruote siano serrati in modo appropriato (v. la tabella dei valori di coppia a pagina 77)
- Nel Regno Unito, la leva del freno sinistra aziona il freno posteriore, mentre quella destra aziona il freno anteriore (questa configurazione può variare in base al Paese)
- Quando si pedala al buio, indossare indumenti riflettenti e utilizzare le luci (anteriore e posteriore); verificare che le luci siano conformi alle leggi locali



Prima o dopo ogni utilizzo, prestare particolare attenzione a quanto segue:

- Accertarsi che il morsetto del reggisella sia serrato e che la sella si trovi all'altezza corretta
- I morsetti della cerniera devono essere in posizione, con le leve serrate saldamente
- Durante la piegatura e l'apertura, e durante l'utilizzo e la manutenzione, evitare di appoggiare le mani o le dita nei punti in cui possono restare intrappolate o incastrate
- Per evitare possibili lesioni, accertarsi che la bicicletta sia piegata o aperta correttamente

ATTENZIONE!

Molti componenti della bicicletta vengono sottoposti a elevate sollecitazioni e se si utilizza la Brompton per percorsi lunghi, con carichi pesanti o in modo aggressivo possono raggiungere la fine del loro ciclo di vita; in particolare, la lega di alluminio ha una resistenza alla fatica limitata. La rottura durante l'uso può causare lesioni. Si consiglia di controllare tutte le parti portanti per rilevare eventuali segni di danni, corrosione o crepe: se necessario, sostituirle. In caso di dubbi, rivolgersi a un rivenditore Brompton autorizzato per una consulenza esperta.

La bicicletta non deve subire alterazioni, riparazioni o sostituzioni diverse da quelle autorizzate da Brompton Bicycle Ltd. Gli interventi di assistenza devono essere affidati a un rivenditore Brompton autorizzato.

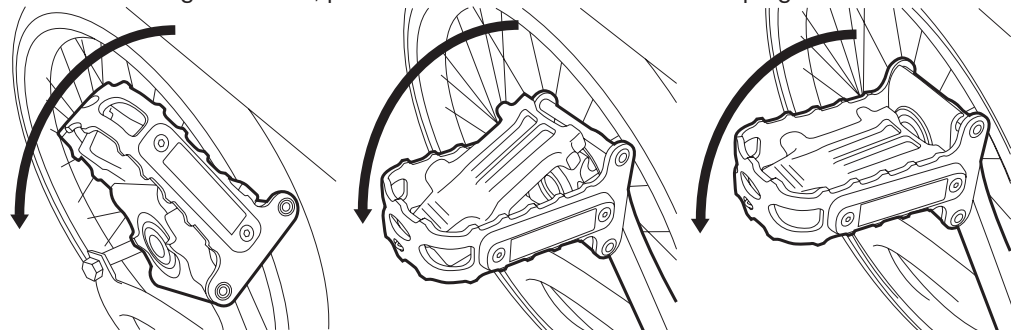
Se la bicicletta ha subito uno scontro o un impatto, smettere immediatamente di utilizzarla e farla ispezionare da un rivenditore Brompton. I componenti danneggiati devono essere sostituiti prima di poter utilizzare di nuovo la bicicletta. Qualsiasi graffio o intaglio profondo negli elementi in alluminio può indebolirli gravemente e causarne il guasto prematuro.

Nota: si consiglia l'utilizzo di parti di ricambio originali Brompton per i componenti che sono essenziali per la sicurezza.

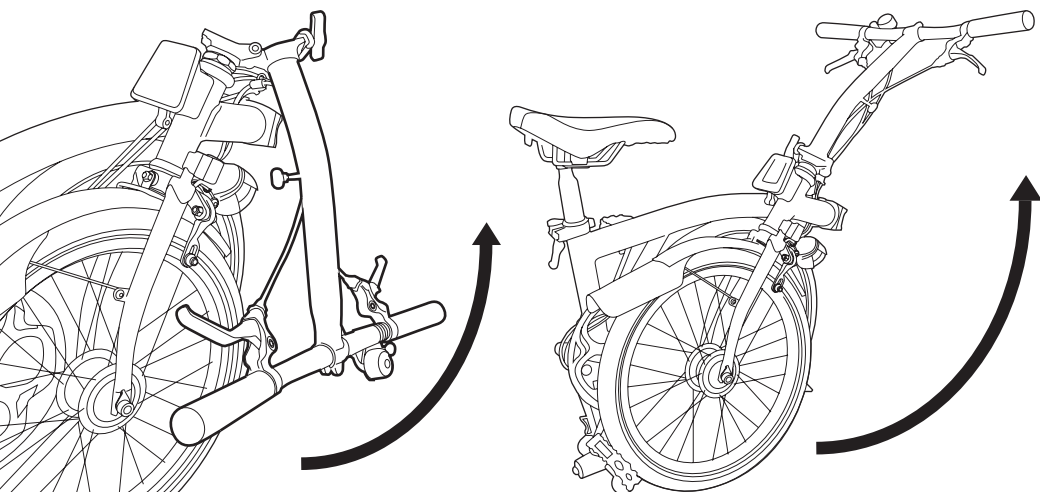
APERTURA DELLA BICICLETTA

Osservare per qualche istante la bicicletta ripiegata; ciò può essere d'aiuto quando si dovrà ripiegarla nuovamente.

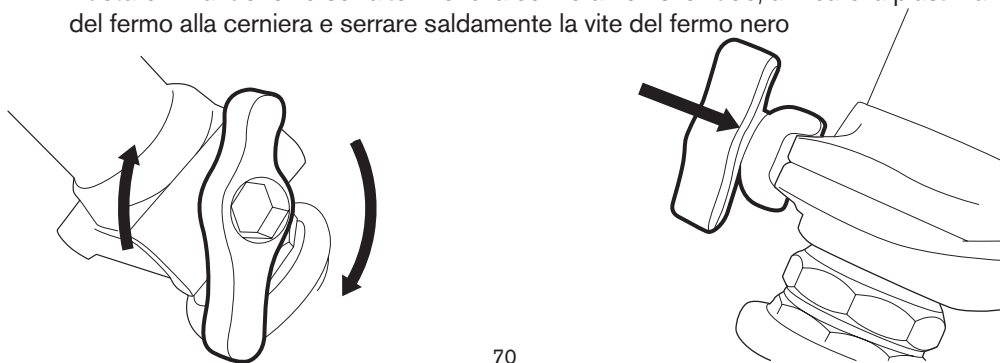
Posizionarsi a sinistra della bicicletta (lato opposto alla guida). Aprire il pedale sinistro tirando verso di sé la gabbia metallica dentata. Durante l'operazione, osservare il movimento del gancio nero, poiché esso sarà d'aiuto durante la ripiegatura.



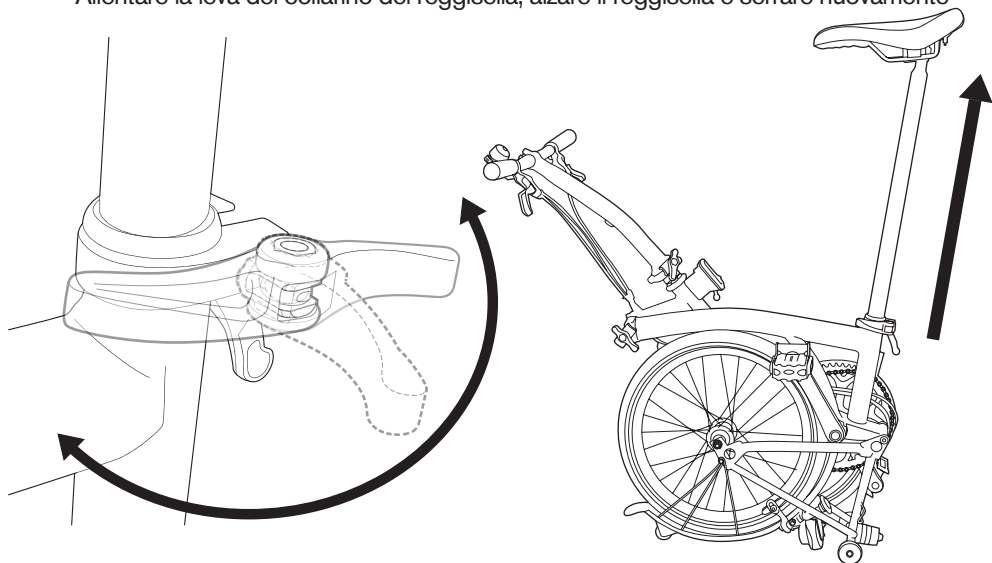
- Per liberare il manubrio, spingere con decisione verso il basso l'estremità del manubrio più vicina a sé, con il palmo della mano sinistra



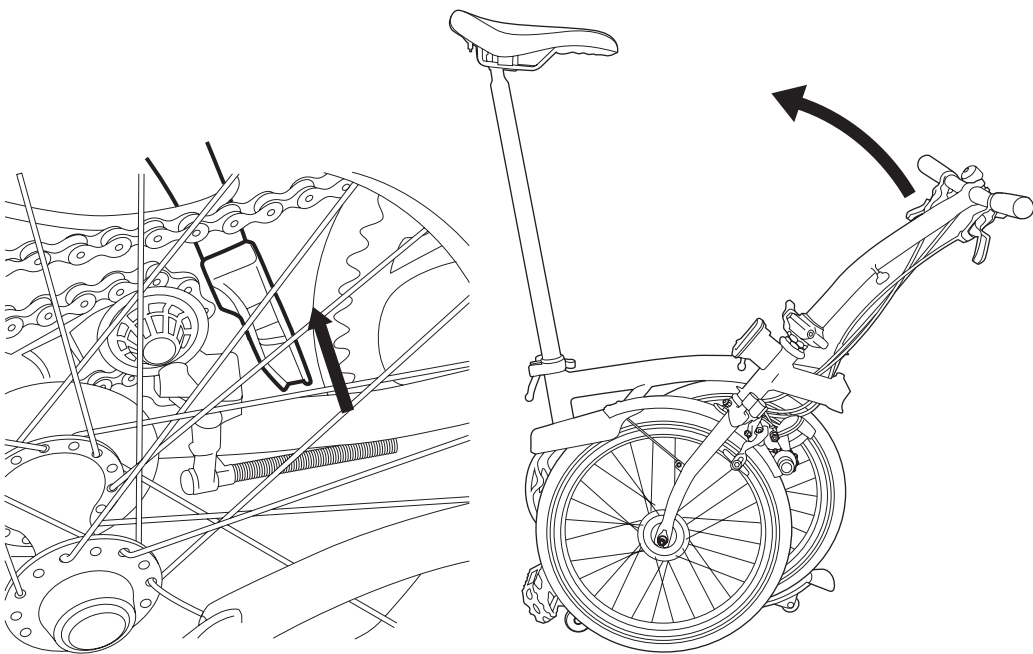
- Ruotare il manubrio verso l'alto finché la cerniera non si chiude, allineare la piastrina del fermo alla cerniera e serrare saldamente la vite del fermo nero



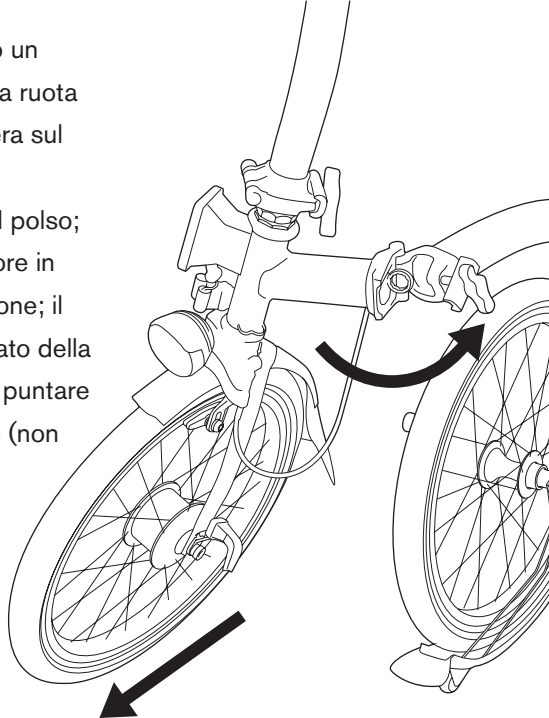
- Allentare la leva del collarino del reggisella, alzare il reggisella e serrare nuovamente



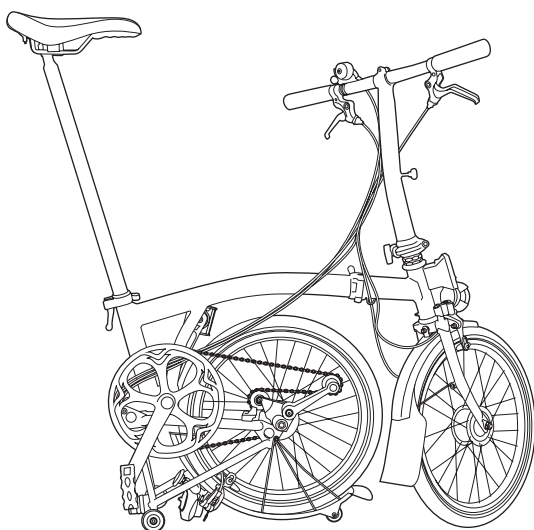
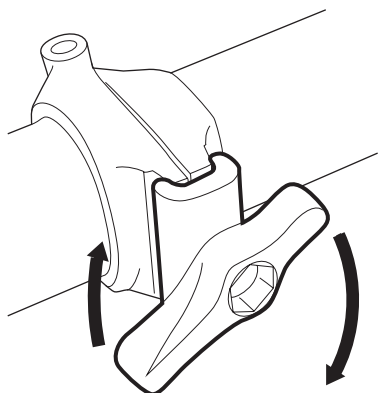
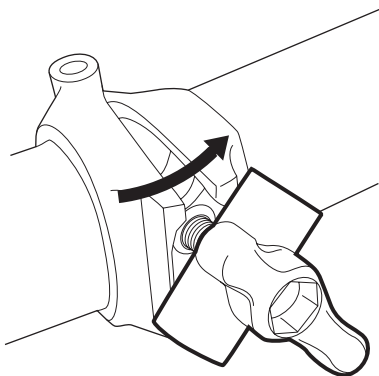
- Mettere la mano destra sulla sella e tenere il piantone del manubrio con la mano sinistra, accanto alla cerniera
- Guardando verso il basso, dove la catena corre tra le due ruote, si vedrà il gancio nero che tiene la ruota anteriore fissata al resto della bicicletta
- Sollevare il piantone del manubrio con la mano sinistra, per alzare il gancio al di sopra del tubo su cui poggia



- Inclinare la mano sinistra formando un arco per spingere via la forcella e la ruota anteriore; spingere finché la cerniera sul telaio principale non si chiude
- Durante l'operazione non piegare il polso; accertarsi di tenere la ruota anteriore in modo che punti nella stessa direzione; il gancio deve rimanere sul proprio lato della bicicletta e la ruota anteriore deve puntare in avanti con una lieve angolazione (non parallela alla ruota posteriore)

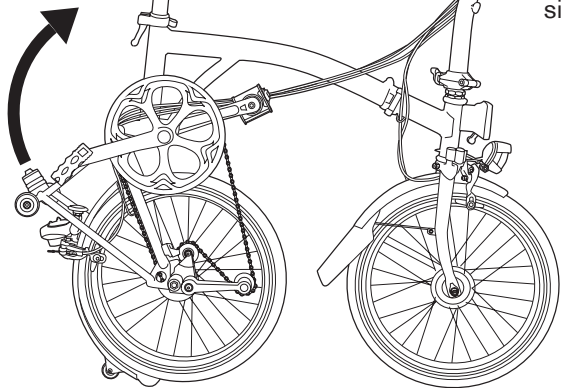


- Ora la cerniera sul telaio principale dovrebbe essere chiusa
- Allineare la piastrina di serraggio della cerniera e serrare saldamente la vite del fermo nero

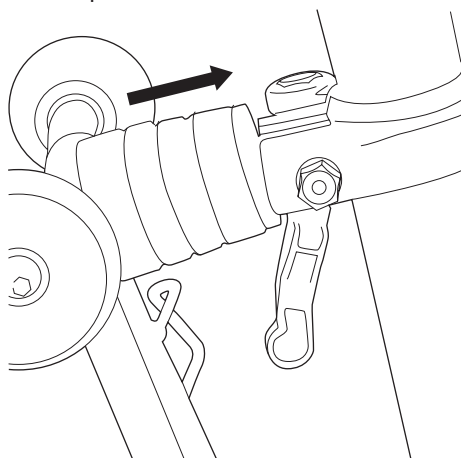


A questo punto la bicicletta è in posizione di "parcheggio" e si regge da sé.

- Per completare la procedura di apertura, tenere il manubrio con la mano sinistra, con la mano destra sollevare velocemente la bicicletta afferrandola per la sella e lasciare che la ruota posteriore giri all'indietro e in posizione



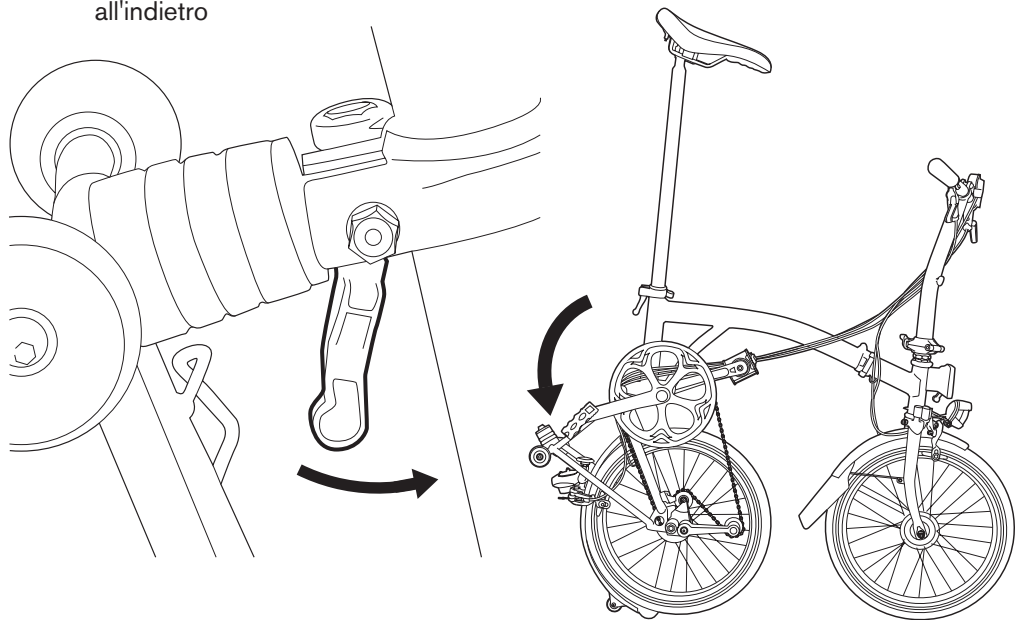
- Premere sulla sella per accertarsi che il blocco della sospensione sia spinto contro il telaio principale; si deve avvertire uno scatto evidente quando si blocca in posizione



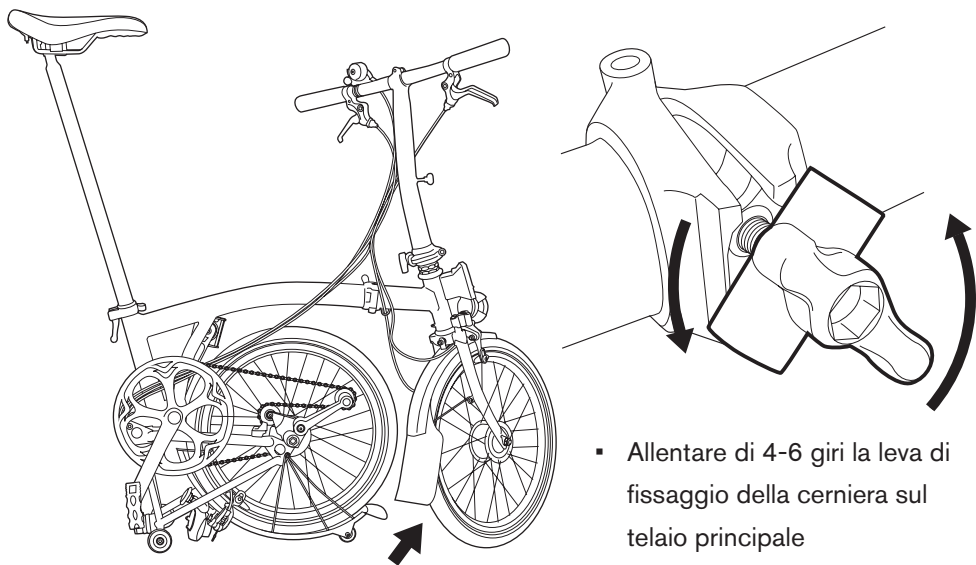
Ora la bicicletta è aperta e pronta all'uso

PIEGATURA DELLA BICICLETTA

- Ruotare leggermente il manubrio verso sinistra in modo che non sia parallelo alla ruota posteriore e ruotare le pedivelle in modo tale che il pedale destro punti all'indietro

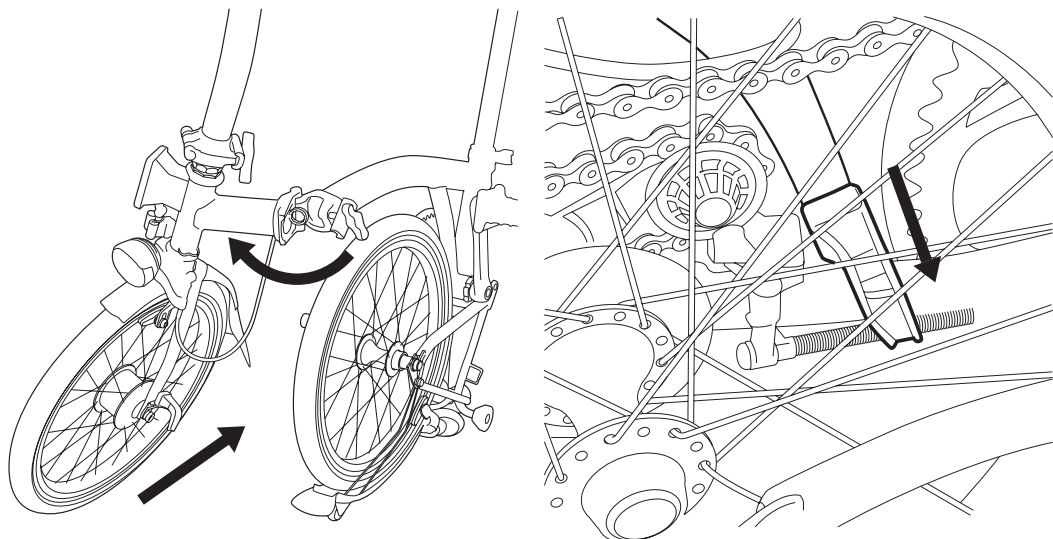


- Dietro e sotto il collarino del reggisella è presente una levetta nera. Premerla in avanti, quindi sollevare velocemente il retro della bicicletta in modo che la ruota posteriore giri sotto il telaio; a questo punto abbassare la bicicletta per farla posare in posizione "parcheggio"

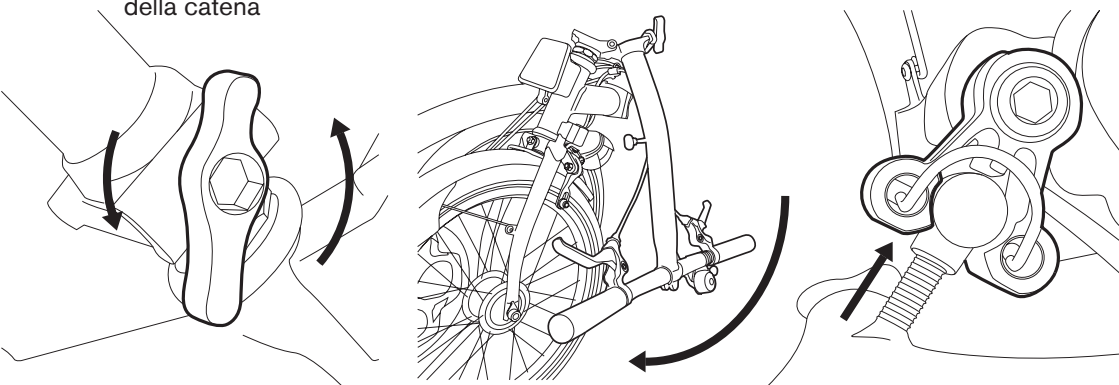


- Allentare di 4-6 giri la leva di fissaggio della cerniera sul telaio principale

- Con la mano sinistra tenere il piantone del manubrio sopra il raccordo di plastica, allontanare la ruota anteriore spostandola verso destra

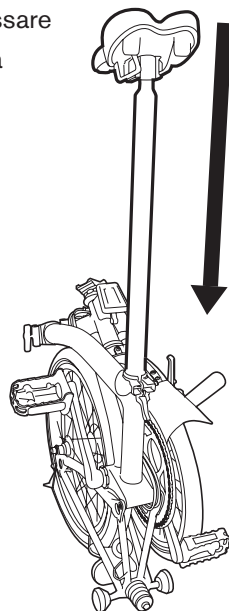
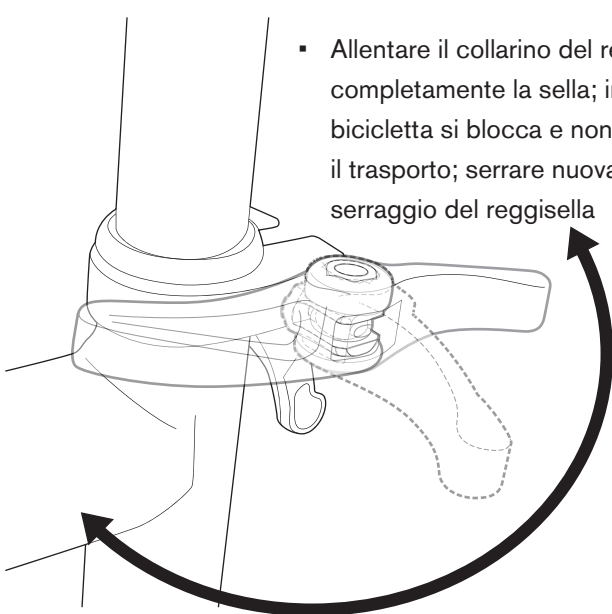


- Con un movimento rotatorio in senso orario girare il piantone, evitando di piegare il polso e tenendo il gancio di fronte a sé, finché la ruota anteriore non è accanto a quella posteriore; può essere necessario sollevare leggermente la parte anteriore della bicicletta
- Abbassare il gancio nero sopra il carro posteriore, sotto la sezione superiore della catena

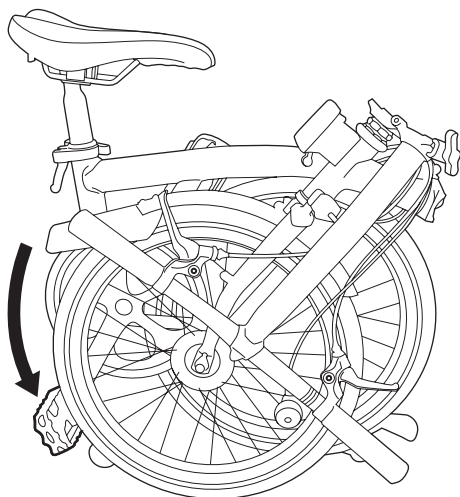


- Allentare di 4-6 giri la leva di fissaggio della cerniera sul piantone del manubrio e lasciarlo cadere; il raccordo sul manubrio si innesta nella clip montata sulla parte superiore della forcella, fissandolo saldamente alla bicicletta

- Allentare il collarino del reggisella e abbassare completamente la sella; in questo modo la bicicletta si blocca e non si apre durante il trasporto; serrare nuovamente la leva di serraggio del reggisella



- Portare verso l'alto il pedale sinistro, quello destro dovrebbe riporsi sotto la ruota anteriore
- Piegare il pedale sinistro premendo verso l'alto la placca nera centrale, quanto basta per farlo passare sopra l'estremità del braccio della pedivella e metterlo in posizione verticale
- Se non si riesce a sollevare la placca, ruotare nuovamente il pedale e riprovare



A questo punto la bicicletta è ripiegata e pronta per essere sollevata e trasportata. Le selle Brompton sono dotate di una presa su misura sotto la "punta" della sella.

Il pedale sinistro non deve essere piegato quando si ruotano le pedivelle, poiché può incastrarsi nel carro posteriore e danneggiare la bicicletta.

BLOCCO

REGOLAZIONE

Quando si solleva, la bicicletta piegata non si apre perché il blocco LB è a contatto con il tubo sella SP per fermare in posizione il carro posteriore. Il blocco LB è regolabile e può essere posizionato in modo da collocarlo alla giusta distanza rispetto al tubo sella SP. Se la distanza è insufficiente, il blocco sarà di ostacolo al tubo quando si piega la bicicletta; se la distanza è eccessiva, la bicicletta piegata potrà aprirsi parzialmente quando viene sollevata.

La regolazione del blocco LB risulta più semplice se la bicicletta è completamente piegata e il tubo sella sollevato. Quando il tubo sella è sollevato, verificare che sia fissato in posizione con il collarino del reggisella.

Per ridurre la distanza tra il blocco LB e il tubo sella SP (fig. 1), utilizzare una chiave esagonale da 4 mm, svitare di mezzo giro per volta la vite a testa esagonale all'interno del blocco LB e abbassare il tubo sella per verificare che abbia gioco. Se la distanza è ancora eccessiva, svitarla di altro mezzo giro e controllare nuovamente il tubo sella. Ripetere la procedura fino a ottenere la distanza corretta.

SPINTA/TRAINO DELLA BICICLETTA PIEGATA

Una volta piegata, la bicicletta può essere sollevata e trasportata oppure anche spinta/trainata. Quando la bicicletta è piegata, sollevare la sella finché la base del tubo sella entra in contatto con il blocco (fig. 2). Visto che il blocco è comunque in contatto con il tubo sella, la bicicletta è ben salda in posizione piegata, ma con la sella leggermente sollevata. La sella sollevata può essere utilizzata come maniglia per spingere/trainare la bicicletta.

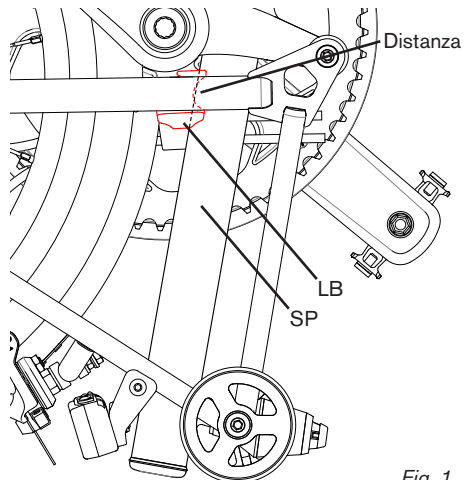


Fig. 1

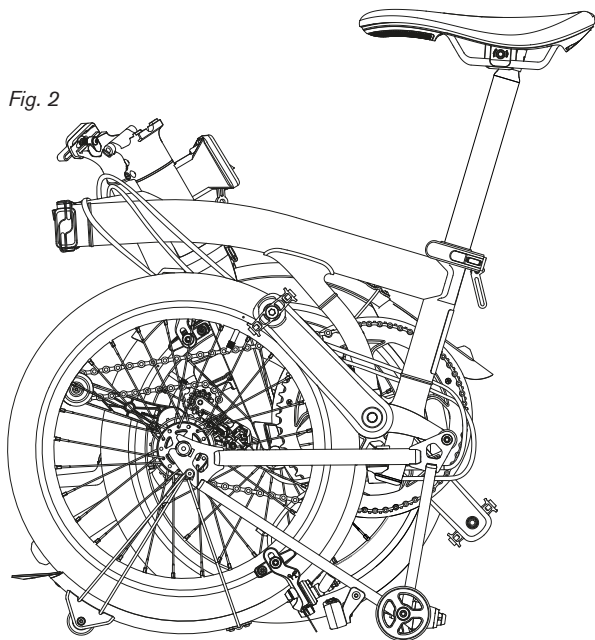


Fig. 2

UTILIZZO DELLA BROMPTON

PRESSIONE DEI PNEUMATICI

La pressione dei pneumatici è importante sia per il comfort sia per la sicurezza. Attenersi ai suggerimenti seguenti per una pedalata sicura e confortevole.

È importante mantenere i pneumatici ben gonfi; se sgonfi, i pneumatici fanno aumentare lo sforzo della pedalata (non è molto divertente!), si usurano rapidamente e incidono in modo negativo sulla manovrabilità. **Si consiglia vivamente di mantenere ben gonfi i pneumatici della bicicletta.**

La pressione più adeguata dipende dal peso e dalle preferenze del ciclista. Ricordare, però che un pneumatico molto duro non sempre è più veloce. Un pneumatico duro può essere più veloce al velodromo, ma una pressione inferiore consente di cambiare direzione più facilmente su superfici stradali accidentate e irregolari, assicurando così maggiore velocità e una guida più confortevole. In generale, si consiglia una pressione leggermente inferiore per la ruota anteriore e leggermente superiore per quella posteriore, per tenere conto della diversa distribuzione del peso tra i due pneumatici.

Le biciclette Brompton sono dotate di valvole Schrader, che consentono vari metodi di gonfiaggio. La pompa Brompton è installata sul carro posteriore delle Brompton all-steel con parafanghi. Quando si ricolloca la pompa sulla bicicletta, accertarsi che si innesti perfettamente negli appositi supporti del carro posteriore. È anche possibile utilizzare una pompa manuale standard o un erogatore di aria compressa (come quelli che si trovano presso le stazioni di servizio).

Nella tabella seguente sono riportate le pressioni consigliate per i pneumatici in dotazione alle Brompton P Line.

	MARATHON RACER		SCHWALBE ONE		CONTINENTAL CONTACT URBAN	
	MIN(psi)	MAX(psi)	MIN(psi)	MAX(psi)	MIN(psi)	MAX(psi)
ANTERIORE	65	110	65	100	65	116
POSTERIORE	65	110	65	100	65	116

VALORI DI COPPIA

Qui è illustrato un elenco dei valori di coppia per i componenti principali.

Questi componenti devono essere ispezionati regolarmente e durante gli interventi di riparazione e manutenzione regolari della bicicletta.

Se i componenti non sono serrati alla coppia corretta, possono causare danni o rompersi, causando una perdita di controllo della bicicletta e potenziali incidenti.

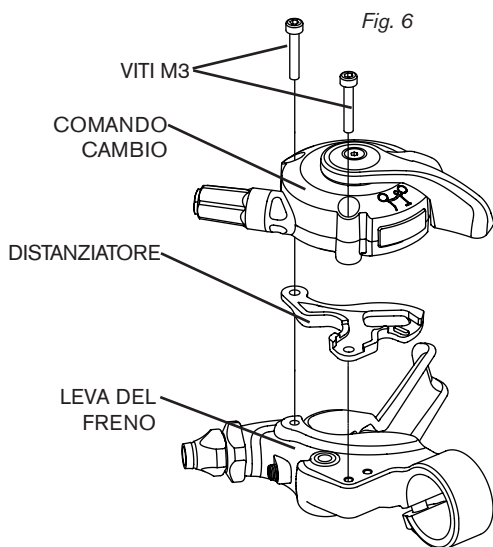
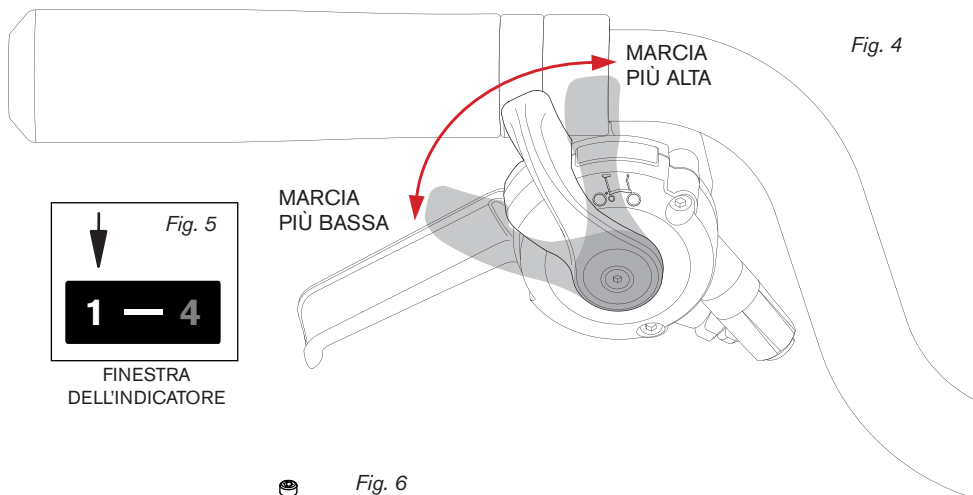
*Non tentare mai di modificare l'altezza del piantone nel punto di ingresso nella forcella anteriore; deve essere perfettamente inserito nella forcella fino al punto d'arresto. Se occorre regolare l'allineamento del piantone sulla ruota anteriore, verificare che il bullone di fissaggio sia serrato correttamente prima di utilizzare la bicicletta.

Se il piantone non è perfettamente inserito o non è serrato correttamente, può causare lo spostamento o il mancamento della parte in uso.

Nome componente	Coppia (Nm)
Fissaggio ruota anteriore	7
Fissaggio ruota posteriore	7
Bulloni delle leve dei freni	2
Dado di sospensione tendicatena	5
Bulloni della corona	10
Bulloni delle pedivelle	30
Asse ruota anteriore per Dinamo/ruote Superlight	8
Bulloni di fissaggio del blocco del ripiano portabagagli anteriore	4.5
Bullone di fissaggio gancio della ruota anteriore	3.5
Bullone espansore del supporto sul manubrio*	30
Bullone di fissaggio del gancio sul manubrio	9
Bullone morsetto manubrio	18
Dado calibro del freno	8
Bullone di serraggio cavo (calibro) del freno	8
Pedali	30
Pentaclip	10
Fissaggi parafango	2
Bullone cerniera posteriore	10
Vite di montaggio deragliatore	2

4 RAPPORTI DI VELOCITÀ BROMPTON

Per passare da una marcia all'altra, il cambio a 4 velocità fa uso di una leva a ritorno automatico. Spingerla con il pollice per passare a una marcia più bassa, e sollevarla per passare a una marcia più alta (fig. 4). Per cambiare marcia più agevolmente e per evitare di danneggiare i componenti, si consiglia di effettuare il cambio marcia pedalando. La marcia innestata è visibile nella finestra dell'indicatore (figg. 4, 5).



MONTAGGIO DEL COMANDO CAMBIO

Il comando cambio si monta sulla leva del freno sinistro e viene tenuto in posizione da due viti M3. Le viti vanno serrate a **0.6Nm**. Non serrare eccessivamente le viti, per non ridurre le prestazioni del comando cambio e danneggiare i componenti.

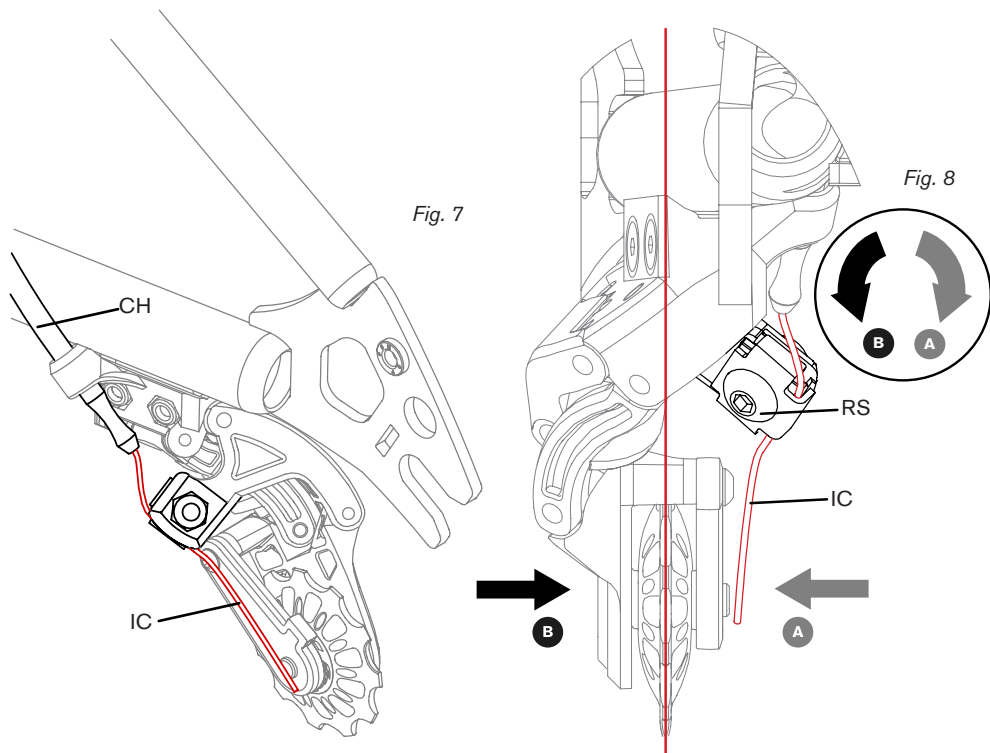
Di serie tra il comando cambio e la leva del freno è inserito un distanziatore (fig. 6). Il distanziatore è fondamentale per mantenere la distanza tra la leva del cambio e la presa.

MANUTENZIONE

È essenziale che i componenti funzionali fondamentali, ad esempio la catena, la cassetta e il deragliatore, siano sempre ben puliti e lubrificati. Se vengono tenuti sempre puliti, dureranno più a lungo e funzioneranno meglio. Un accumulo di grasso e sporco sulla trasmissione può impedire il corretto funzionamento degli ingranaggi.

REGOLAZIONE

Se le marce generano rumore eccessivo o cominciano a saltare e il fenomeno non è dovuto alla presenza di sporcizia e impurità sui componenti, la possibile causa è la tensione del cavo. Questo problema è tipico soprattutto sulle biciclette nuove oppure se sono stati installati dei cavi nuovi e può essere risolto tendendo il cavo; **vedere di seguito le istruzioni per mettere in tensione il cavo**. Lo stesso problema può verificarsi anche se il deragliatore non è allineato correttamente; in questo caso sono interessate la marcia più alta e la più bassa. Se la causa del problema è il deragliatore, è necessario regolare le due viti di finecorsa LS all'esterno del deragliatore. **Vedere di seguito le istruzioni sulle viti di finecorsa**.



TENSIONE DEL CAVO

Per ripristinare la tensione se il cavo si è allentato, collocare la bicicletta su un supporto. Girare il regolatore a cilindro (fig. 10) di un quarto di giro per volta verso l'esterno, ogni volta facendo ruotare i pedali e ascoltando il rumore che si riduce. Procedere anche a un'ispezione visiva per assicurarsi che la puleggia sul deragliatore sia allineata con la ruota dentata selezionata sulla cassetta. Se la bicicletta non riesce a raggiungere la ruota dentata più grande, significa che la tensione è eccessiva; in tal caso girare il regolatore a cilindro verso l'interno per correggere il problema (fig. 10). Se questo accorgimento non consente di risolvere il problema originario, passare alla ruota più piccola sulla cassetta e allentare il bullone che fissa in posizione il cavo all'interno del deragliatore (figg. 7, 8). Utilizzare delle pinze piccole per tirare l'estremità IC del cavo interno in modo da aumentarne la tensione; quindi serrare il bullone RS (fig. 8).

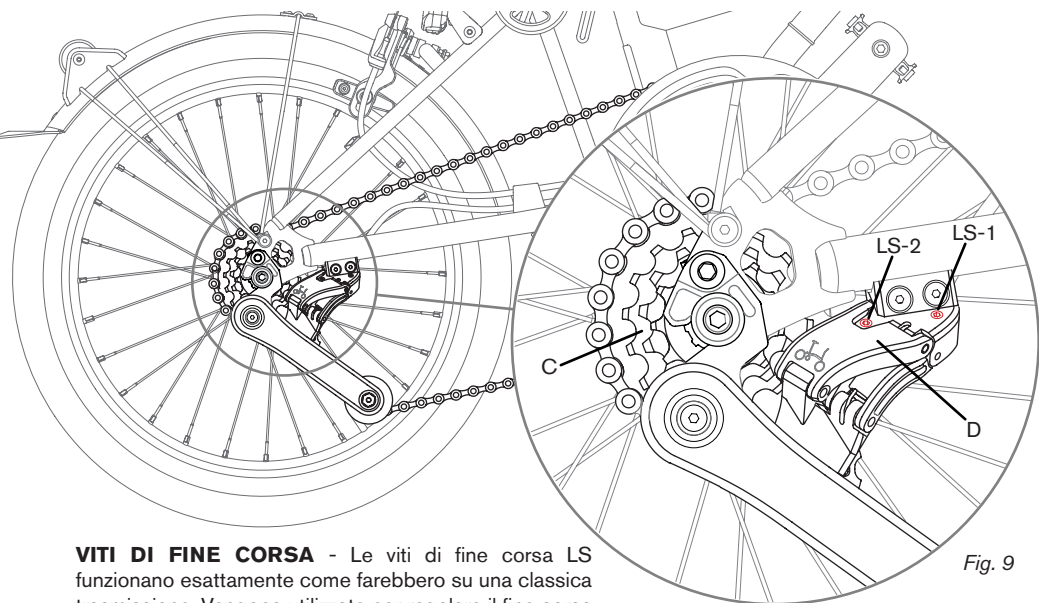


Fig. 9

VITI DI FINE CORSA - Le viti di fine corsa LS funzionano esattamente come farebbero su una classica trasmissione. Vengono utilizzate per regolare il fine corsa interno ed esterno della catena spostata dal deragliatore. In caso di difficoltà con la marcia più alta o più bassa, può essere necessario regolare le vite di fine corsa.

LS-1 viene utilizzato per allineare la ruota dentata più grande sulla cassetta. LS-2 è per la più piccola (fig. 8).

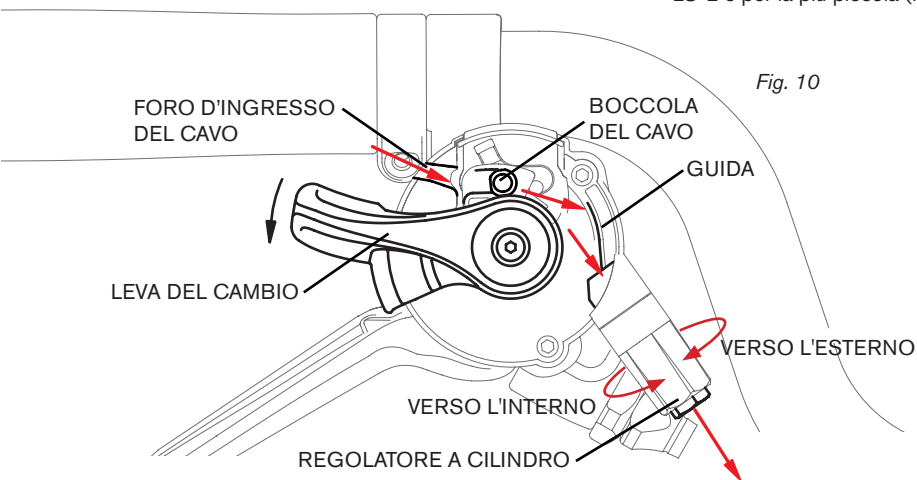


Fig. 10

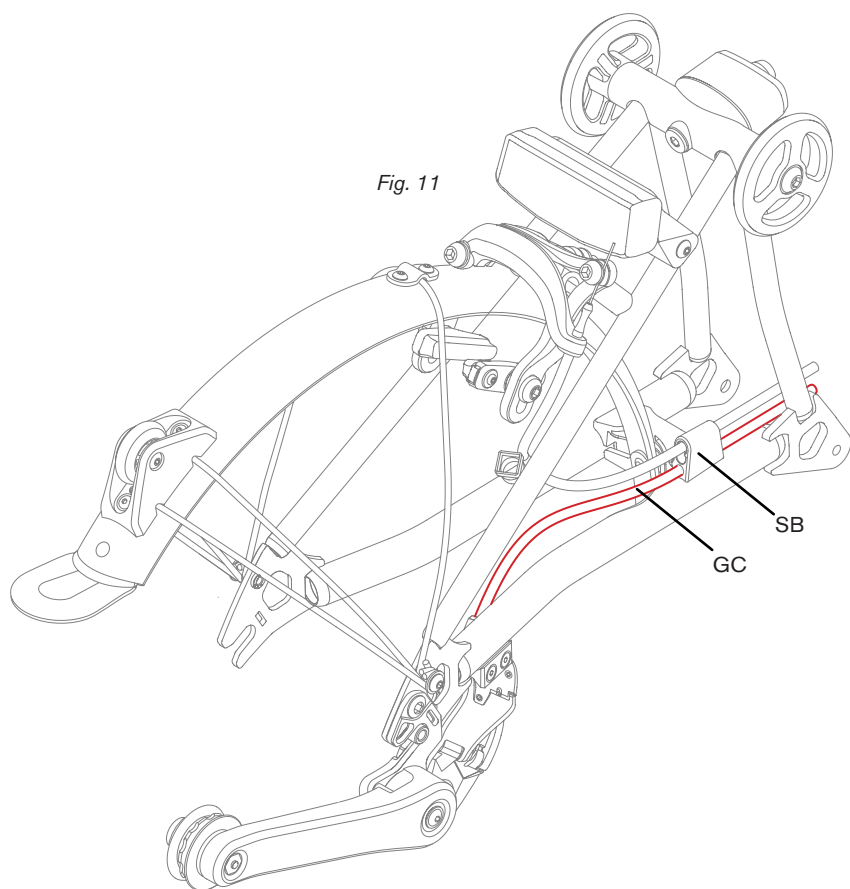
INSTALLAZIONE DI UN NUOVO CAVO

- Avvitare a fondo il regolatore a cilindro in senso orario e poi svtarlo di 2 giri
- Selezionare la marcia più bassa (1) e abbassare la leva del cambio in modo che non ostruisca il foro d'ingresso del cavo
- Infilare il cavo della marcia nel comando cambio imprimendogli una leggera inclinazione verso il basso e attraverso la boccola del cavo
- Se si incontra resistenza quando si spinge il cavo nella boccola, tirarlo indietro leggermente e riprovare
- Quando si avverte che il cavo passa attraverso la boccola, continuare a infilarlo fino a sentire una leggera resistenza
- Proseguire in modo che il cavo si svolga lungo la guida all'interno del comando cambio e fuoriesca attraverso il regolatore a cilindro.

NON FORZARE IL CAVO PER NON RISCHIARE DI DANNEGGIARE IL COMANDO CAMBIO

REGOLAZIONE DELLE MARCE

- Inserire il cavo interno IC nel suo alloggiamento CH
- Infilarlo completamente, finché non fuoriesce all'altra estremità
- Sistemare il cavo lungo il telaio della bicicletta, seguendo lo stesso percorso del cavo esistente. Questa sistemazione è fondamentale per poter piegare la bicicletta
- Quando il cavo raggiunge il carro posteriore, infilarlo attraverso il blocco d'arresto (fig. 11)
- Con un paio di pinze a becco o un attrezzo analogo, infilare il cavo nell'alloggiamento e poi nel deragliatore
- Serrare il bullone che fissa in posizione il cavo all'interno del deragliatore (fig. 8)
- Utilizzare il regolatore a cilindro sul comando cambio per regolare la tensione del cavo come necessario (fig. 10)
- Svitando il regolatore si aggiunge tensione al cavo, migliorando il passaggio alla marcia inferiore (fig. 10)
- Avvitando il regolatore verso l'interno si riduce la tensione, migliorando il passaggio alla marcia superiore
- La puleggia sul deragliatore deve essere allineata con la ruota dentata della marcia innestata sulla cassetta (fig. 10).



Freni

È necessario regolare i freni sistematicamente, poiché sono cruciali per la sicurezza. Il tempo tra le regolazioni varia in funzione della frequenza d'uso della Brompton; se la leva del freno tocca la barra del manubrio quando la si aziona, i freni necessitano di urgente regolazione. I freni devono essere impostati in modo che i pattini siano il più possibile vicini ai cerchioni senza interferire con le ruote. La regolazione viene effettuata mediante l'arresto filettato del cavo sulla leva del freno. In caso di dubbi su questa procedura, recarsi presso un rivenditore Brompton o un tecnico qualificato.

- Quando si regola il freno posteriore, la bicicletta deve essere aperta
- Quando si regola il freno anteriore, attenzione a non avvicinare troppo i pattini, per evitare interferenze con il cerchione quando si gira la ruota a destra o a sinistra
- Sostituire i pattini dei freni se le scanalature sulla loro superficie hanno una profondità inferiore a 1 mm

La pulizia costante di cerchioni e pattini dei freni migliora le prestazioni di frenata e aumenta il ciclo di vita utile di questi componenti. Il residuo scuro che si accumula sui cerchioni è una miscela di sporco, residuo dei pattini e polvere di alluminio generata dall'usura della superficie frenante del cerchione; tale residuo è abrasivo e tende ad accelerare l'usura dei cerchioni e dei pattini. Durante la pulizia di cerchioni e pattini, accertarsi che non siano completamente usurati; in tal caso devono essere sostituiti immediatamente.

Illuminazione

Sulle Brompton sono disponibili due opzioni di illuminazione: una lampadina anteriore e una posteriore alimentate a batteria e un sistema a dinamo nel mozzo che genera elettricità con il movimento. Questi sistemi di illuminazione Brompton possono essere installati su tutti i nostri modelli. Utilizzarli in conformità alle leggi locali. Per ulteriori informazioni tecniche relative al funzionamento delle luci a batteria e del sistema a dinamo nel mozzo, consultare la sezione tecnica sul nostro sito web <https://www.brompton.com>

ATTACCO SUL CARRO POSTERIORE

Per sbloccare il carro posteriore spingere in avanti la levetta (fig. 12) e sollevare la bicicletta in modo che il blocco della sospensione si allontani dal fermaglio e la ruota posteriore oscilli sotto il telaio. Abbassare la bicicletta in modo che poggi in posizione parcheggio.

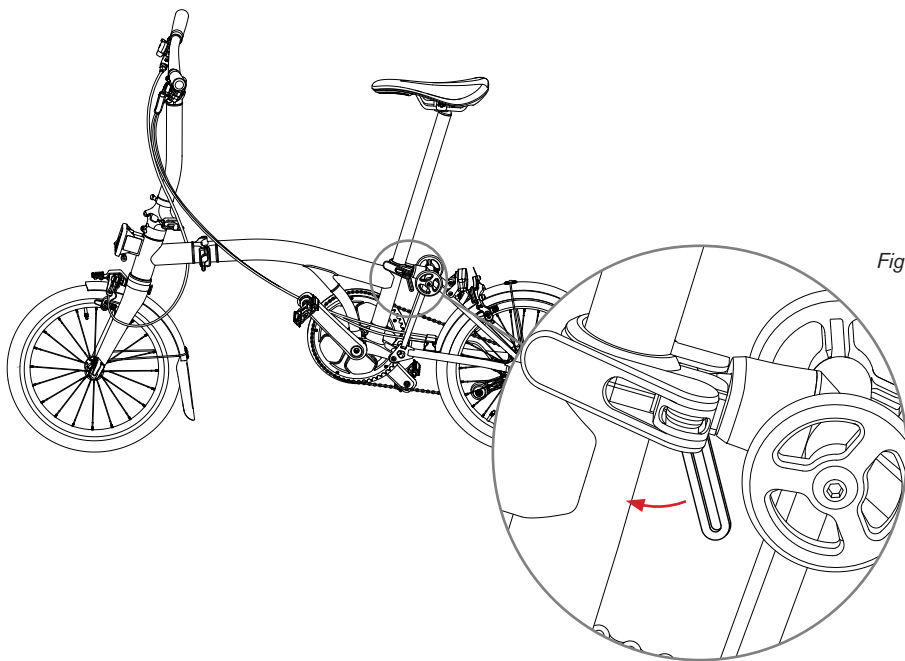


Fig. 12

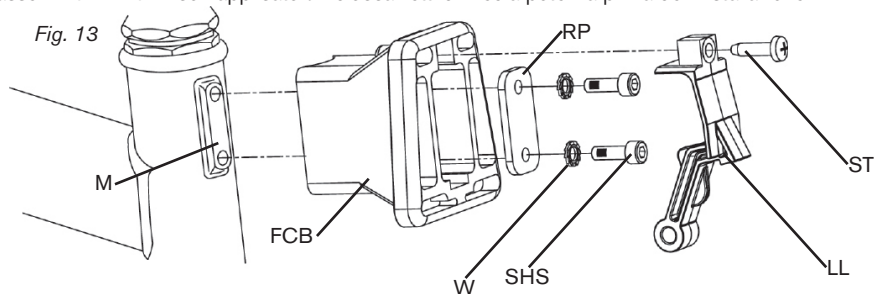
BAGAGLIO

Brompton offre una selezione di accessori per bagaglio da montare sulla Brompton. Gli accessori consentono di trasportare un carico massimo di 10 kg sul lato anteriore e 10 kg sul portapacchi posteriore. Prima dell'uso, leggere con attenzione le istruzioni dello specifico bagaglio. L'utilizzo di un bagaglio non corretto può interferire con la manovrabilità del manubrio e costituire un pericolo.

Nota: tutti i bagagli anteriori Brompton sono adatti all'uso sulle Brompton M, H e P Type; tuttavia, T Bag, C Bag e Folding Basket non sono adatti all'uso sulle Brompton con manubrio S Type.

BLOCCO DEL RIPIANO PORTABAGAGLI ANTERIORE

- Controllare di avere disponibili tutti i componenti mostrati nello schema (fig. 13)
- Se è la prima volta che si esegue l'installazione, rimuovere le due viti di fissaggio nel blocco di montaggio saldato M. Sulle biciclette di vecchia generazione viene utilizzata una vite di nylon nera con intaglio, mentre quelle di nuova generazione montano una vite in acciaio con punta esagonale di 2.5 mm
- È indispensabile utilizzare le rondelle serrate W quando si reinstalla la piastra di ritegno RP e anche utilizzare la coppia corretta sulle viti SHS
- La tacca blu sulla vite serve a bloccarla in posizione; non alterarla, rimuoverla o esporla a umidità per non compromettere l'azione di serraggio
- Dopo l'installazione iniziale le viti non devono essere più toccate, per non compromettere la funzione della tacca blu
- Le viti vanno sostituite con viti Brompton QFCB-BOLTS oppure due viti a testa esagonale M5x16, classe 12.9 DIN 912 con applicato un bloccafiletto di media potenza prima dell'installazione



ISTRUZIONI DI MONTAGGIO

Occorrono una chiave Allen di 4 mm e un cacciavite Posidrive. Montare nel corpo del blocco del ripiano portabagagli FCB la piastra di ritegno RP e una delle viti a testa esagonale M5 SHS insieme alla relativa rondella a stella W. Inserire il gruppo nel tubo anteriore della bicicletta, come mostrato.

- Inserire la prima vite e ruotarla di due o tre giri, senza serrarla del tutto
- Inserire e avvitare la seconda vite con la rondella serrata W
- Infine serrare a fondo entrambe le viti a una coppia di 4.5Nm
- Inserire l'estremità inferiore del fermaglio a leva LL nel foro alla base del blocco del ripiano portabagagli FCB e poi, tenendo fermo il fermaglio a leva, posizionarne il lato superiore all'interno del blocco di trasporto
- Inserire la vite autofilettante ST nel foro del fermaglio a leva e fissarla saldamente nel blocco del ripiano portabagagli
- La vite ST deve essere avvitata a fondo per posizionare correttamente il fermaglio, altrimenti il blocco non sarà efficace con il rischio di far cadere il bagaglio e creare così una situazione di pericolo

PULIZIA E LUBRIFICAZIONE

La lubrificazione dei componenti è importante per il loro funzionamento sicuro ed efficiente. Si consiglia di effettuarla regolarmente, considerando che alcune parti richiedono una lubrificazione più frequente.

La catena deve essere ben lubrificata per garantire una pedalata uniforme. Applicare lubrificante per catene ruotando i pedali all'indietro e accertandosi che circoli sui rulli; lasciar penetrare l'olio continuando a ruotare i pedali all'indietro, quindi rimuovere l'eventuale eccesso.

Durante la lubrificazione della catena, è opportuno tenere presente che occorre lubrificare i rulli della catena e non le piastrine; la presenza di lubrificante sulle piastrine non aiuta ad aumentare l'efficienza della trazione e attrae soltanto lo sporco. Il metodo migliore è applicare con attenzione una goccia di lubrificante su ciascun rullo; questa operazione richiede un po' più di tempo rispetto all'applicazione diretta del lubrificante sulla catena mentre si ruotano i pedali all'indietro, tuttavia assicura che il lubrificante agisca solo dove necessario e non altrove.

Di tanto in tanto occorre ingrassare la filettatura della vite del morsetto della cerniera e la sua rondella. Una sottile patina di grasso sulle superfici interne delle piastrine del morsetto aiuta inoltre ad agevolarne l'allentamento.

I mozzi e i cuscinetti sono sigillati; l'ingrassaggio deve essere effettuato solo durante una riparazione importante affidata a un meccanico esperto.

Durante la lubrificazione della Brompton, evitare di ungere di olio o grasso il reggisella o i cerchioni delle ruote. Qualsiasi grasso per uso universale di buona qualità è soddisfacente. Per la catena, i risultati migliori si ottengono con lubrificanti per catene tipo "secco" con buone proprietà di penetrazione. Considerare l'impatto ambientale di lubrificanti e grassi.

Per pulire la bicicletta, si consiglia di utilizzare un secchio di acqua saponata calda e una spugna. Non utilizzare flessibili o lance a pressione per evitare che l'acqua possa penetrare nei cuscinetti e nelle parti mobili facendone fuoriuscire il lubrificante e causando corrosione.

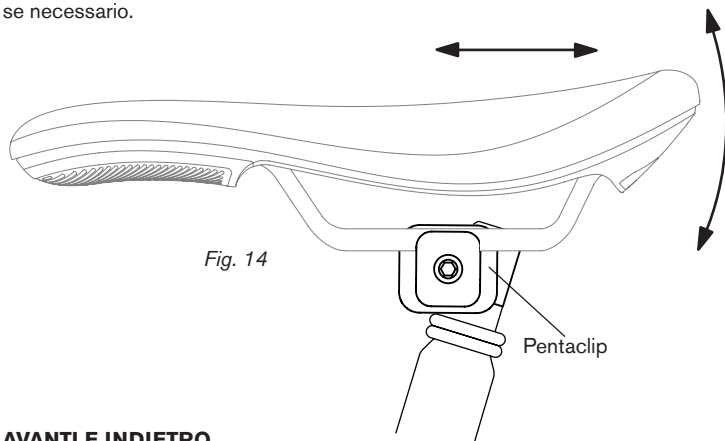
REGOLAZIONE DELLA SELLA

Sia l'angolo di inclinazione sia la posizione orizzontale possono essere regolati. Per individuare la posizione più confortevole, è opportuno iniziare regolando la sella in posizione neutra e poi partire da qui per determinare la posizione ottimale. Allentare anzitutto il bullone Pentaclip della sella con una chiave esagonale da 5 mm finché è possibile spostare la sella applicando una lieve forza. Fare attenzione a non allentare troppo il bullone, poiché ciò renderebbe più difficoltosa la regolazione.

Spostare i binari della sella nel morsetto in modo da centrarli grossolanamente (a metà strada tra le posizioni estreme). Regolare la sella in posizione piana, in modo che la sua superficie superiore sia più o meno orizzontale tra il bordo anteriore e posteriore (fig. 14). Una volta posta la sella in posizione neutra, serrare il bullone Pentaclip a 10Nm. Provare la posizione della sella; è possibile regolarla per renderla più confortevole.

INCLINAZIONE

Se si ha la sensazione che la punta sia inclinata verso l'alto oppure che la parte posteriore della sella non offra sufficiente supporto, è possibile inclinare la sella in avanti. Inclinare all'indietro se, al contrario, si ha la sensazione che occorra maggiore supporto alla punta oppure che il proprio peso poggi sul retro della sella. Una volta regolata la sella, serrare il bullone Pentaclip e utilizzare la bicicletta per qualche tempo, ripetendo la regolazione se necessario.



POSIZIONE AVANTI E INDIETRO

Lo spostamento della sella avanti o indietro rispetto alla posizione mediana neutra non solo influisce sulla distanza rispetto al manubrio, ma anche sulla posizione relativa rispetto ai pedali. Spostando la sella all'indietro si aumenta la distanza dal manubrio e si "estende" leggermente la bicicletta. Spostando la sella in avanti si ha la sensazione di "accorciare" la bicicletta determinando una postura più eretta per il ciclista. Provare la bicicletta e ripetere la regolazione, se necessario, accertandosi di serrare saldamente il bullone Pentaclip a 10Nm.

ALTEZZA EXTRA DELLA SELLA

Se la sella non è abbastanza alta, sono disponibili due opzioni Brompton: un tubo sella telescopico e un tubo sella più lungo di 60 mm. Il tubo sella telescopico può soddisfare le esigenze dei ciclisti più alti, con un piccolo aumento della dimensione ripiegata.

Il manubrio e le leve di comando Brompton sono predisposti in fabbrica per offrire un compromesso tra compattezza e comfort di guida. Nel caso si decida di apportare eventuali modifiche, il manubrio o il piantone ripiegati non aderiranno alla ruota anteriore come nel caso normale e la bici ripiegata avrà dimensioni maggiori.

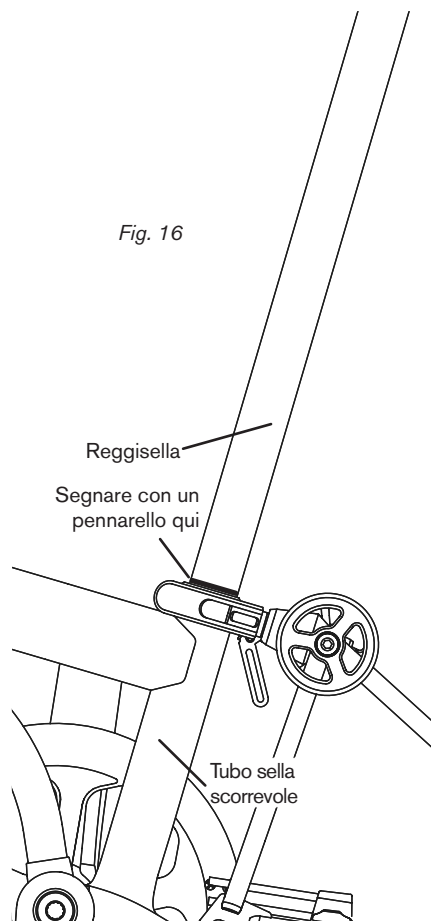
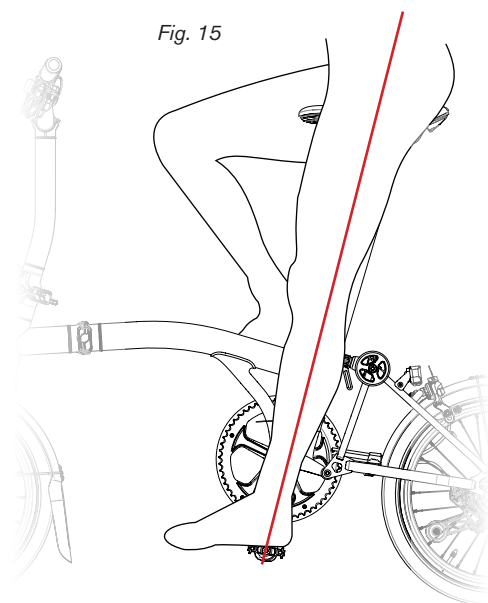
Se il manubrio deve essere spostato per qualsiasi motivo, si consiglia vivamente di affidare queste regolazioni a un rivenditore Brompton autorizzato o a un tecnico certificato. La vite del morsetto deve essere serrata alla coppia di 10Nm.

MONTAGGIO DI UN REGOLATORE DI ALTEZZA SELLA

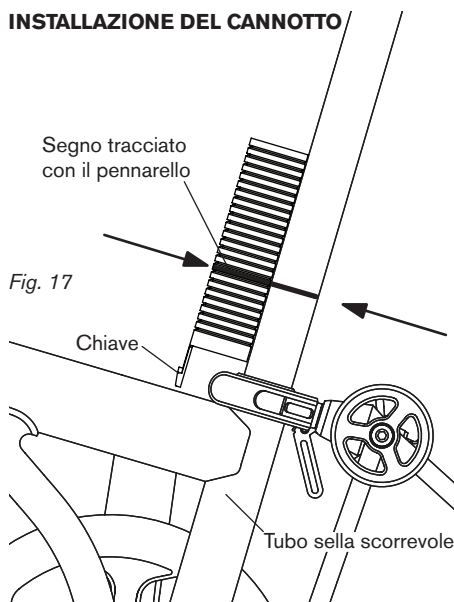
Una volta corretta la posizione della sella, è possibile installare un regolatore di altezza della stessa. Questo può essere installato nei casi in cui l'altezza della sella sia troppo elevata alla massima estensione. Il regolatore di altezza sella consente di sistemare la sella all'altezza corretta ogni volta che la bicicletta viene aperta.

REGOLAZIONE DELL'ALTEZZA DELLA SELLA

- In questa fase, ricordare di utilizzare le abituali scarpe da ciclismo
- Regolare l'altezza della sella in modo che, quando il pedale si trova in basso con il piede interamente poggiato sul pedale, la gamba sia perfettamente tesa (fig. 15)
- Quando si pedala con la punta del piede, alla massima estensione la gamba sarà leggermente flessa
- Una volta individuata l'altezza desiderata per la sella, contrassegnarla con un pennarello o con del nastro sulla parte superiore del reggisella scorrevole (fig. 16)
- Si raggiunge l'altezza minima del reggisella quando quest'ultimo fuoriesce dal tubo, sotto la base del telaio. Non utilizzare la bicicletta se il reggisella sporge dalla base del tubo sella
- In caso di dubbi sul procedimento da seguire, il rivenditore Brompton sarà in grado di fornire assistenza



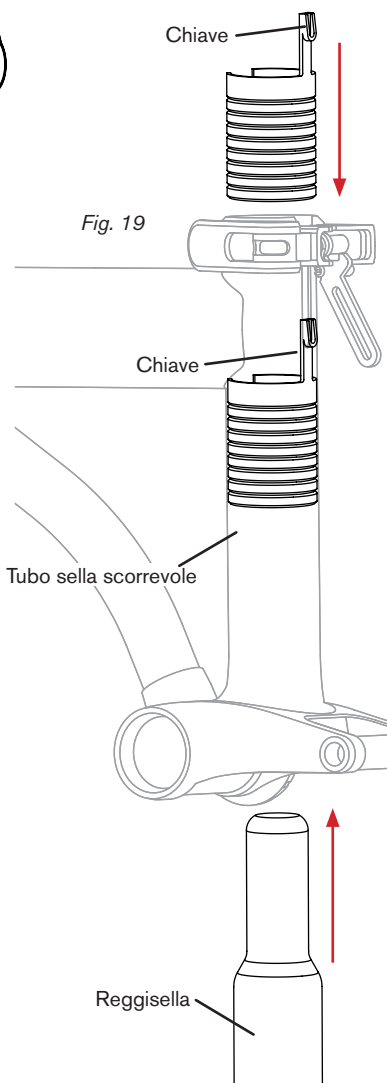
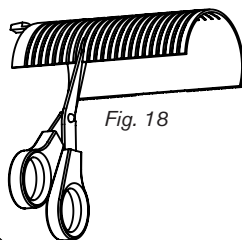
INSTALLAZIONE DEL CANNOTTO



- Con un pennarello o del nastro, marcare il Pentaclip per indicare l'inclinazione e la posizione della sella
- Allentare il bullone Pentaclip con una chiave esagonale da 5mm, quindi rimuovere la sella e gli O-ring dalla parte superiore del tubo sella
- Rimuovere il reggisella estraendolo da sotto il telaio
- Comprimere il canotto e inserirlo nella parte superiore del tubo sella, allineando la chiave con la scanalatura (fig. 19)
- Innestare la chiave nella base della scanalatura (fig. 19)
- Rimontare il reggisella nel lato inferiore del telaio (fig. 19), accertando che sia pulito
- Reinstallare gli O-ring e la sella, allineare i segni di riferimento sul Pentaclip e serrare (15Nm)
- Verificare che l'altezza della sella sia corretta alla massima estensione; è possibile apportare lievi regolazioni spostando leggermente la posizione del Pentaclip verso l'alto o verso il basso sul tubo (fig. 14). Per ulteriori informazioni, vedere <https://www.brompton.com>

MISURAZIONE E TAGLIO DEL CANNOTTO

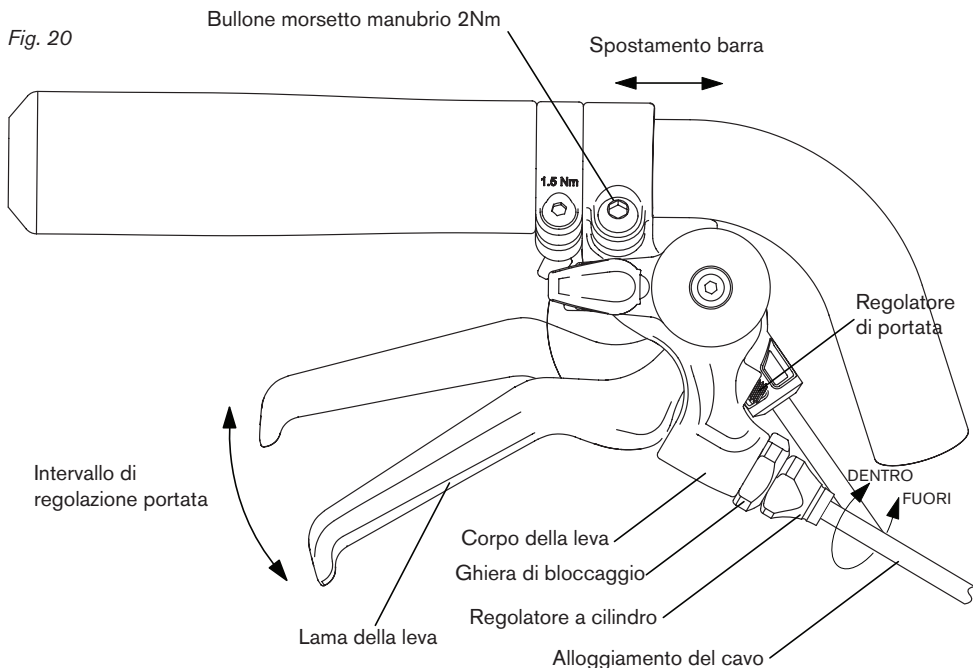
- Sollevare il reggisella alla massima altezza
- Collocare il canotto capovolto rispetto al reggisella sulla parte superiore del tubo sella scorrevole, come mostrato (fig. 17) e segnare la scanalatura sul canotto quanto più vicino possibile al segno sul reggisella
- Con un paio di forbici, tagliare con attenzione il canotto lungo la scanalatura (fig. 18)



REGOLAZIONE DELLA LEVA DEL FRENO

Al fine di ottenere una posizione della leva dei freni confortevole e sicura, è importante dedicare un po' di tempo alla regolazione. Tenendo in considerazione la dimensione della mano del ciclista, è possibile regolare la distanza della leva dalla barra; la leva può essere impostata in modo da essere azionata con una, due o tre dita.

Le leve di sinistra e destra sono specifiche per le loro rispettive posizioni; la leva è dotata di bullone di serraggio rivolto verso l'alto (fig. 20).



1. ANGOLAZIONE DELLA LEVA

L'intervallo per regolare l'angolazione della leva è limitato dal percorso di uscita del cavo; se la leva ha un'angolazione troppo elevata causerà problemi all'azionamento dei freni e durante la piegatura della bicicletta.

Quando la bicicletta è ripiegata, l'alloggiamento del cavo di destra entrerà in contatto con il gambo della forcella. L'angolazione della leva deve essere regolata in modo che l'alloggiamento del cavo tocchi leggermente il gambo della forcella; un contatto eccessivo piegherebbe e danneggerebbe l'alloggiamento. Per questo motivo, il braccio della leva presenta una curvatura che permette di collocarlo più in alto rispetto al corpo della leva, cioè in una posizione più conveniente poiché non interferisce con l'alloggiamento del cavo.

2. POSIZIONE DELLA LEVA

La posizione della leva sulla barra può essere regolata in modo da avvicinare o allontanare la leva rispetto all'estremità della presa del manubrio. Questa regolazione consente di posizionare la leva in modo che sia possibile azionarla con una, due o tre dita.

Nel primo caso, ovvero quando la leva è azionabile con un solo dito, la presa sulla barra è più sicura, ma la forza della frenata è inferiore. L'azionamento a tre dita consente di applicare la massima forza di frenata, ma riduce la presa sulla barra.

3. REGOLATORE DI PORTATA

La regolazione della portata della leva è controllata dalla vite senza testa sul lato del corpo della leva.

Avvitando il regolatore di portata nel corpo della leva (chiave esagonale da 2.5 mm) la leva si avvicina al manubrio.

Quando la leva è regolata in modo da avvicinarla al manubrio, i pattini dei freni si avvicinano al cerchione della ruota. Può essere necessario regolare il punto di innesto della leva per di fornire sufficiente spazio libero ai pattini; ciò si ottiene avvitando il regolatore a cilindro nel corpo della leva.

Se anche agendo sul regolatore a cilindro non è possibile fornire sufficiente spazio libero ai pattini e ottenere un punto di innesto adeguato per la leva, può essere necessario allentare il bullone del morsetto del cavo (chiave da 10 mm) sul calibro del freno per tirare leggermente il cavo. Prima di utilizzare la bicicletta, accertarsi di serrare nuovamente questo bullone a 8 Nm e verificare che il cavo sia fissato correttamente.

4. REGOLAZIONE DEL PUNTO DI INNESTO

La regolazione del punto di innesto della leva (posizione di innesco) è controllata dal regolatore a cilindro. Avvitando il regolatore a cilindro nel corpo della leva, si porta il punto di innesto della leva più vicino al manubrio. Avvitando il regolatore a cilindro verso l'esterno rispetto al corpo della leva, si allontana dal manubrio il punto di innesto.

Il regolatore a cilindro utilizza una ghiera di bloccaggio per fissarlo in posizione; questo deve essere allentato prima della regolazione e serrato nuovamente una volta posizionato correttamente il regolatore a cilindro.

5. FISSAGGIO DELLA LEVA

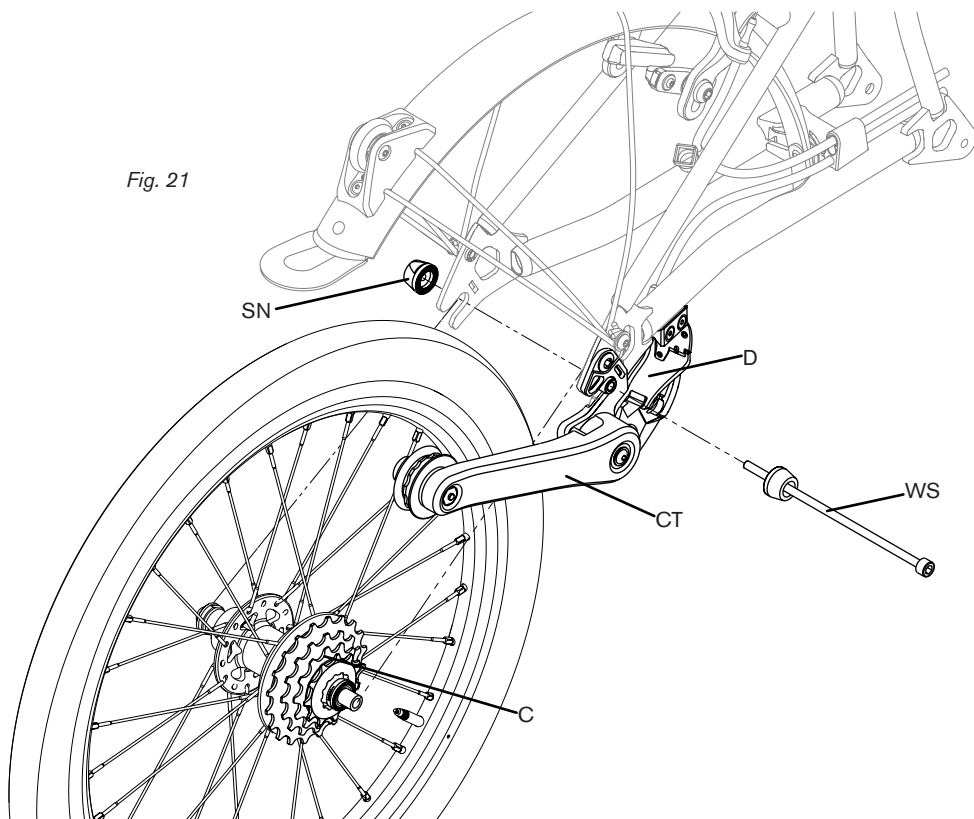
Una volta che la leva è stata posizionata correttamente sulla barra, il bullone del morsetto deve essere serrato alla coppia di 2Nm (chiave esagonale da 4mm).

Il percorso corretto del cavo e la lunghezza dell'alloggiamento del cavo sono essenziali; i cavi devono passare davanti al manubrio, a sinistra del supporto del manubrio e a destra del tubo del telaio principale.

IN CASO DI DUBBI SU QUALSIASI REGOLAZIONE QUI INDICATA, CONSULTARE IL RIVENDITORE BROMPTON. NON UTILIZZARE LA BICICLETTA SE I FRENI NON SONO REGOLATI CORRETTAMENTE

RUOTA POSTERIORE – RIMOZIONE E MONTAGGIO

- Quando si installa o rimuove la ruota posteriore, cambiare marcia passando alla ruota dentata piccola sulla cassetta
- Prima di togliere la ruota, liberare il tendicatena dalla catena
- Quando è installato, verificare che la ruota sia alloggiata correttamente nel forcellino, altrimenti le marce potrebbero non funzionare correttamente
- È essenziale seguire la giusta procedura di montaggio e serrare perfettamente tutti i fissaggi



RIMOZIONE

Per rimuovere la ruota posteriore, collocare la bicicletta su un supporto. Prima di procedere è necessario allentare la catena, disinserendo il tendicatena CT. Quando la catena è allentata, può essere rimossa da C in modo da non ostacolare la rimozione della ruota. Per allentare il dado lungo WS utilizzare una chiave esagonale da 5mm. Una volta allentata, tenerla ferma in posizione per evitare che il dado lungo SN si sviti sul lato opposto. Quindi rimuovere del tutto il WS. La ruota potrà superare il calibro del freno solo se il pneumatico è sgonfio. Ora la ruota può essere rimossa esercitando una lieve pressione.

MONTAGGIO

Per montare la ruota posteriore, collocare la bicicletta su un supporto. Assicurarsi che il senso di marcia sia corretto controllando, sulla parete del pneumatico, la freccia che indica la marcia avanti. Mettere in posizione la ruota, accertando che, in un secondo momento, sarà possibile alloggiare la catena correttamente nella cassetta C. Una volta che la ruota è in posizione, inserire il dado lungo WS come illustrato (fig. 21). Serrare il bullone lungo a 7Nm. Ora il tendicatena CT può essere fermato dalla catena.

SOSTITUZIONI ORDINARIE

Si consiglia di pianificare le sostituzioni ordinarie per garantire la sicurezza e buone prestazioni. Gli intervalli suggeriti tra le sostituzioni riguardano le biciclette soggette a uso normale; i tempi più appropriati dipendono dalle condizioni d'uso e dallo stile di pedalata. Si consiglia l'utilizzo di parti di ricambio originali Brompton per i componenti cruciali per la sicurezza.

COMPONENTI IN ALLUMINIO Come nel caso di altre macchine leggere, per la realizzazione di alcuni componenti della Brompton viene utilizzata una lega di alluminio, ossia un materiale caratterizzato da un ciclo di vita preciso prima di arrivare a rottura. Nell'uso normale, il rischio di rottura per fatica dell'alluminio è remoto, anche dopo migliaia di chilometri. Il rischio, tuttavia, aumenta con l'uso, soprattutto con una guida aggressiva o con carichi pesanti. Poiché tale tipo di rottura può comportare lesioni personali, le piastrine di serraggio del telaio, il manubrio, la corona della guarnitura, il tubo della sella e i pedali devono essere sostituiti ogni 8,000 km (con più frequenza se sono soggetti a uso intenso); si consiglia inoltre di controllare tali elementi con regolarità.

TRASMISSIONE Tutte le Brompton sono dotate di un tendicateni a molla automatico per mantenere la tensione corretta della catena. Nel tempo, la catena e i pignoni si usurano causando il fenomeno noto comunemente come allungamento della catena; ciò determina una trasmissione di potenza inefficiente e irregolare. Si consiglia di sostituire la catena e i pignoni ogni 3,200 – 4,800 km, ma è bene ricordare che la regolare pulizia e lubrificazione della catena ne prolungano la durata. Non utilizzare mai una catena nuova su pignoni usurati o viceversa. Per misurare l'allungamento della catena, è opportuno utilizzare l'apposito strumento.

FRENI I cavi non hanno una durata indefinita; per ridurre il rischio di rottura, sostituirli a intervalli di 6,400 km. Le guaine nuove devono avere esattamente la stessa lunghezza di quelle originali; per ottenere risultati ottimali, utilizzare cavi specifici Brompton originali e farli installare da un rivenditore Brompton autorizzato o da un tecnico certificato. I cavi di lunghezza non corretta possono compromettere la sicurezza e le prestazioni della bicicletta.

CAVI DEL CAMBIO Devono essere sostituiti in base al medesimo intervallo previsto per i cavi dei freni. Poiché i cavi sono progettati specificamente per le Brompton, si consiglia di utilizzare cavi Brompton originali. Farli installare da un rivenditore Brompton autorizzato o da un tecnico certificato. I cavi di lunghezza non corretta possono compromettere la sicurezza e le prestazioni della bicicletta.

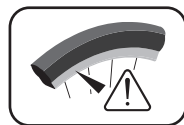
BLOCCHI DEI FRENI I blocchi dei freni nuovi presentano delle scanalature sulla superficie di frenata; una volta che la profondità delle scanalature si riduce a meno di 1 mm o le scanalature non sono più visibili, occorre sostituire i pattini. I pattini sono cruciali per il funzionamento sicuro dei freni, per cui si consiglia di farli installare da un tecnico qualificato, utilizzando componenti di ricambio Brompton originali.

PNEUMATICI Il rischio di foratura aumenta con la percorrenza e quando il battistrada del pneumatico inizia a usurarsi. Se si nota l'assottigliamento del battistrada, sostituire il pneumatico. In questo modo si riduce la possibilità di forature e si aumenta l'efficienza della pedalata.

ILLUMINAZIONE A DINAMO I cavi elettrici dell'illuminazione a dinamo tendono a usurarsi con la chiusura e apertura della Brompton. Quando i cavi sono usurati, sostituirli immediatamente onde evitare danni al mozzo della dinamo. Se le luci sono difettose, farle ispezionare da un tecnico qualificato per garantire visibilità e sicurezza durante la guida su strada.

BLOCCO DELLA SOSPENSIONE E CUSCINETTO Controllare annualmente il cuscinetto e il blocco della sospensione per verificare la presenza di eventuale usura. Se si notano crepe nel blocco della sospensione, farlo sostituire immediatamente.

CERCHIONI Le superfici frenanti dei cerchioni si usurano con l'utilizzo. Sulla superficie frenante, accanto alla valvola, è presente una piccola tacca che indica il livello di usura. Il cerchione deve essere sostituito quando si consuma al punto tale che la tacca non è più visibile. Cercare questo simbolo sui cerchioni.



MANUTENZIONE A "100 MIGLIA" (160 KM) Su qualsiasi bicicletta, determinati elementi richiedono tempo per assestarsi; onde evitare danni, tali parti richiedono attenzione subito dopo l'acquisto della bicicletta. Consigliamo di far controllare la Brompton a un meccanico qualificato dopo i primi 160 chilometri oppure dopo 1 mese (in base alla scadenza che sopraggiunge prima). Sarà opportuno prestare particolare attenzione agli elementi seguenti:

RAGGI Controllare la tensione dei raggi ed effettuare le regolazioni idonee. Se un raggio si allenta per qualsiasi motivo, i raggi adiacenti saranno soggetti a un carico supplementare e potrebbero cedere.

BULLONI DELL'ASSE DELLA PEDIVELLA E PEDALI Verificare il serraggio corretto. La coppia corretta è pari a 30Nm; la filettatura del pedale LH è sinistra.

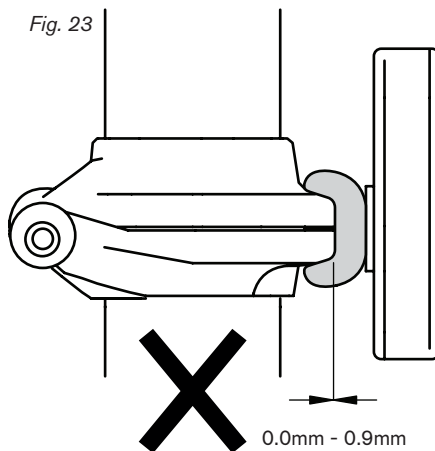
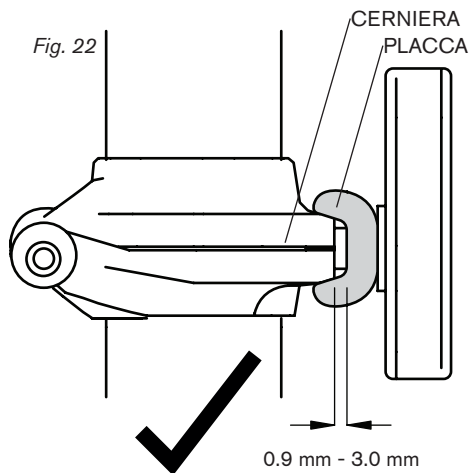
CAVI Sebbene i cavi di freni e cambio siano pre-tensionati, presentano sempre una certa tensione iniziale. Poiché ciò influisce sul controllo del rapporto al mozzo, il cambio deve essere controllato per verificarne la corretta regolazione. È opportuno regolare i freni allo stesso tempo.

CANNOTTO DEL REGGISSELLA Il reggisella scorre in alto e in basso all'interno di un canotto in plastica; questo componente è usurabile e va sostituito periodicamente. Se mentre si va in bici il reggisella scivola oppure diventa necessario stringere il dado di serraggio, è possibile che il canotto sia usurato e debba essere sostituito. Se non viene sostituito, un canotto usurato può danneggiare il telaio. La sostituzione del canotto va eseguita con attrezzi speciali e deve essere preferibilmente affidata a un rivenditore Brompton autorizzato.

CERNIERA POSTERIORE Nel tempo le boccole nel perno del carro posteriore possono usurarsi, evidenziando un leggero gioco. Per eliminare il gioco, sostituire le boccole. Questo intervento deve essere affidato a un rivenditore Brompton specializzato: per svolgerlo occorrono attrezzi particolari.

PIASTRINA DI SERRAGGIO DELLA CERNIERA Una piastrina usurata o danneggiata può compromettere il serraggio efficace della cerniera. La piastrina va, pertanto, ispezionata regolarmente e sostituita quando necessario. Quando la leva è serrata, la distanza tra gli elementi della cerniera e la piastrina di serraggio della cerniera (fig. 22) deve essere compresa tra 0.90mm e 3.00mm, sia sulla cerniera del manubrio sia sulla cerniera del telaio principale. Questi componenti devono essere ispezionati regolarmente e sostituiti quando necessario.

Se lo spazio tra la cerniera e la piastrina di serraggio della cerniera è minore di 0.90mm (fig. 23), sostituire la piastrina. Se non c'è distanza tra la piastrina di serraggio della cerniera e la cerniera stessa, non utilizzare la bicicletta se non dopo aver sostituito la piastrina.



GARANZIA

Se una bicicletta registrata presenta un difetto di fabbricazione, la parte difettosa sarà sostituita gratuitamente a condizione che il problema sia segnalato entro 7 anni (2 anni nel caso del telaio, se la bicicletta non è registrata) oppure entro 2 anni (nel caso di altre parti) a decorrere dalla data del primo acquisto della bici. La Brompton è destinata all'uso su strade e percorsi non accidentati. Non è progettata per le corse in aperta campagna che possono sottoporre il telaio a sollecitazione eccessiva; in più, pneumatici e ruote non sono adatti a tale uso.

MY BROMPTON Questa sezione del sito web Brompton consente ai proprietari di registrare i dati della/delle loro bici, in modo che possano essere contattati in caso di necessità. La garanzia di 7 anni sui componenti del telaio principale è attivabile soltanto dopo che è stata registrata la bicicletta. Le informazioni saranno conservate nel database Brompton e non saranno trasmesse a terzi (<https://www.brompton.com>)

NUMERO DI SERIE E NUMERO DEL TELAIO Sull'etichetta posta sul retro del tubo sella sul telaio principale è riportato il numero di serie a 10 cifre. Il numero del telaio a 6 cifre è stampigliato sul telaio principale davanti al perno della sospensione posteriore. Consigliamo di registrare entrambi i numeri nelle pagine vuote a tergo di questo manuale.

GARANZIA BROMPTON: TERMINI E CONDIZIONI

Grazie per avere scelto una bicicletta Brompton. Eccellente tecnologia, test completi e una costante ricerca nei campi dell'affidabilità, sicurezza e performance sono i principi applicati da Brompton per realizzare le sue biciclette.

Sottoporre la bicicletta agli interventi di assistenza e manutenzione riportati nel manuale del proprietario per godere appieno della protezione prevista dai presenti termini e condizioni di garanzia. Registrare tutti gli interventi di manutenzione eseguiti dal rivenditore Brompton autorizzato e metterli a sua disposizione se lo richiede in occasione di un nuovo intervento di riparazione o in garanzia.

Tutte le nuove biciclette Brompton registrate nella sezione My Brompton del nostro sito web sono coperte da una garanzia illimitata di 7 anni, indipendente dal chilometraggio, che protegge i componenti del telaio principale. La garanzia decorre dal momento della vendita. Altri componenti non usurabili della bicicletta (pedivelle, pinze dei freni, parafanghi ecc.) sono protetti da una garanzia di due anni. Conservare la fattura d'acquisto in un luogo sicuro per utilizzarla eventualmente in futuro. Tutte le biciclette Brompton non registrate nella sezione My Brompton del nostro sito web sono coperte da una garanzia di 2 anni, indipendente dal chilometraggio, che protegge i componenti del telaio principale. La garanzia decorre dal momento della vendita.

Entro questi periodi di garanzia, Brompton Bicycle Ltd garantisce che la nuova bicicletta Brompton è priva di difetti nei materiali utilizzati per la produzione e/o di difetti di fabbricazione.

- Eventuali componenti difettosi identificati durante il periodo di validità della garanzia saranno riparati o sostituiti da un distributore o rivenditore Brompton autorizzato oppure presso la fabbrica, a discrezione di Brompton Bicycle Ltd
- Per qualsiasi componente così sostituito, la garanzia resterà in vigore per il periodo restante previsto
- Eventuali componenti sostituiti in garanzia devono essere resi a Brompton Bicycle Ltd dal rivenditore e/o distributore e diventeranno di proprietà di Brompton Bicycle Ltd
- Brompton può, a sua sola discrezione, effettuare riparazioni o sostituzioni dei componenti difettosi al di fuori del periodo di garanzia, ma tali interventi non costituiscono un'ammissione di responsabilità
- Brompton addebiterà le spese di manodopera per gli interventi eseguiti al di fuori del periodo di garanzia
- La garanzia può essere trasferita ai proprietari successivi per il periodo rimanente.

continua alla pagina successiva

1. Consigliamo di far controllare la Brompton a un meccanico qualificato dopo i primi 160 chilometri oppure dopo 1 mese (in base alla scadenza che sopraggiunge prima) poiché alcuni componenti richiedono un periodo di rodaggio e può essere necessario regolarli per di evitare danni.
2. Sostituzioni ordinarie: questa sezione del Manuale del proprietario identifica i componenti che vanno sostituiti durante gli interventi di assistenza e manutenzione di routine della bicicletta. Attenersi a tali istruzioni, soprattutto considerando i chilometri percorsi in quanto essi incidono sul funzionamento di molti componenti (ad es. cavi dei freni, catena, pignoni ecc.). Anche il chilometraggio e l'uso incidono sulla durata di vita prevista dei componenti in alluminio, che vanno sostituiti ogni 8,000 chilometri circa (o prima, se la bicicletta viene utilizzata in modo particolarmente intenso e/o aggressivo) e, pertanto, non rientrano nei termini di garanzia di cui sopra.
3. La precedente garanzia è valida esclusivamente nel Paese in cui è stata acquistata la bicicletta.
4. Per le biciclette esportate da un Paese all'altro la copertura nel periodo di vigore della garanzia prevede la fornitura gratuita di componenti dalla fabbrica, dove necessario. Il distributore e/o rivenditore Brompton del Paese importatore in ogni caso possono richiedere il pagamento delle spese di manodopera per le riparazioni svolte in garanzia e per i dazi sull'importazione dei componenti forniti gratuitamente (vedi sopra).
5. La bicicletta non deve essere stata utilizzata per competizioni non autorizzate, non deve essere stata soggetta a uso erroneo*, interventi di manutenzione e/o assistenza scorretti e/o inadeguati.
6. La bicicletta non deve avere subito modifiche, riparazioni e/o sostituzioni diverse da quelle autorizzate da Brompton Bicycle Ltd.
7. Gli interventi di assistenza devono essere affidati a un rivenditore Brompton autorizzato.
8. La presente garanzia non copre i difetti causati da regolazioni, riparazioni e/o alterazioni errate eseguite da un rivenditore non autorizzato da Brompton.
9. I difetti causati dall'utilizzo di componenti e accessori non autorizzati da Brompton Bicycle Ltd non sono coperti da questa garanzia.
10. La garanzia non copre il costo di rimozioni e sostituzioni di componenti e accessori, a meno che non siano forniti come parte dell'apparecchiatura originale oppure consigliati da Brompton Bicycle Ltd.
11. I componenti soggetti a normale usura, ad esempio pneumatici, lampadine, pignoni, pattini dei freni ecc. esulano dai termini della presente garanzia a meno che non presentino un difetto di fabbricazione.
12. Altri articoli esclusi dalla garanzia sono sella, bagagliaio, vernice, cromature, componenti in alluminio lucido oppure decalcomanie il cui deterioramento è stato causato da normale usura oppure da interventi di manutenzione non eseguiti o eseguiti scorrettamente.
13. Un'eventuale batteria fornita con la bicicletta è esclusa dalla garanzia, ad eccezione di eventuali perdite presenti già alla consegna.
14. La garanzia non copre le biciclette usate per svolgere attività commerciali, ad esempio da corrieri, vettori ecc.
15. La garanzia non copre i difetti che non sono stati segnalati a un rivenditore autorizzato entro dieci (10) giorni dal momento in cui sono stati rilevati.
16. La bicicletta richiede interventi di assistenza più frequenti se utilizzata in climi o condizioni ostili, ad esempio un ambiente salmastro o strade cosparse di sale, neve (il cui livello superiori per metà l'altezza dell'asse) e/o terreni molto polverosi/sabbiosi. Questi ambienti possono potenzialmente causare il guasto precoce delle finiture su telaio e componenti, e questo tipo di deterioramento non è coperto dai presenti termini di garanzia. Brompton Bicycle Ltd sceglie con grande cura i suoi materiali e le tecniche di verniciatura, per offrire ai clienti estetica e durabilità. Qualora la bicicletta venga utilizzata spesso in condizioni ambientali ostili come quelle indicate sopra, per conservarla in stato ottimale è essenziale lavarla, asciugarla e lubrificarla come necessario. Il rivenditore fornirà ulteriori informazioni e consigli se necessario. L'aspetto della bicicletta, infine, dipende dalla cura con cui viene trattata.
17. In caso di reclamo in garanzia, Brompton Bicycle Ltd e i suoi distributori e/o rivenditori non saranno responsabili dei costi di trasporto al/dal rivenditore Brompton autorizzato né per le spese sostenute quando la bicicletta non è su strada, inclusi i costi associati a lucro cessante, tempo perso, perdite commerciali o altri danni accidentali o consequenziali.

La garanzia deve essere interpretata in conformità al diritto inglese e ogni eventuale controversia sorta nel merito della stessa sarà soggetta alla giurisdizione dei tribunali inglesi.

Ogni dichiarazione, condizione, affermazione, descrizione o garanzia altrimenti contenuta in cataloghi, pubblicità o altre pubblicazioni non potrà ampliare, variare o prevalere sui presenti termini.

Brompton Bicycle Ltd si riserva il diritto di apportare modifiche o miglioramenti senza preavviso a qualsiasi modello o macchinario e senza obbligo a eseguire tali modifiche sulle biciclette già vendute. La presente garanzia non ha effetto sui diritti legali del cliente.

* Sono usi erronei gli utilizzi difforni dai consigli riportati nel manuale del proprietario e qualsiasi utilizzo contrario agli avvisi ivi riportati. In più gli usi erronei includono, a titolo esemplificativo e non esaustivo, qualsiasi utilizzo della bicicletta diverso da quello normale su strada. La Brompton, infatti, è realizzata per essere utilizzata su strade e percorsi non accidentati. Non è progettata per le corse in aperta campagna: ciò può sottoporre il telaio a sollecitazione eccessiva; pneumatici e ruote, inoltre, non sono adatti.



BROMPTON BICYCLE LTD
Unit 1 Greenford Park
Ockham Drive
Greenford
Middlesex
UB6 0FD
© Brompton Bicycle Ltd 2020

OM9-2

ISO 4210-2
BICICLETTE DA CITTÀ E DA TREKKING

CPSC 16 CFR 1512



BROMPTON



P Line

Manual del propietario

OM9-2

ISO 4210-2
BICICLETAS PARA CIUDAD Y TREKKING

CPSC 16 CFR 1512

CONTENIDO

INTRODUCCIÓN	100
SEGURIDAD	101
DESPLEGADO	102
PLEGADO	106
SISTEMA DE BLOQUEO	109
USAR LA BROMPTON P LINE	110
VELOCIDADES	111
FRENOS	115
LUCES	115
PINZA DEL CUADRO TRASERO	115
EQUIPAJE	116
LIMPIEZA Y ENGRASADO	117
AJUSTAR LA POSICIÓN DEL SILLÍN	118
ACOPLAMIENTO DEL INSERTO DE ALTURA DEL SILLÍN	119
AJUSTE DE LA PALANCA DE FRENO	121
RUEDA TRASERA: RETIRADA Y ACOPLAMIENTO	123
REPUESTOS SISTEMÁTICOS	124
GARANTÍA	126



INTRODUCCIÓN

Antes de usar su Brompton, lea este manual prestando especial atención a las secciones sobre seguridad y plegado. Aunque este manual está concebido como guía, no se trata de una guía exhaustiva sobre el uso o el mantenimiento de la bicicleta.



Para activar la garantía ampliada de 7 años, debe registrar la bicicleta en My Brompton de nuestro sitio web para anotar los datos de la bicicleta; de este modo, si se la robaran o tuviéramos que ponernos en contacto con usted, tendríamos el modo de hacerlo. Se le pedirá que introduzca los números de serie y de bastidor: el número de serie se encuentra en una etiqueta situada en la parte posterior del cuadro principal; el número de bastidor está impreso en el cuadro principal, cerca del soporte inferior. La información se conserva en la base de datos de Brompton y no se transfiere a terceros <https://www.brompton.com>.

Si va a realizar por su cuenta ajustes o tareas de mantenimiento, primero debe leer las secciones correspondientes de este manual, pues en caso de no realizar bien las tareas podría perjudicar el proceso de plegado o dañar la bicicleta. Este manual contiene algunas sugerencias y consejos para usar su Brompton, pero, si no está seguro de cómo conservar su bicicleta en buen estado, visite un distribuidor Brompton para que le asesore como experto. Para ver una lista de distribuidores, visite nuestro sitio web: <https://www.brompton.com/Find-a-Store>

Le recomendamos que periódicamente lleve su bicicleta a un distribuidor Brompton para que la inspeccione y realice tareas de mantenimiento.

Este manual cumple la norma ISO 4210-2

TRANSPORTE Y CÓMO MOVER LA BICICLETA PLEGADA

- Los propietarios son los responsables de evaluar el modo de usar la bicicleta en todo momento, así como de asegurarse de que cuidan debidamente su seguridad y bienestar a la hora de montar en bici, de moverla o de transportarla.
- Brompton no acepta ninguna responsabilidad en caso de lesiones que aparezcan al levantar y manipular la bicicleta plegada
- Las bicicletas Brompton pesan entre 9 y 14 kg, en función del equipo que lleven acoplado
- El equipaje acoplado en el bloque de transporte delantero también puede pesar hasta 10 kg
- Los propietarios también deberán tener en cuenta el peso de la bicicleta y del equipaje que pretendan levantar o transportar, y considerarlo con respecto a su capacidad física; también deberán considerar las circunstancias (por ejemplo, la ruta, el estado del terreno, etc.) antes de transportar la bicicleta y el equipaje
- Los propietarios siempre deberán retirar el equipaje de la bicicleta plegada para no tratar de levantar el peso combinado de la bicicleta y el equipaje
- Cuando no pueda montar en la bicicleta Brompton (por ejemplo, en el interior de una estación de tren), primero deberá llevarla a pie lo más lejos posible y, posteriormente, plegarla y disponerla sobre las ruedecillas traseras antes de transportarla distancias cortas
- Se recomienda transportar la bicicleta plegada con una mano; lo más cómodo es hacerlo con el brazo recto y la bicicleta a su lado. La bicicleta deberá sujetarse por el sillín o bien por el cuadro principal por debajo del sillín (lo que le resulte más cómodo)
- Si tiene que transportar la bicicleta una determinada distancia, puede ser aconsejable cambiar de mano a intervalos frecuentes, en función de sus capacidades.
- Solo se recomienda llevar la bicicleta plegada con las dos manos en distancias muy cortas, pues esto solo puede hacerse sujetando la bicicleta en el nivel del pecho o estómago con el fin de evitar golpearse las piernas o rodillas contra ella; esto requiere plegar ambos brazos teniéndolos doblados aproximadamente 90 grados, lo que supondrá una tensión adicional para los brazos

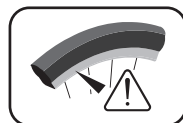
Las pequeñas ruedecillas que llevan las Brompton de fábrica resultan útiles para empujar la bicicleta plegada en espacios angostos. Usando como asa el manillar elevado, la bicicleta plegada también se puede llevar sobre estas ruedecillas, aunque solo en pequeñas distancias y en superficies lisas. Recuerde elevar la tija de sillín ligeramente desde la posición inferior para que no interfiera con el movimiento de la bicicleta, pero no tanto como para que se despliegue la bicicleta. La bicicleta plegada no se ha diseñado para su uso como taburete; no se siente en la bicicleta cuando esté plegada.

SEGURIDAD

La bicicleta Brompton está diseñada para su uso en carreteras y caminos lisos, transportando una carga máxima que no supere los 110 kg (incluidos el conductor y el equipaje). La Brompton no está pensada para hacer acrobacias, recorridos campo a través o deportes extremos. La Brompton debe usarse para lo que se ha diseñado. Un mal uso puede provocar la avería de algunos componentes y anular la garantía de Brompton. No recomendamos colocar un asiento infantil o un remolque en la Brompton; si se hace, se anulará la garantía de la Brompton.

Antes de montarse la primera vez en la Brompton, y periódicamente con posterioridad, preste atención a lo siguiente:

- Recomendamos el uso de un casco aprobado para ciclismo, incluso en aquellos países en los que su uso no sea obligatorio
- Lea y observe los requisitos legales nacionales del país donde use la bicicleta y cumpla todas las normas de tráfico pertinentes
- Asegúrese de que las llantas de las ruedas están limpias y en perfecto estado por la superficie de frenado y compruebe que no exista un desgaste excesivo. Si tiene dudas sobre la seguridad de las llantas, pida a un distribuidor Brompton que las inspeccione
- Verifique los frenos, las ruedas y la dirección periódicamente
- Mantenga los frenos y piñones bien ajustados y los cables en buen estado
- En caso de lluvia, los frenos pueden perder eficacia y las carreteras estarán más deslizantes, por lo que deberá frenar antes
- Verifique que todos las tuercas de las ruedas están bien apretadas (consulte la tabla de pares de torsión en la página 109)
- En España, el freno izquierdo es para la rueda delantera y el derecho para la trasera, pero esto puede variar en otros países
- Cuando monte en bicicleta de noche, lleve ropa reflectante y utilice las luces (delantera y trasera); asegúrese de que las luces cumplen la legislación local



Antes o después de usar la bicicleta, preste siempre atención a lo siguiente:

- Asegúrese de que la abrazadera de liberación rápida de la tija de sillín está bien apretada y el sillín tiene la altura correcta
- Las abrazaderas de la bisagra están en su sitio, con las palancas bien apretadas
- Durante el plegado y desplegado, así como durante el uso y mantenimiento, evite colocar las manos o los dedos donde se los pueda pillar
- Compruebe que la bicicleta está correctamente plegada o desplegada para evitar posibles lesiones

ADVERTENCIA

Numerosos componentes de la bicicleta se encuentran sometidos a gran tensión, y, al llegar a un cierto uso, con cargas pesadas o usando la bicicleta en terrenos escarpados, acabarán llegando al final de su vida útil; en particular, la aleación de aluminio tiene una duración limitada. Una avería durante el uso de la bicicleta podría provocar lesiones. Deberá comprobar todas las piezas que soportan carga para ver si hay signos de deterioro o corrosión o si aparecen grietas, y sustituirlas en caso necesario. Visite un distribuidor Brompton autorizado para solicitar consejo experto si tiene dudas.

La bicicleta no debe someterse a ninguna modificación, reparación o sustitución salvo las autorizadas por Brompton Bicycle Ltd. Las tareas de mantenimiento de la bicicleta deberán encomendarse a un distribuidor Brompton.

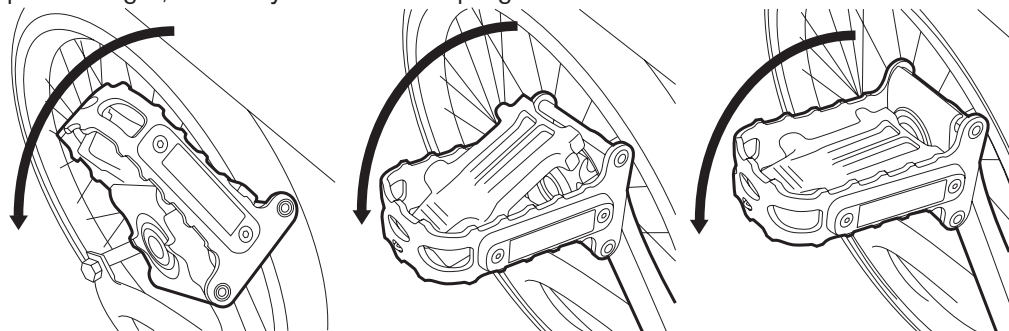
Si la bicicleta ha sufrido algún golpe o impacto, deberá interrumpir inmediatamente su uso y solicitar a un distribuidor Brompton que la revise. Los componentes dañados deberán sustituirse antes de volver a montar en la bicicleta. Los arañazos o ranuras profundas en las piezas de aluminio podrían debilitar seriamente los componentes y provocar una avería prematura de la pieza.

Nota: Recomendamos que se usen piezas de repuesto genuinas de Brompton para los componentes esenciales para la seguridad.

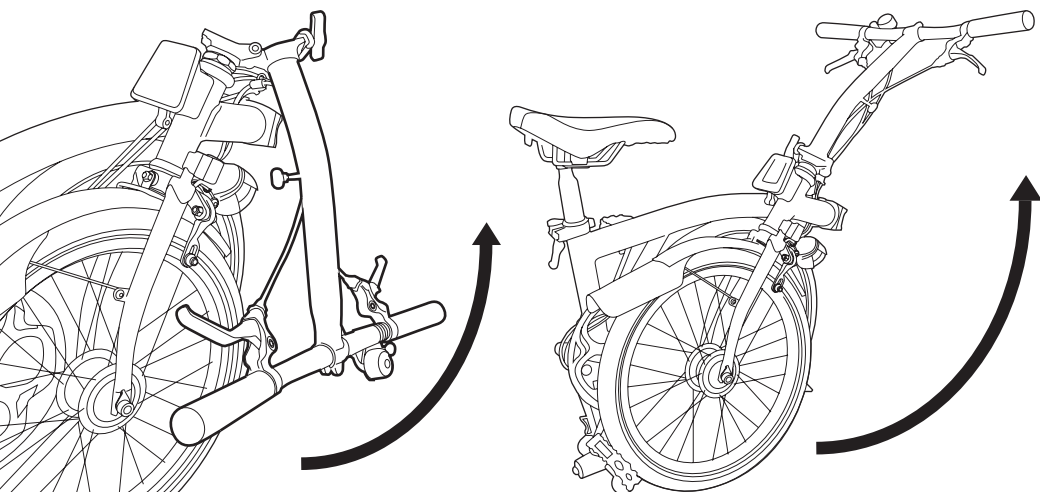
DESPLEGADO DE LA BICICLETA

Dedique un tiempo a mirar la bicicleta plegada; le ayudará cuando llegue la hora de volver a plegarla.

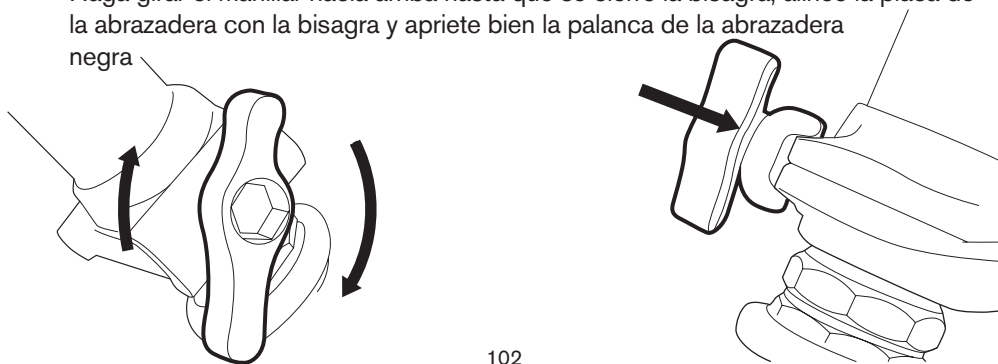
Dispóngase en pie a la izquierda de la bicicleta. Despliegue el pedal izquierdo tirando hacia usted de la caja metálica dentada. Mientras lo hace, observe cómo se activa el pestillo negro; esto le ayudará en el despliegue.



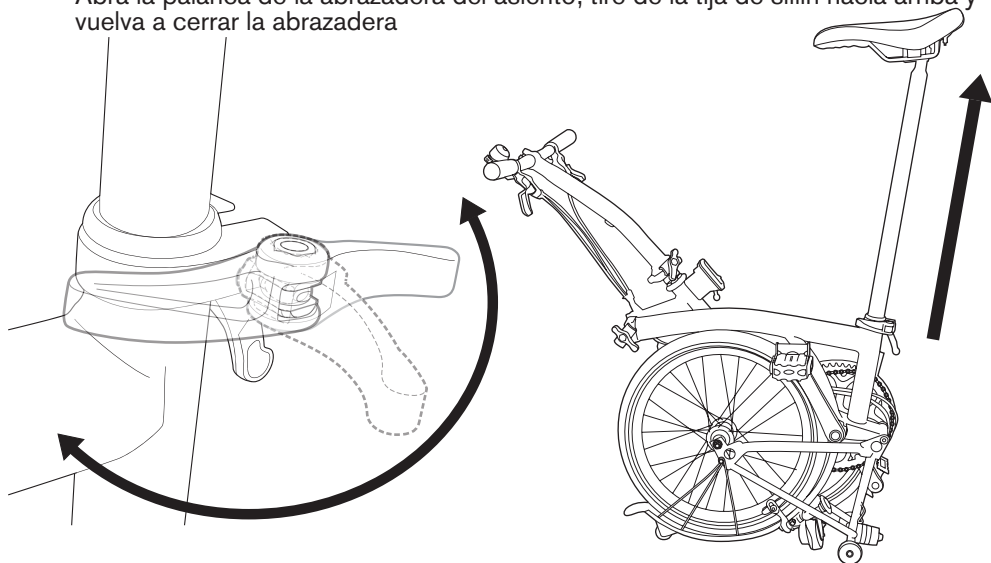
- Para liberar el manillar, empuje con firmeza hacia abajo en el extremo de la empuñadura que tenga más próxima con la palma de la mano izquierda



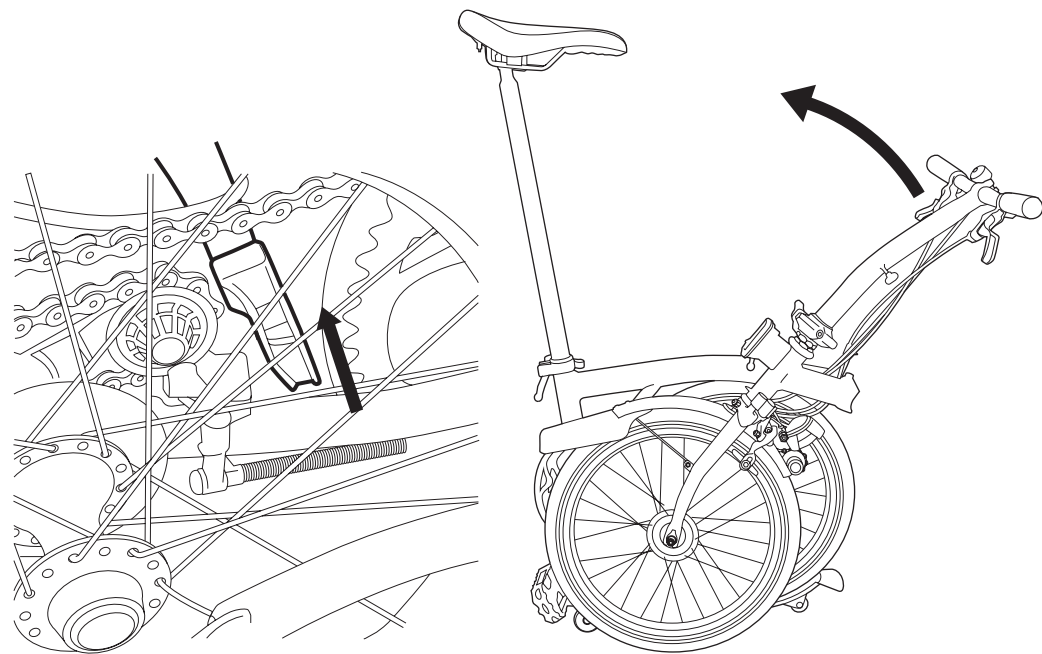
- Haga girar el manillar hacia arriba hasta que se cierre la bisagra, alinee la placa de la abrazadera con la bisagra y apriete bien la palanca de la abrazadera negra



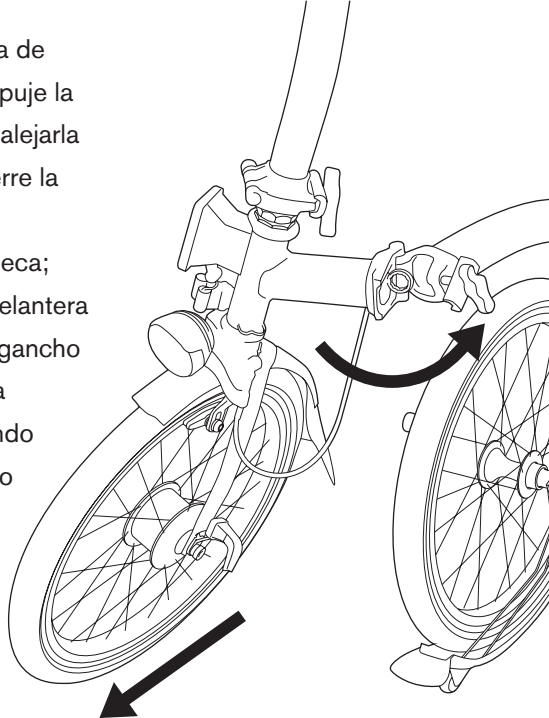
- Abra la palanca de la abrazadera del asiento; tire de la tija de sillín hacia arriba y vuelva a cerrar la abrazadera



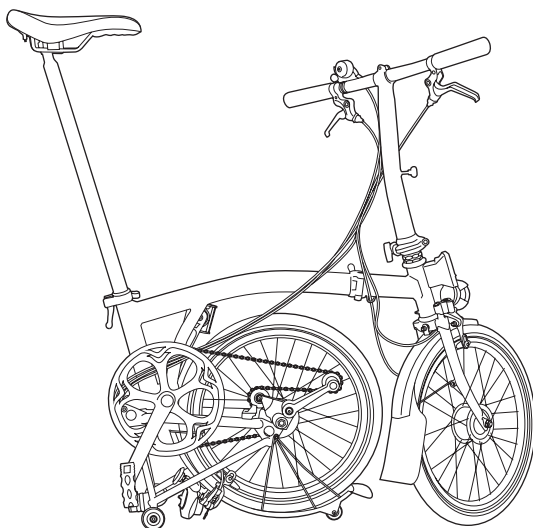
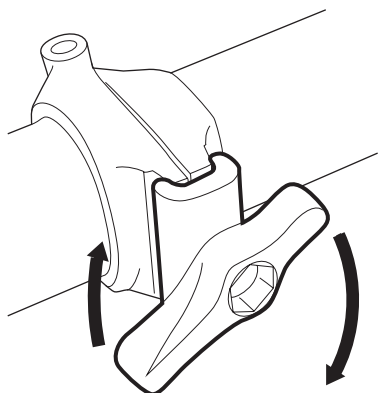
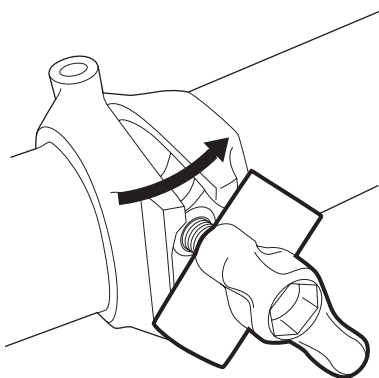
- Coloque la mano derecha en el sillín y sujete el soporte del manillar con la mano izquierda, cerca de la bisagra
- Si mira hacia abajo, hacia el lugar en donde va la cadena entre las dos ruedas, verá el gancho negro que sujeta la rueda delantera al resto de la bicicleta
- Levante el soporte del manillar con la mano izquierda, para elevar el gancho por encima del tubo en el que descansa



- Gire la mano izquierda para alejarla de usted en ángulo, de modo que empuje la horquilla y la rueda delantera para alejarla de usted; empuje hasta que se cierre la bisagra del cuadro principal
- Mientras hace esto, no gire la muñeca; asegúrese de mantener la rueda delantera mirando en la misma dirección; el gancho deberá permanecer a su lado de la bicicleta y la rueda delantera mirando hacia adelante con un ligero ángulo (y no paralela a la rueda trasera)

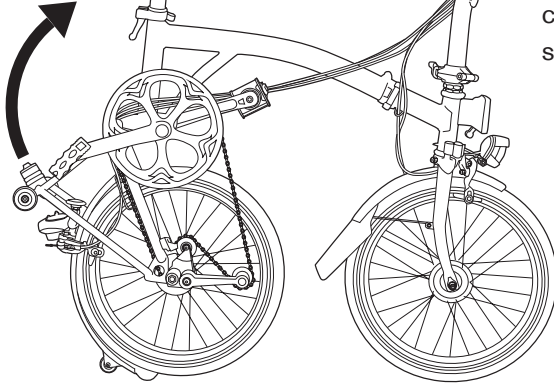


- Ahora se deberá cerrar la bisagra del cuadro principal
- Alinee la placa de la abrazadera de la bisagra y apriete con firmeza la palanca de la abrazadera negra

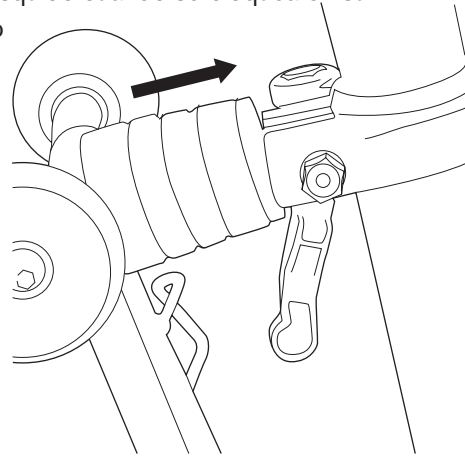


Ahora, la bicicleta está en posición de "aparcada" y se sostendrá sola.

- Para completar el desplegado, sostenga el manillar con la mano izquierda y, con la derecha, levante la bicicleta rápidamente por el sillín y la rueda trasera irá hacia atrás hasta su posición



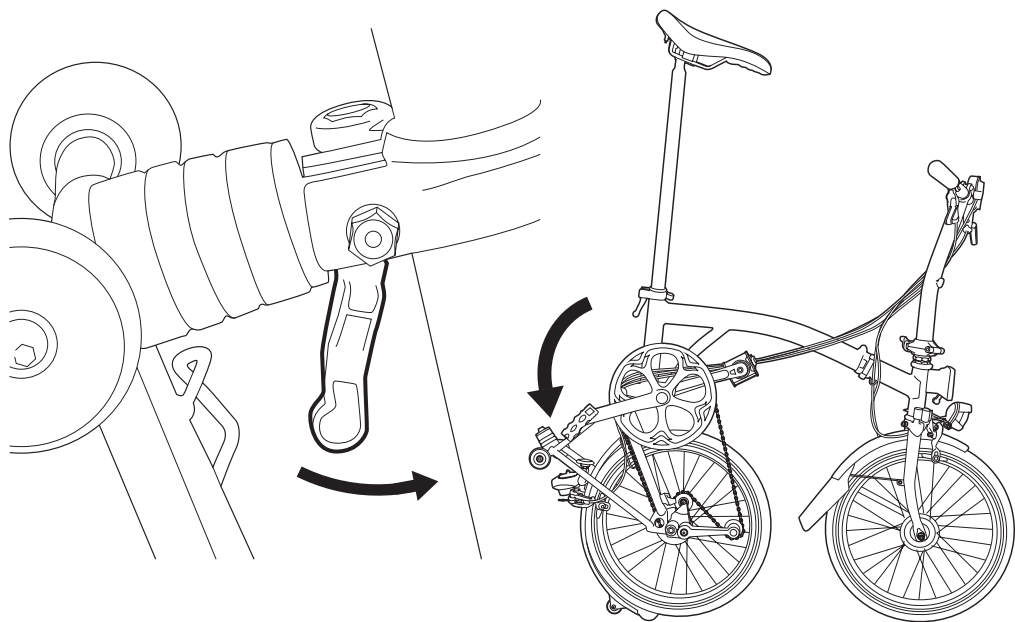
- Empuje hacia abajo en el sillín para asegurarse de que el bloque de suspensión empuja contra el cuadro principal; deberá escucharse un chasquido cuando se bloquea en su sitio



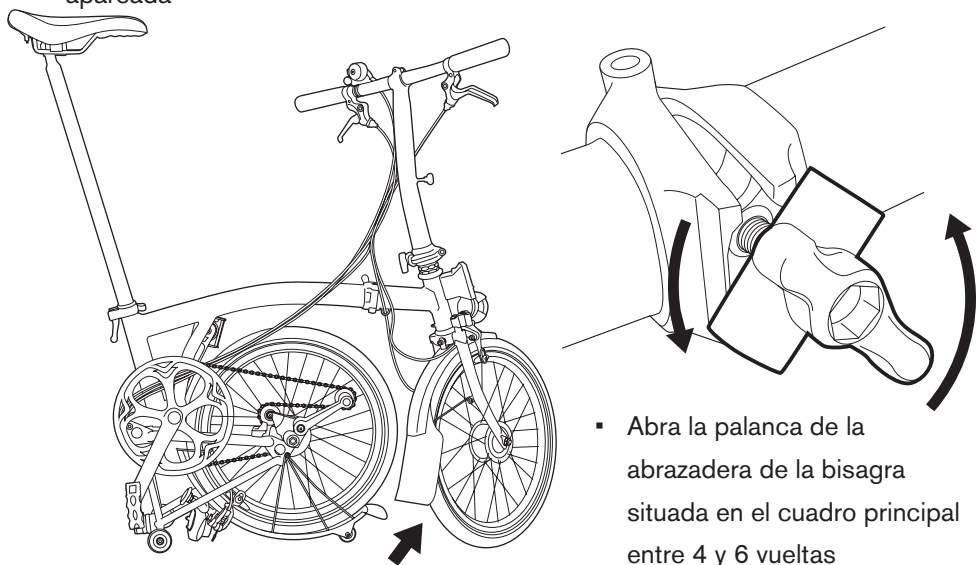
**La bicicleta ya está
desplegada y lista para su uso**

PLEGADO DE LA BICICLETA

- Gire el manillar ligeramente a la izquierda de modo que no quede paralelo a la rueda trasera y gire las bielas de modo que el pedal derecho mire hacia atrás

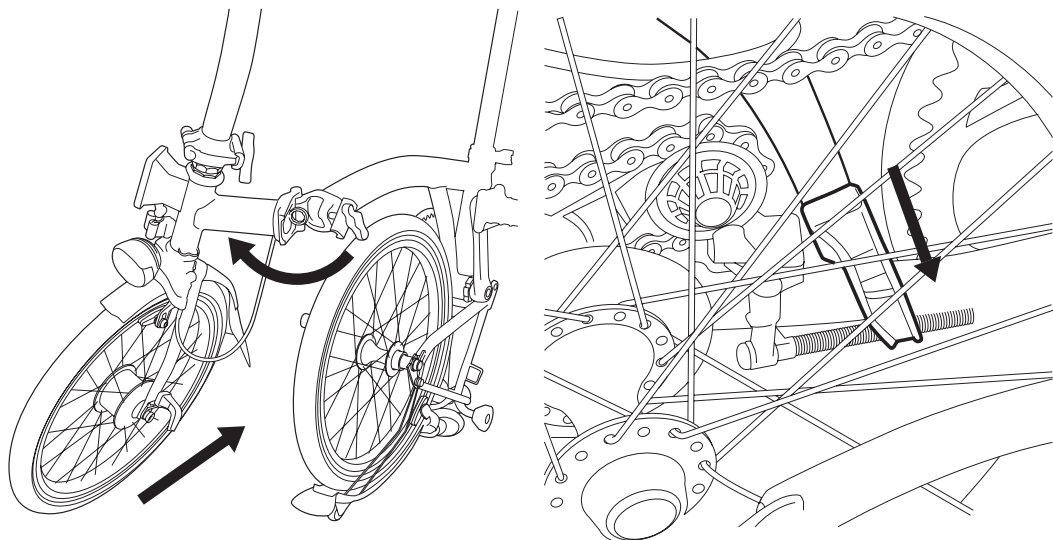


- Hay una pequeña palanca negra detrás y debajo de la abrazadera del asiento. Presiónela hacia delante y levante la parte posterior de la bicicleta rápidamente de modo que la rueda trasera gire hasta colocarse debajo del cuadro; a continuación, baje la bicicleta de modo que quede asentada en su posición "aparcada"

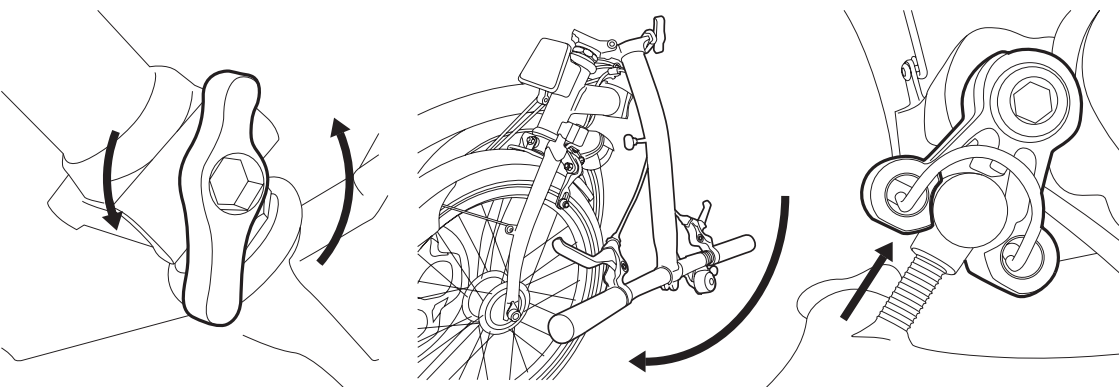


- Abra la palanca de la abrazadera de la bisagra situada en el cuadro principal entre 4 y 6 vueltas

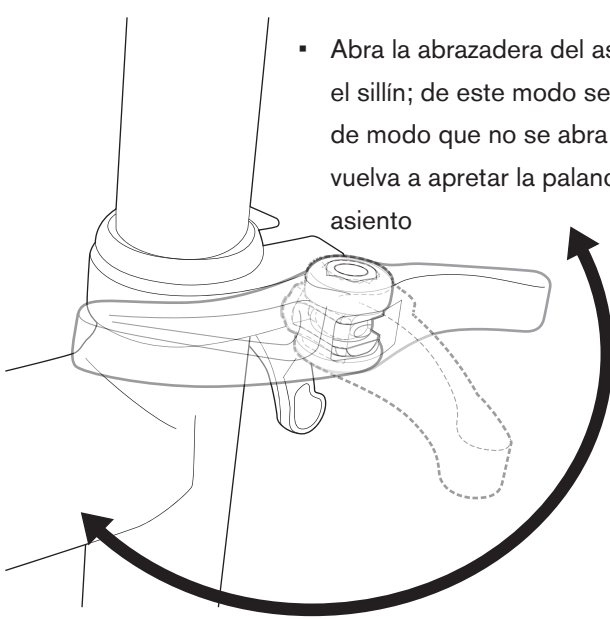
- Con la mano izquierda, sujete el soporte del manillar por encima del manguito de unión de plástico; gire la rueda delantera hacia la derecha, alejándola



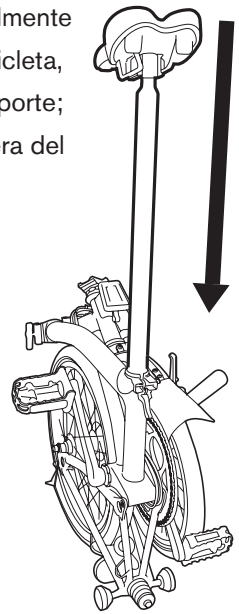
- Mueva el soporte en el sentido de las agujas del reloj, sin doblar la muñeca, y mantenga el gancho hacia usted, hasta que la rueda delantera esté paralela a la trasera; es posible que tenga que levantar un poco la parte delantera de la bicicleta
- Baje el gancho negro sobre el cuadro trasero, por debajo de la sección superior de la cadena



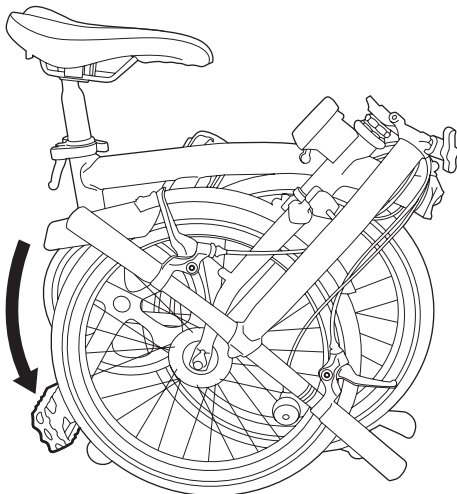
- Abra la palanca de la abrazadera de la bisagra situada en el soporte del manillar unas 4-6 vueltas y deje que caiga el soporte del manillar; el manguito de unión del soporte del manillar se ajustará a la pinza montada sobre la horquilla, bloqueándolo con seguridad a la bicicleta.



- Abra la abrazadera del asiento y baje totalmente el sillín; de este modo se bloqueará la bicicleta, de modo que no se abra durante su transporte; vuelva a apretar la palanca de la abrazadera del asiento



- Tire del pedal izquierdo hacia arriba; el pedal derecho deberá alojarse debajo de la rueda delantera
- Pliegue el pedal izquierdo presionando la placa negra central hacia arriba lo suficiente para que pueda pasar sobre el extremo del brazo de la biela y hacia una posición vertical
- Si no puede levantar la placa, vuelva a girar el pedal e inténtelo de nuevo



Ahora, la bicicleta está plegada y lista para su transporte. Los sillines Brompton tienen una placa de agarre a medida debajo del vértice del sillín.

El pedal izquierdo no debe plegarse al girar las bielas, pues podría atrapar piezas del cuadro trasero y dañar la bicicleta.

SISTEMA DE BLOQUEO

AJUSTE

Al coger la bicicleta ya plegada, esta no se despliega porque el bloqueo LB entra en contacto con la tija del sillín SP e impide que el cuadro trasero se mueva. Puede ajustar el LB para dejar el hueco correcto entre este y el SP. En caso de que no haya el hueco suficiente, la tija se enganchará al plegar la bicicleta. Si deja demasiado hueco, la bicicleta se quedará medio plegada al cogerla.

Lo más sencillo es hacer algunos ajustes al LB con la bicicleta totalmente plegada y con la tija del sillín elevada. Con la tija del sillín elevada, asegúrese de que esté bloqueada usando la abrazadera del asiento.

Para reducir el hueco entre el LB y la SP (figo. 1), desenrosque el tornillo Allen de dentro del LB media vuelta con una llave hexagonal de 4mm y luego baje la tija para comprobar si queda hueco en medio. Si hay demasiado hueco todavía, desenrosque otra media vuelta y vuelva a comprobar la tija. Repita este proceso hasta que consiga el hueco deseado.

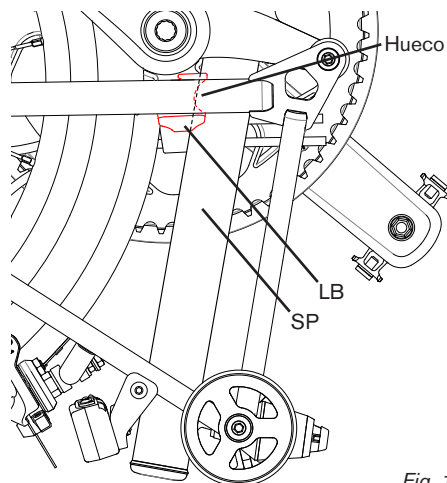
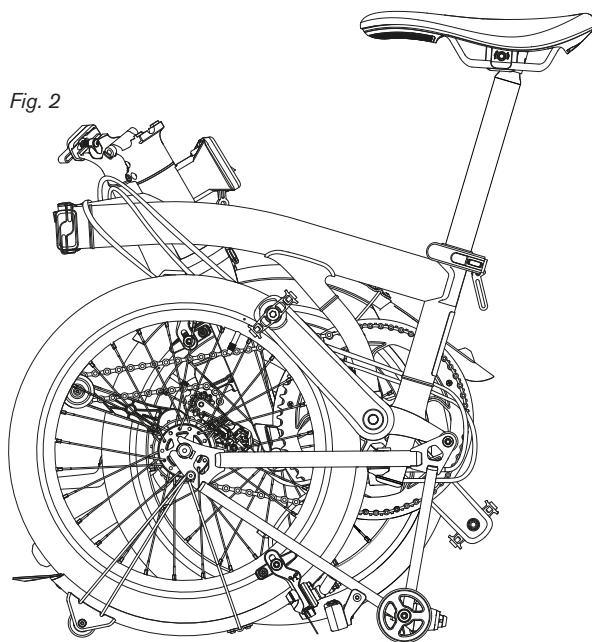


Fig. 1

TIRAR DE/EMPUJAR LA BICICLETA PLEGADA

Puede tirar de/empujar la bicicleta una vez plegada, en vez de levantarla y cargarla. Con la bicicleta plegada, levante el sillín hasta que el final del mismo entre en contacto con el sistema de bloqueo (figo. 2). Como el sistema de bloqueo toca la tija del sillín, la bicicleta sigue en la posición de plegado pero con el sillín ligeramente levantado. En ese momento, el sillín se puede usar como asa para empujar/tirar de la bicicleta.



USO DE LA BROMPTON

PRESIÓN DE LOS NEUMÁTICOS

La presión de los neumáticos es importante tanto para la comodidad como para la seguridad. Tenga en cuenta las siguientes sugerencias para garantizar un uso seguro y cómodo.

Es importante mantener los neumáticos bien inflados; si están blandos, se aumenta el esfuerzo al pedalear (con lo que disminuye la diversión de montar en bicicleta), los neumáticos se desgastan antes y se dificulta la conducción. **Se recomienda tener los neumáticos bien inflados en todo momento.**

La presión más adecuada depende de su peso y de sus preferencias. También conviene recordar que un neumático muy duro no siempre es más rápido. Los neumáticos duros pueden resultar más rápidos en un velódromo; en carreteras rugosas, una presión más baja permitirá desplazarse mejor y, en consecuencia, la conducción será más cómoda y rápida. En general, se recomienda una presión ligeramente inferior en la rueda delantera y ligeramente superior en la trasera; de este modo se equilibra la diferente distribución del peso entre los dos neumáticos.

Las bicicletas Brompton llevan válvulas Schrader, que permiten diversos métodos de inflado. La bomba Brompton viene instalada en el cuadro trasero de las Bromptons de acero con guardabarros. Cuando vuelva a colocar la bomba en la bicicleta, asegúrese de que coincida totalmente con los agarres de la bomba colocados en el cuadro trasero. También se puede usar una bomba convencional de pie o de mano, o bien una bomba de aire como la que se encuentra en las gasolineras.

La tabla a continuación muestra la presión de neumáticos recomendada para la Bicicleta Brompton P Line.

	MARATHON RACER		SCHWALBE ONE		CONTINENTAL CONTACT URBAN	
	MIN(psi)	Máx (psi)	MIN(psi)	Máx (psi)	MIN(psi)	Máx (psi)
Delantera	65	110	65	100	65	116
Trasera	65	110	65	100	65	116

VALORES DE PARES DE APRIETE

Aquí se muestra una lista de valores de pares de apriete para los componentes principales.

Estas piezas deberán verificarse periódicamente, así como durante el mantenimiento de rutina y al reparar la bicicleta.

En caso de que las piezas no estén apretadas al par de apriete correcto, se pueden provocar daños o incluso que se rompa la pieza. Además, podría provocar la pérdida de control de la bicicleta y un posible accidente.

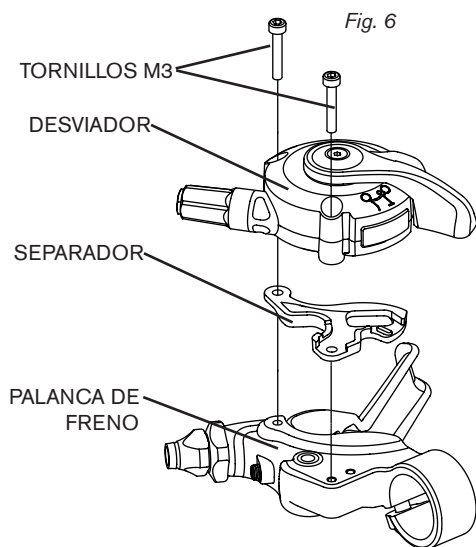
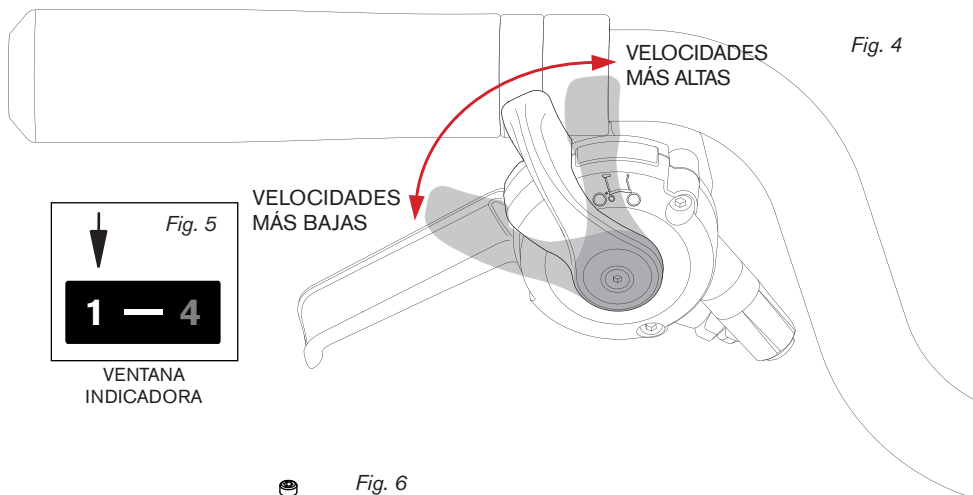
* No intente modificar la altura del soporte del manillar donde entra en la horquilla delantera; debe quedar completamente encajado hasta el tope. Si decide ajustar el alineamiento del manillar a la rueda delantera, asegúrese de que el perno de fijación esté bien apretado antes de subirse a la bicicleta.

Si el soporte del manillar no está bien insertado o apretado, se puede mover y las piezas pueden fallar.

Nombre de la pieza	Par de apriete (Nm)
Fijación de las tuercas de las ruedas delanteras	7
Fijación de las tuercas de las ruedas traseras	7
Tornillos de la palanca de freno	2
Tuerca del tensor de cadena	5
Tornillos del plato	10
Tornillos de bielas	30
Eje de la rueda frontal del dinamo/superlight	8
Pernos de fijación del bloque de transporte delantero	4,5
Perno de fijación de la horquilla de la rueda delantera	3,5
Tornillo expansor del soporte del manillar*	30
Tornillo del clip del manillar	9
Tornillo de la abrazadera del manillar	18
Tuerca de calibre de freno	8
Tornillo de la abrazadera del cable del (calibre de) freno	8
Pedales	30
Pentaclip	10
Fijaciones del soporte del guardabarros	2
Abrazadera de la bisagra trasera	10
Tornillo de montaje del desviador	2

BROMPTON CON CAMBIO DE 4 VELOCIDADES

El desviador de 4 velocidades utiliza una palanca de autorretorno para cambiar entre las cuatro marchas. Al presionarla hacia abajo con el pulgar, cambiará a una velocidad más fácil y al dar en la palanca hacia arriba se pondrá una velocidad más difícil (figo. 4). Al pedalear, lo más aconsejable es ir cambiando las marchas una a una para que el cambio sea más suave y para evitar dañar las piezas. La ventana del indicador muestra qué marcha ha sido seleccionada (figo. 4, 5).



COLOCACIÓN DEL DESVIADOR

El desviador se monta sobre la palanca de frenos izquierda; se fija en su posición con dos tornillos M3. Deben apretarse hasta **0.6Nm**. No apriete en exceso los tornillos, pues se podría reducir el rendimiento del desviador y dañar las piezas.

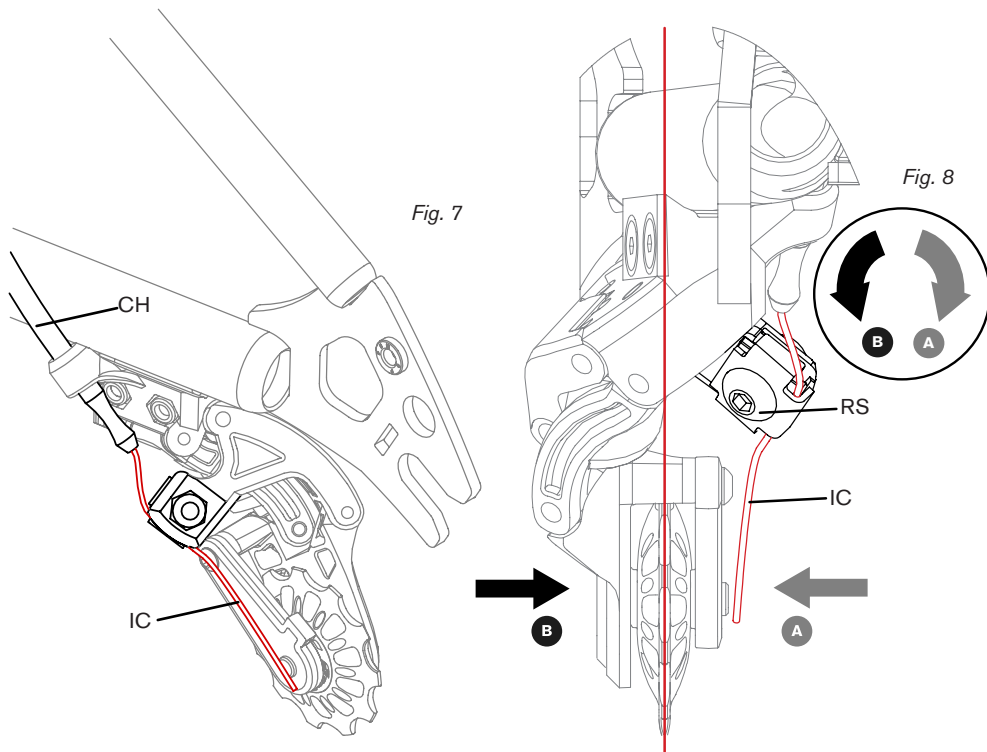
De serie, se coloca un separador (figo. 6) entre el desviador y la palanca de frenos. El separador es esencial para dejar un hueco entre la palanca del desviador y la empuñadura.

MANTENIMIENTO

Es fundamental que las piezas principales como la cadena, la cassette o el desviador estén siempre limpias y bien lubricadas. Si están limpias siempre su vida útil se prolongará y funcionarán mejor. Si hay acumulación de grasa o suciedad en la transmisión, el cambio de marchas no funcionará adecuadamente.

AJUSTE

Si las marchas suenan demasiado o empiezan a fallar y no es por una acumulación de grasa o de suciedad en las piezas, puede que se deba a que el cable esté demasiado estirado. Esto suele pasar mucho en las bicicletas nuevas o si se han ajustado los cables hace poco. Se puede arreglar dándole más tensión al cable, **Consulte las instrucciones sobre la tensión del cable más abajo**. Si el desviador no está bien alineado podría dar el mismo problema. Esto suele afectar a las marchas más altas y más bajas. En ese caso, tendrá que ajustar los dos tornillos de tope LS del exterior del desviador. **Consulte las instrucciones sobre los tornillos de tope más abajo**.



TENSIÓN DEL CABLE

Para añadir más tensión debido al estiramiento del cable, ponga la bici sobre un soporte. Desenrosque el regulador de barril (figo. 10) hacia fuera un cuarto, dando pedales en la bicicleta y comprobando si cada vez hay menos ruido. También puede hacer una comprobación visual para ver si la ruedecilla del desviador está bien alineada con el piñón seleccionado de la cassette. Si la bicicleta no puede alcanzar el piñón más grande, eso quiere decir que hay demasiada tensión. Ajuste el regulador de barril hacia dentro para solucionarlo (figo. 10). Si el problema original no se arregla, cambie al piñón más pequeño de la cassette y suelte el perno para que el cable se quede en su posición dentro del desviador (figo. 7, 8). Use unos alicates pequeños para tirar del cable IC interno y darle más tensión al cable y luego apriete el perno RS (figo. 8).

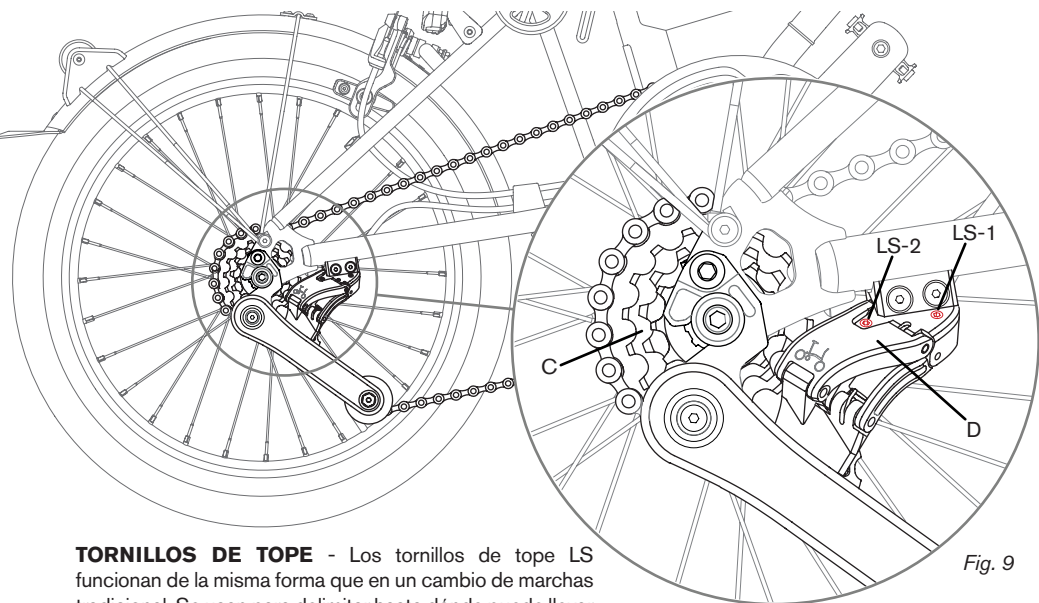


Fig. 9

TORNILLOS DE TOPE - Los tornillos de tope LS funcionan de la misma forma que en un cambio de marchas tradicional. Se usan para delimitar hasta dónde puede llevar el desviador la cadena; tanto desde dentro como hacia fuera. Si hubiera algún problema para alcanzar la marcha más alta o más baja, habría que ajustar el tornillo de tope.

LS-1 se usa para el alineamiento al piñón más grande de la cassette . El **LS-2** es para el más pequeño (figo. 8).

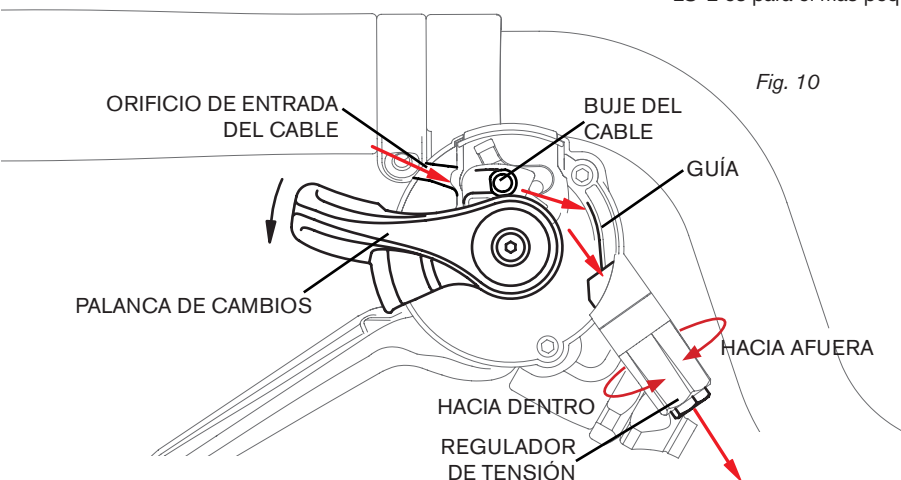


Fig. 10

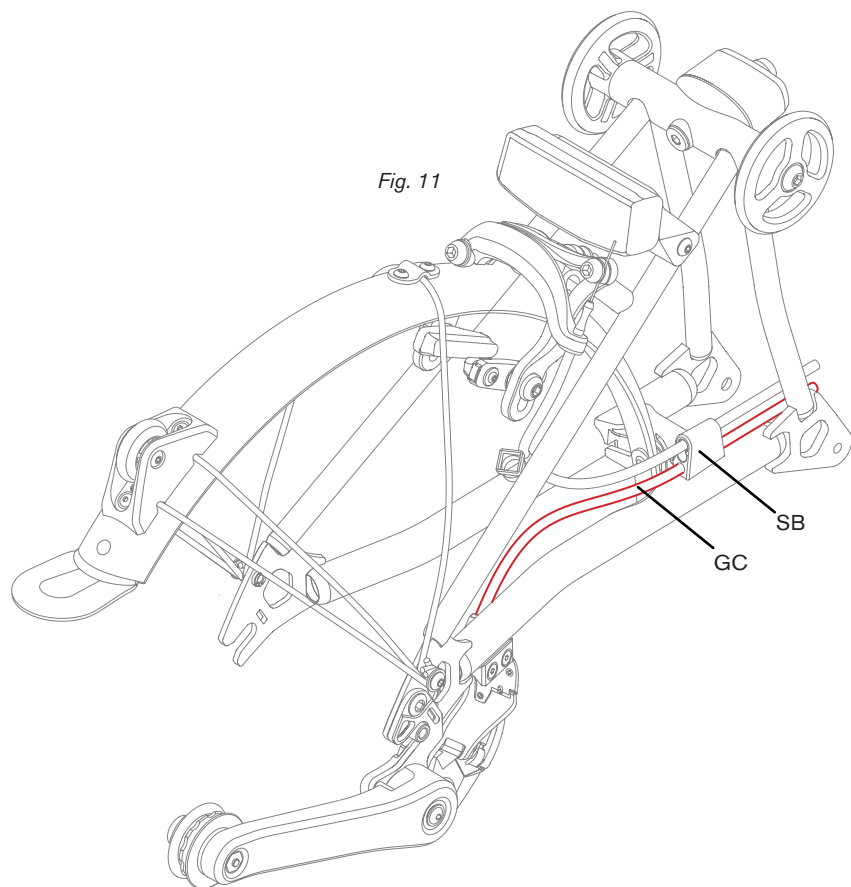
COLOCACIÓN DE UN NUEVO CABLE

- Enrosque el regulador del barril totalmente hacia la derecha para ponerlo en su nivel más corto; a continuación, desenrosquelo 2 vueltas
- Seleccione la marcha más baja (1) y presione la palanca de cambio hacia abajo, de modo que no oculte el orificio de entrada del cable
- Introduzca el cable de las marchas en el desviador en dirección ligeramente hacia abajo y a través del buje del cable
- Si aparece resistencia al introducir el cable por el buje, tire un poco del cable hacia atrás y vuelva a intentarlo
- Cuando observe que el cable ha pasado por el buje, continúe introduciéndolo hasta que note una ligera resistencia
- Continúe introduciéndolo de modo que siga la guía situada dentro del desviador y salga por el regulador del barril.

NO FUERCE EL CABLE, PUES PODRÍA DAÑARSE EL DESVIADOR

AJUSTE DE LAS MARCHAS

- Inserte el cable IC interno de su funda CH
- Enrósqelo totalmente hasta que salga por el extremo de la funda
- Dirija el cable por el cuadro de la bicicleta siguiendo la ruta de los cables ya existentes. Esto es muy importante para poder plegar la bicicleta.
- Cuando el cable toque el cuadro trasero, dirija el cable por el sistema de bloqueo (figo. 11)
- Mediante el uso de alicates o de una herramienta similar, tire del cable por la funda e insértelo totalmente en el desviador
- Apriete el perno que mantiene el cable en su posición dentro del desviador (figo. 8)
- Utilice el regulador de barril en el desviador para realizar ajustes en la tensión del cable según requiera (figo. 10)
- Si desenrosca el regulador, añadirá más tensión al cable y mejorará el cambio a la marcha baja(figo. 10)
- Si enrosca el regulador hacia dentro, reducirá la tensión y mejorará el cambio a la marcha alta
- La ruedecilla del desviador tiene que estar alineada con el piñón seleccionado de la cassette (figo. 10).



Frenos

Debe ajustar los frenos periódicamente, pues son esenciales para la seguridad. El tiempo entre los ajustes variará en función de la frecuencia de uso de la Brompton; si la palanca de freno toca el manillar al apretarla, significa que los frenos necesitan un ajuste urgente. Los frenos deben ajustarse de modo que las pastillas estén lo más cerca posible de las llantas, sin interferir con el giro de las ruedas. El ajuste se lleva a cabo usando el tope del cable roscado en la palanca de freno. Si no está seguro del modo de hacerlo, pida a un distribuidor Brompton o a un técnico cualificado de bicicletas que realice el ajuste.

- Al ajustar el freno trasero, la bicicleta deberá estar desplegada.
- Al ajustar el freno delantero, no coloque las pastillas tan próximas que se peguen a la llanta cuando gire la rueda.
- Sustituya las pastillas de frenos si los surcos de su superficie tienen menos de 1 mm de profundidad.

Si mantiene limpias las llantas y las pastillas de freno, mejorará la capacidad de frenado y aumentará la vida útil de las pastillas y de las llantas. El residuo negro que se acumula en los bordes es una mezcla de suciedad, material de la pastilla y polvo de aluminio procedente de la superficie de frenada de la llanta; este residuo es abrasivo y acelerará el desgaste de la llanta y de las pastillas. Cuando limpie las pastillas y llantas, asegúrese de que no estén desgastadas; si lo estuvieran, habría que reemplazarlas de inmediato.

Luces

Existen dos opciones de iluminación para las Brompton; un faro delantero y trasero que funciona a pilas y un dinamo que genera electricidad mientras se monta en bicicleta. Estos equipos de iluminación para la Brompton se pueden montar en cualquier modelo. Utilice estos faros cumpliendo la normativa local. Para obtener información técnica relacionada con el funcionamiento de los faros a pilas y del sistema de dinamo, consulte la sección técnica de nuestro sitio web <https://www.brompton.com>

LA PINZA DEL CUADRO TRASERO

Para soltar el cuadro trasero, presione la palanca pequeña (figo. 12) hacia delante y levante la bicicleta de modo que el bloque de la suspensión se aleje del pestillo y la rueda trasera gire bajo el cuadro. Baje la bicicleta de modo que quede asentada en posición de aparcada.

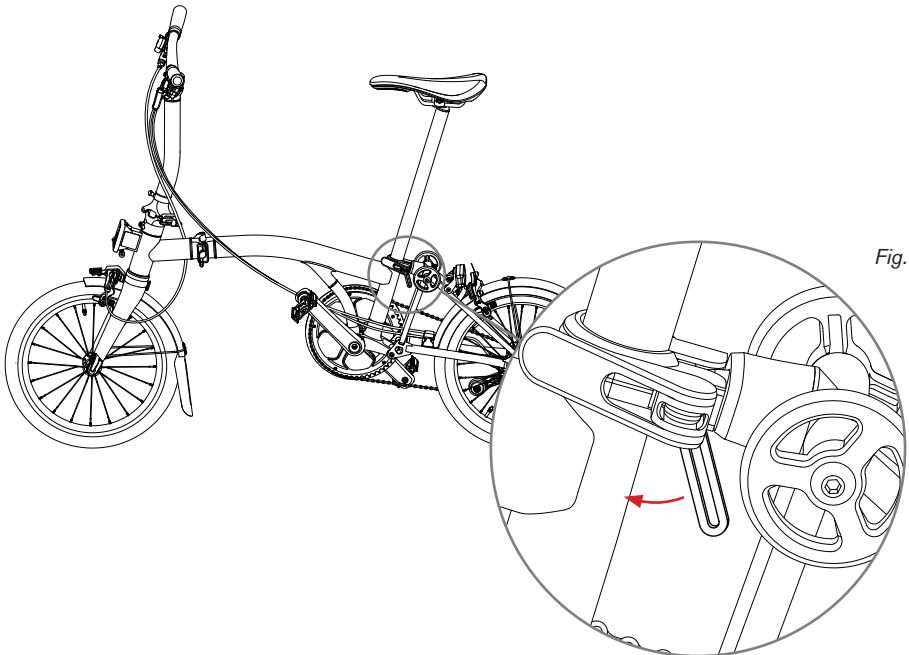


Fig. 12

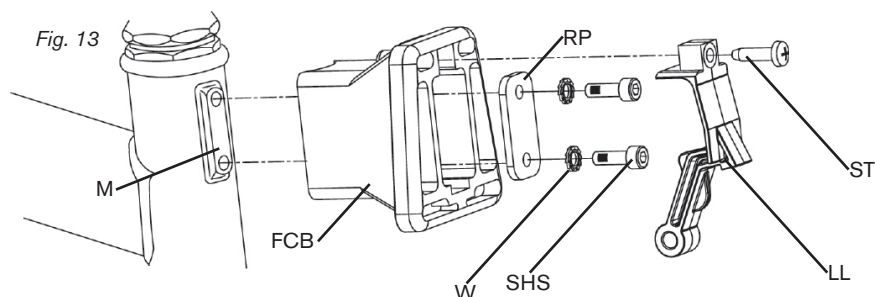
Equipaje

Brompton cuenta con distintos accesorios de equipaje que puede ajustar a su Brompton. Permiten transportar cargas de hasta 10 kg en la bandeja delantera y otros 10 kg en la trasera. Preste atención a las instrucciones que se incluyen con todos los portabultos antes de su uso. El uso de un portabultos incorrecto podría interferir con la conducción y resultar peligroso.

Nota: Todos los portabultos delanteros Brompton son adecuados para su uso en las Bromptons de los Type M, H y P, pero la bolsa T, la bolsa C y la cesta de plegado no son adecuadas para su uso en las Bromptons de Type S.

BLOQUE DE TRANSPORTE DELANTERO

- Compruebe que dispone de todas las piezas mostradas en el diagrama (figo. 13)
- Si lo ajusta por primera vez, retire los dos juegos de tornillos situados en el bloque de montaje soldado M; las bicicletas antigua usan un tornillo de nylon negro con ranura, mientras que las nuevas usan uno de acero con cabeza hexagonal de 2.5 mm
- Es esencial que no olvide ninguna de las arandelas serradas W a la hora de acoplar la placa retenedora RP y que utilice el par de apriete correcto en los tornillos SHS
- La parte azul del parche sirve para bloquear los tornillos en su lugar; no la altere, elimine no exponga a la humedad, pues se reduciría en gran medida la acción de bloqueo.
- Los tornillos no se deben reajustar después de la instalación inicial, la zona azul no funcionaría correctamente.
- Los tornillos deben reemplazarse por la pieza QFCB-BOLTS de Brompton o por dos tornillos Allen M5x16, Clase 12.9 DIN 912 con fijador de roscas de resistencia mediana aplicado a las roscas antes de su instalación



INSTRUCCIONES DE MONTAJE

Se necesita una llave Allen de 4 mm y un destornillador Posidrive. Monte la placa retenedora RP y uno de los tornillos Allen SHS M5, junto con su arandela en estrella W, en el cuerpo del bloque de transporte FCB. Dirija esto hacia el tubo principal de la bicicleta del modo correcto, como se muestra.

- Inserte el primer tornillo dos o tres vueltas; no los apriete del todo
- Inserte y apriete el segundo tornillo con la arandela serrada W
- Finalmente, apriete firmemente ambos tornillos hasta un par de 4.5Nm
- Introduzca el extremo inferior de la palanca de pestillo LL por el orificio situado en la base del bloque de transporte FCB y, a continuación, sosteniendo la parte inferior de la palanca de pestillo, sitúe la parte superior de esta dentro del bloque de transporte
- Introduzca el tornillo autorroscante ST a través del orificio en la palanca de pestillo y asegúrelo con firmeza en el bloque de transporte
- El tornillo ST debe atornillarse en su totalidad, de modo que el pestillo quede bien bloqueado en su lugar; de lo contrario, perderá eficacia y podría caerse el equipaje, lo que resulta peligroso

LIMPIEZA Y LUBRICACIÓN

Es importante lubricar los componentes para que estén en perfecto estado de funcionamiento. Recomendamos hacerlo periódicamente, aunque algunas piezas necesitarán una lubricación más frecuente.

La cadena debe estar bien lubricada para que el pedaleo resulte suave. Aplique lubricante de cadena mientras gira los pedales hacia atrás, asegurándose de que fluya sobre las ruedecillas; deje que el aceite se introduzca bien siguiendo girando los pedales hacia atrás y limpie el exceso.

A la hora de lubricar la cadena, conviene recordar que se trata de lubricar los rodillos de la cadena y no los platos; el lubricante que esté en los platos no va a ayudar a mejorar la eficiencia de la transmisión y solamente servirá para atraer la suciedad. El mejor método es aplicar con cuidado una gota de lubricante a cada rodillo; esto llevará un poco más de tiempo que limitarse a rociar lubricante sobre la cadena mientras mueve los pedales hacia atrás, pero se asegurará de que el lubricante solo vaya a donde es necesario.

La rosca de la tuerca de la abrazadera de la bisagra y su arandela deberán engrasarse ocasionalmente. Una pequeña película de grasa en las caras internas de las placas de las abrazaderas también ayuda a que se puedan aflojar con mayor facilidad.

Los piñones y rodamientos están cerrados herméticamente; sólo deberá realizarse un engrasado en caso de reparación importante por parte de un mecánico de bicicletas.

Al lubricar su Brompton, evite que el aceite o la grasa llegue a la tija de sillín o a las llantas de las ruedas. Cualquier grasa de propósito general y buena calidad es satisfactoria. Para la cadena, los lubricantes "secos" con buenas propiedades de penetración proporcionan los mejores resultados. Considere el impacto sobre el medio ambiente de los lubricantes y grasas que utilice.

Recomendamos usar un cubo de agua jabonosa caliente y una esponja para limpiar la bicicleta. No utilice una manguera ni un lavador a presión, pues el agua podría penetrar a la fuerza en los rodamientos y piezas móviles, extrayendo lubricante y provocando corrosión.

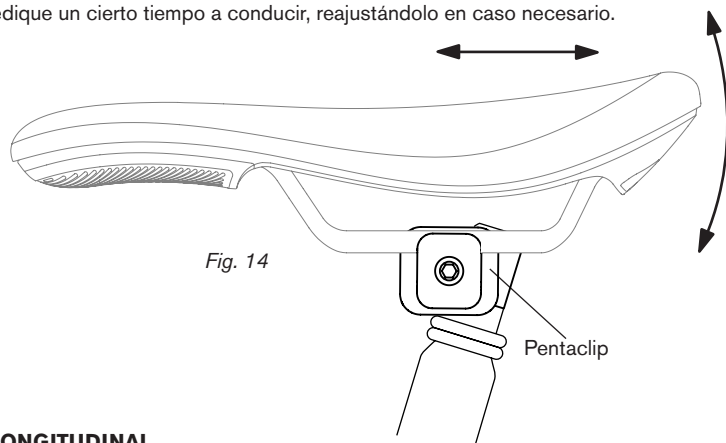
AJUSTE DE LA POSICIÓN DEL SILLÍN

Se puede ajustar tanto el ángulo como la posición longitudinal del sillín. Para establecer la posición más cómoda, deberá comenzar ajustando el sillín en una posición neutra; podrá trabajar a partir de aquí para encontrar la mejor posición. En primer lugar, afloje el perno Pentaclip con una llave hexagonal de 5 mm hasta que pueda moverse el sillín con poca fuerza. Tenga cuidado de no aflojar esta tuerca demasiado, pues se dificultaría el ajuste.

Mueva los railes del sillín en la abrazadera de modo que queden aproximadamente en el centro (a mitad de camino entre las posiciones máximas hacia delante y hacia atrás). Ajuste el sillín en una posición equilibrada, de modo que la superficie superior del sillín esté aproximadamente plana entre el borde delantero y trasero (figo. 14) Con el sillín en una posición neutra, apriete la tuerca Pentaclip hasta 10Nm. Pruebe la posición del sillín; puede ajustarla para que le resulte más cómoda.

ÁNGULO

Si el vértice parece que apunta hacia arriba, o si considera que la parte posterior del sillín no proporciona suficiente apoyo, pueden modificar el ángulo del sillín hacia delante. A la inversa, podría suceder que hubiera que inclinar el sillín un poco hacia atrás, para recibir mayor apoyo del vértice, o podría parecer que todo el peso del usuario descansa sobre la parte posterior del sillín. Cuando haya ajustado el sillín, apriete la tuerca Pentaclip y dedique un cierto tiempo a conducir, reajustándolo en caso necesario.



POSICIÓN LONGITUDINAL

Si se mueve el sillín hacia adelante y hacia atrás a partir de la posición central neutra, no solo cambiará la distancia al manillar, sino también la posición relativa a los pedales. Al mover el sillín hacia atrás, aumentará la distancia al manillar y hará que la bicicleta quede un poco más extendida. Si mueve el sillín hacia adelante, la bicicleta parecerá más corta y más erguida. Pruebe la bicicleta y reajuste en caso necesario, asegurándose de apretar con seguridad el Pentaclip hasta 10Nm.

ALTURA ADICIONAL DEL SILLÍN

Si, a pesar de aumentar al máximo la altura del sillín, no se encuentra cómodo, existen dos opciones de Brompton que le proporcionarán más altura: una tija telescópica y una tija extendida en 60 mm. La tija telescópica puede satisfacer las necesidades de los usuarios más altos, con muy poca variación del tamaño plegado.

El manillar y las palancas de los cambios de la Brompton están ajustados en fábrica para proporcionar un equilibrio entre tamaño compacto y comodidad al montar en bicicleta. Si realiza algún cambio, el manillar o el soporte del manillar plegados no quedarán tan próximos a la rueda delantera como en su posición normal, y aumentará el tamaño del paquete plegado.

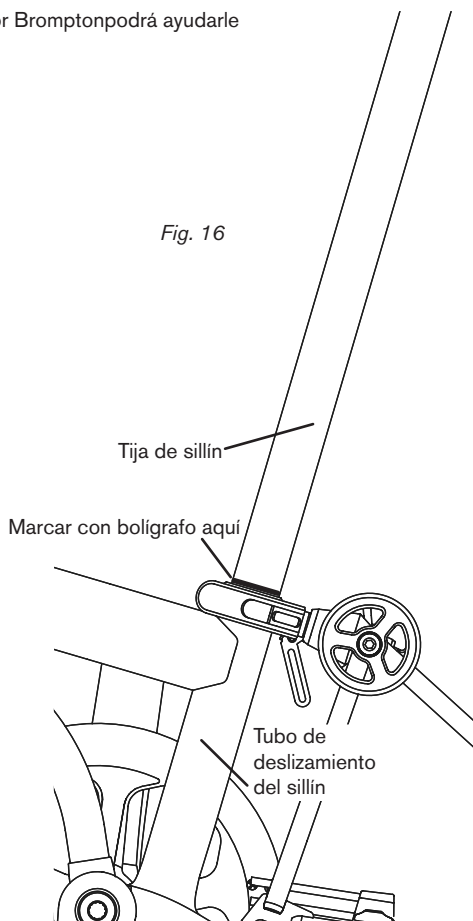
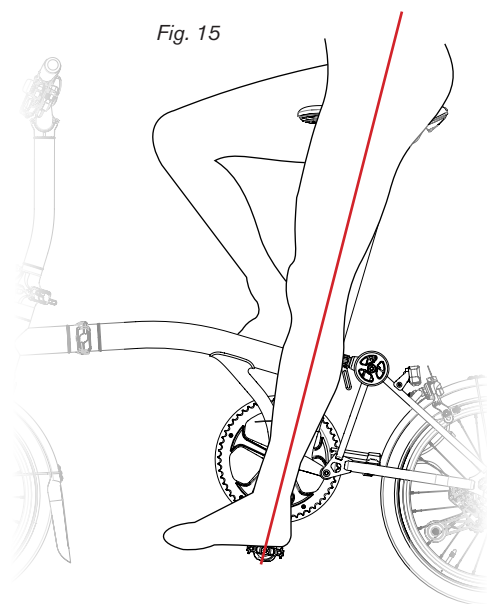
Si es necesario mover el soporte del manillar por algún motivo, se recomienda que se encargue estos ajustes a un distribuidor Brompton o a un técnico de bicicletas autorizado. La tuerca del manillar debe apretarse hasta un par de 10Nm.

ACOPLAMIENTO DEL INSERTO DE ALTURA DEL SILLÍN

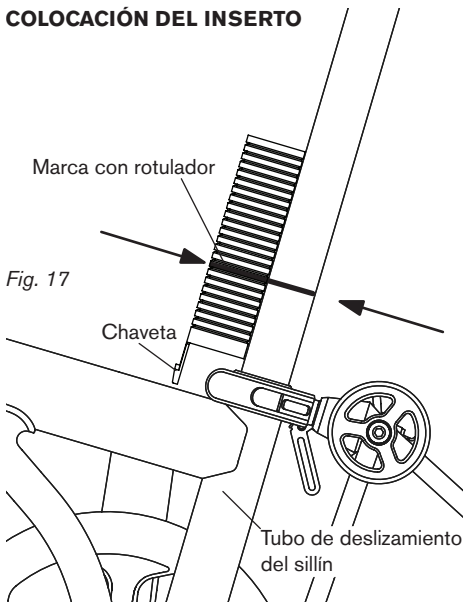
Con el sillín en la posición correcta, puede ajustar su altura. El inserto deberá colocarse si la altura del sillín está demasiado elevada en la máxima extensión. El inserto de altura del sillín le permitirá ajustar el sillín a la altura correcta cada vez que se despliegue la bicicleta.

AJUSTE DE LA ALTURA DEL SILLÍN

- Recuerde usar en este momento las zapatillas de ciclismo habituales
- Ajuste la altura del sillín de modo que, con el pedal en la parte inferior y el talón de la zapatilla sobre el pedal, la pierna queda recta (figo. 15)
- Al pedalear con la parte delantera del pie, la pierna deberá quedar ligeramente doblada en la máxima extensión
- Cuando esté satisfecho con la altura del sillín, marque la tija del sillín con un rotulador o con cinta en la parte superior del tubo de deslizamiento del sillín (figo. 16)
- La altura mínima de la tija del sillín se alcanza cuando la tija del sillín se extiende fuera del tubo del sillín, debajo de la parte inferior del cuadro. No se debe montar en la bici con la tija del sillín sobresaliendo de la parte inferior del tubo del sillín
- Si no está seguro sobre el proceso de ajuste, su distribuidor Brompton podrá ayudarle

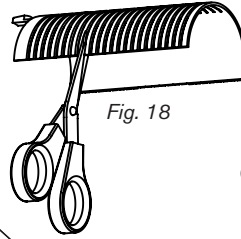


COLOCACIÓN DEL INSERTO

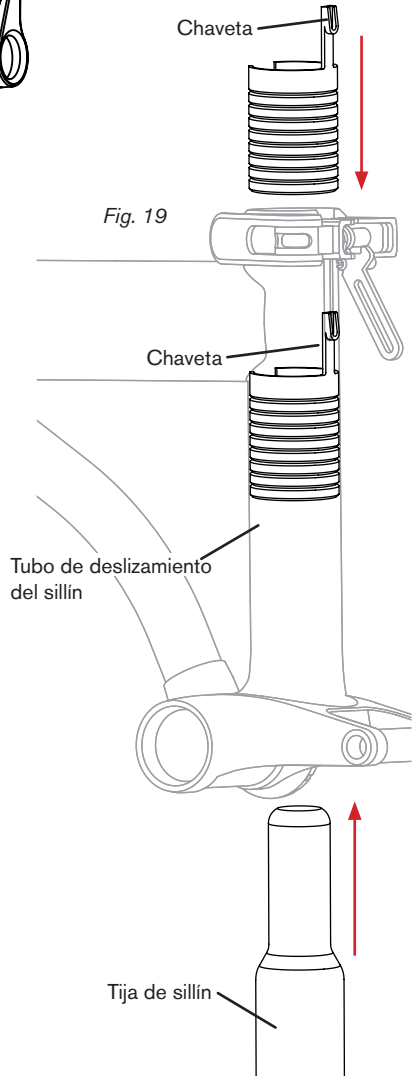


MEDIDA Y CORTE DEL INSERTO

- Levante la tija del sillín hasta su altura máxima
- Coloque el inserto al revés contra la tija en la parte superior del tubo de deslizamiento del sillín como se muestra (figo. 17) y marque el surco en el inserto, lo más próximo a la marca de la tija de sillín.
- Corte con cuidado el inserto a lo largo de este surco con tijeras (figo. 18)



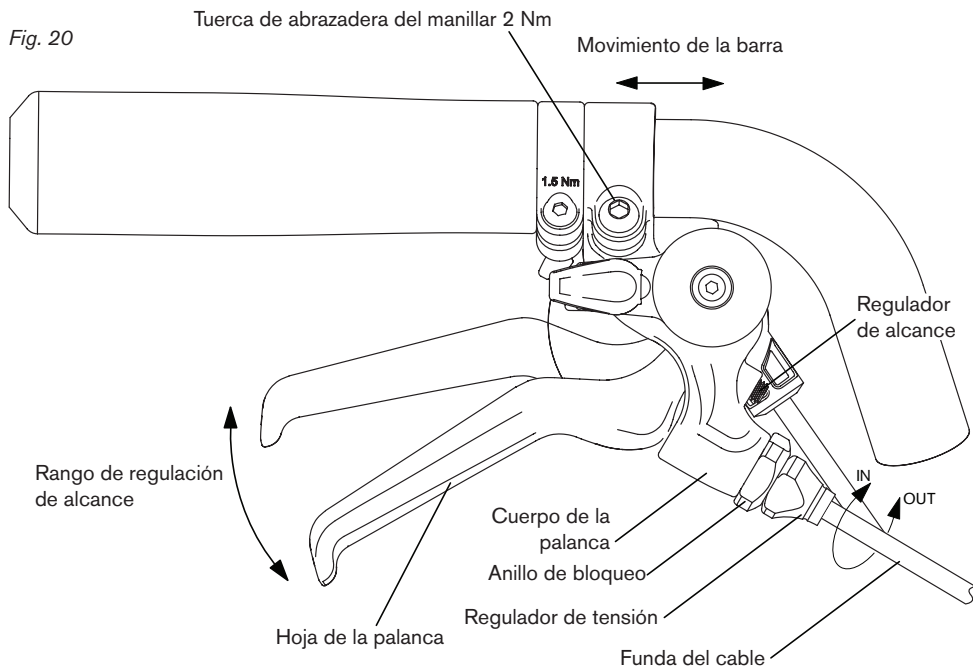
- Marque el Pentaclicp para mostrar el ángulo y la posición del sillín en el Pentaclicp con un rotulador o con cinta
- Afloje el Pentaclicp con una llave hexagonal de 5 mm y retire el sillín y las juntas tóricas de la parte superior de la tija del sillín
- Retire la tija de sillín deslizándola hasta sacarla desde la parte inferior del cuadro
- Pellizque el inserto de altura del sillín e insértelo en la parte superior del tubo del sillín, alineando la chaveta con la ranura (figo. 19)
- Encaje la chaveta con la base de la ranura (figo. 19)
- Vuelva a colocar la tija de sillín en la parte inferior del cuadro (figo. 19), asegurándose de que la tija esté limpia
- Vuelva a colocar las juntas tóricas y el sillín, alineando las marcas de ajuste del Pentaclicp y apriete (15 Nm)
- Compruebe que la altura del sillín es correcta en la máxima extensión; puede realizar pequeños ajustes moviendo hacia arriba o hacia abajo ligeramente la posición del Pentaclicp en la tija (figo. 14); para obtener más información, consulte <https://www.brompton.com>



AJUSTE DE LA PALANCA DE FRENO

Con el fin de conseguir una posición de la palanca de freno cómoda y segura, es importante dedicar un cierto tiempo a asegurarse de que la palanca esté correctamente ajustada. En función del tamaño de su mano, puede ajustar la distancia entre la palanca y la barra; la palanca puede ajustarse con uno, dos o tres dedos.

Las palancas derecha e izquierda están diseñadas especialmente para sus respectivas posiciones. La palanca se instala con el tornillo de sujeción boca arriba (figo. 20).



1. ÁNGULO DE LA PALANCA

El rango de ajuste del ángulo de palanca está limitado por la ruta de salida del cable; si la palanca tiene un ángulo demasiado alto, provocará problemas para el funcionamiento de los frenos y para plegar la bicicleta.

Con la bicicleta plegada, la funda del cable del freno derecho contactará con la pata de la horquilla. El ángulo de la palanca deberá ajustarse de modo que la funda del cable contacte ligeramente con la pata de la horquilla; demasiado contacto doblará y dañará la funda. Por este motivo, la hoja de la palanca cuenta con un estrangulamiento que permite a la hoja de la palanca asentarse más arriba que el cuerpo de la palanca; esto ofrece una posición más cómoda sin que ello afecte a la ruta de la funda del cable.

2. POSICIÓN DE LA PALANCA

Se puede ajustar la posición de la palanca en el manillar para acercarla o alejarla del extremo de la empuñadura del manillar. Este ajuste permite colocar la palanca para frenar con uno, dos o tres dedos.

Si se sitúa la palanca para frenar con un dedo, se conseguirá un agarre más seguro en el manillar, pero se aplicará menor fuerza de frenado. Frenar con tres dedos permite aplicar la máxima fuerza de frenado, pero reduce el agarre del manillar.

3. REGULADOR DE ALCANCE

El ajuste de la distancia de la palanca está controlado por el tornillo prisionero situado en el lateral del cuerpo de la palanca.

Si atornilla el regulador de alcance en el cuerpo de la palanca (llave hexagonal de 2.5 mm), la palanca se acercará al manillar.

Si se ajusta la distancia de la palanca de modo que quede más próxima al manillar, las pastillas de freno se acercarán a la llanta de la rueda. Podría ser necesario ajustar el punto de mordida de la palanca (posición de acoplamiento) con el fin de proporcionar una distancia suficiente de la pastilla; esto se puede conseguir atornillando el regulador de barril en el cuerpo de la palanca.

Si no hay suficiente ajuste en el regulador de barril para dar suficiente espacio de las pastillas y un punto de mordida de palanca satisfactorio, es posible que tenga que aflojar la tuerca de la abrazadera del cable (llave inglesa de 10 mm) en el calibre de freno para permitir que se tire del cable un poco. Asegúrese de volver a apretar esta tuerca a 8 Nm y asegúrese de que el cable está correctamente fijado antes de usar la bicicleta.

4. AJUSTE DEL PUNTO DE MORDIDA

El ajuste del punto de mordida (posición de acoplamiento) está controlado por el regulador de barril. Si atornilla el regulador de barril en el interior del cuerpo de la palanca, el punto de mordida de la palanca se acercará al manillar. Si atornilla el regulador de barril hacia fuera respecto del cuerpo de la palanca, el punto de mordida se alejará al manillar.

El regulador de barril usa un anillo de bloqueo para fijarse en su posición; deberá aflojarse antes del ajuste y apretarse una vez que el regulador de barril se coloque correctamente.

5. FIJACIÓN DE LA PALANCA

Una vez correctamente colocada la palanca en el manillar, la tuerca de la abrazadera deberá apretarse a un par de 2 Nm (llave hexagonal de 4mm).

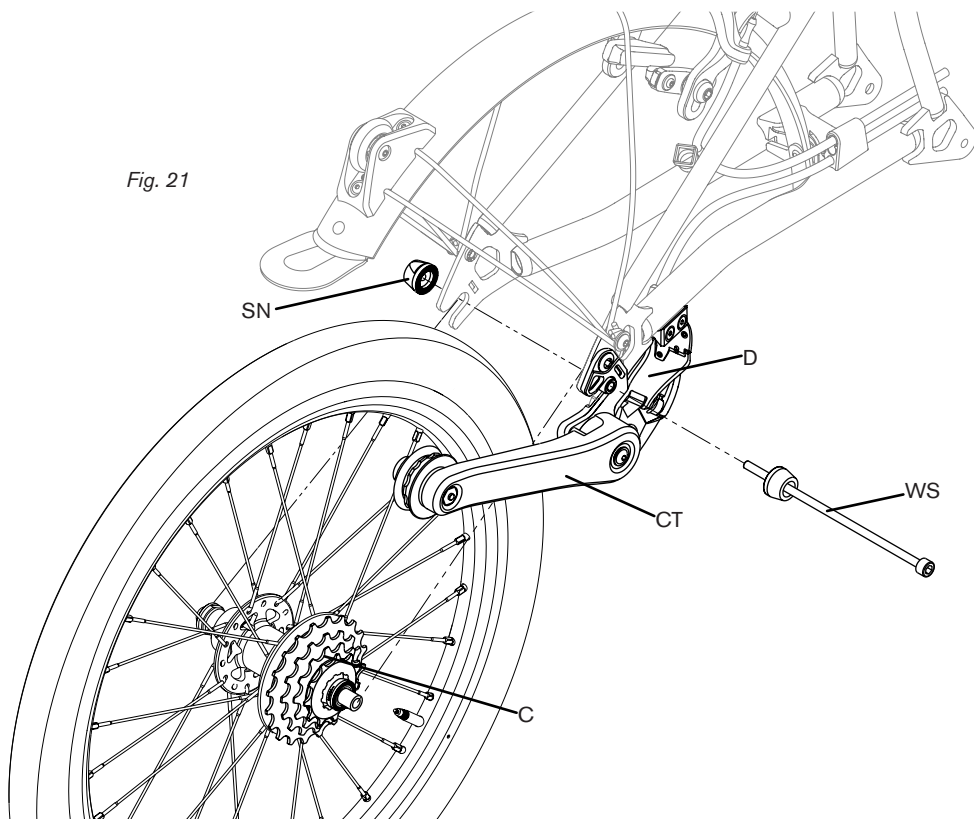
Es esencial el correcto direccionamiento del cable y la correcta longitud de la funda del cable; los cables deberán pasar por delante del manillar, a la izquierda del soporte de éste y a la derecha del tubo del cuadro principal.

SI NO ESTÁ SEGURO DE CUALQUIERA DE ESTOS AJUSTES, CONSULTE A SU DISTRIBUIDOR BROMPTON; NO TRATE DE USAR LA BICICLETA CON FRENOS MAL AJUSTADOS

RUEDA TRASERA: RETIRADA Y COLOCACIÓN

- A la hora de retirar la rueda trasera, cambie las velocidades al engranaje más bajo de la cassette.
- Se ha de quitar el tensionador de la cadena antes de quitar la ruedecilla
- Asegúrese de que el sillín esté correctamente fijado, en caso contrario, puede que las marchas no funcionen correctamente.
- Es fundamental que siga el procedimiento correcto y que apriete bien todas las fijaciones.

Fig. 21



RUEDA TRASERA: RETIRADA Y ACOPLAMIENTO

Para quitar la rueda trasera, ponga la bicicleta en un soporte. Tiene que quitarle la tensión a la cadena. Puede hacerlo quitando el CT. Si la cadena está suelta se puede quitar del C y entonces se podrá quitar la rueda. Use una llave hexagonal de 5mm para aflojar el WS. Una vez aflojada, para evitar que la tuerca SN se mueva al lado opuesto, sujétela bien. Luego quite la WS. Para que la rueda pueda pasar el calibre de freno, el neumático tiene que estar desinflado. Con un poco de presión, podrá sacar la rueda.

AJUSTES

Si va a hacer ajustes en la rueda trasera, póngala sobre un soporte. Asegúrese de que la orientación es la correcta comprobando que la flecha del neumático apunta hacia delante. Ponga la rueda en su sitio, garantizando que la cadena esté correctamente colocada en la cassette C. Con la rueda ya en su sitio. Inserte el tornillo WS como en la imagen (figo. 21). Apriete el perno del tornillo a 7Nm. Ahora puede acoplar el tensor de cadena CT con la cadena.

Sustituciones rutinarias

Se recomienda cambiar periódicamente algunas piezas para garantizar la seguridad y un buen rendimiento. Los intervalos que se sugieren entre las sustituciones se refieren a bicicletas sometidas a un uso normal; la periodicidad dependerá de las condiciones de uso y del estilo de montar en bicicleta. Recomendamos piezas de repuesto genuinas de Brompton para los componentes esenciales para la seguridad.

COMPONENTES DE ALUMINIO Al igual que en otras bicicletas ligeras, se usa una aleación de aluminio en la fabricación de la Brompton; este material tiene una vida útil finita antes de deteriorarse. Con el uso normal, el riesgo de deterioro por fatiga del aluminio es remoto, incluso tras muchos miles de kilómetros. No obstante, el riesgo de avería aumenta con el uso, en especial si se monta por terrenos escarpados o si se carga en exceso la bicicleta. Como una avería de este tipo podría provocar lesiones, las placas de la abrazadera de la bisagra, el manillar, el conjunto de la cadena, la tija y los pedales deberán sustituirse cada 5000 millas (8000 km) (con mayor frecuencia si se usa en terrenos escarpados); recomendamos que estos componentes se verifiquen periódicamente.

TRANSMISIÓN Todas las bicicletas Brompton cuentan con un tensor de cadena autoajutable para mantener la adecuada tensión de la cadena. Con el tiempo, la cadena y los engranajes se irán desgastando (se afloja la cadena), lo cual provocará una pérdida en la transmisión de potencia. Recomendamos sustituir la cadena y los engranajes cada 2000/3000 millas (3200/4800 km), pero la limpieza y lubricación periódicas prolongarán la vida útil de la cadena. No use nunca una cadena nueva con engranajes gastados ni a la inversa. Para medir la tensión de la cadena, puede usar una herramienta de estiramiento de la cadena.

FRENOS Los cables no tienen una duración indefinida y, para reducir el riesgo de avería, se deben sustituir cada 4000 millas (6400 km) o antes. Los cables externos nuevos deben tener exactamente la misma longitud que los originales; para conseguir los mejores resultados, utilice cables genuinos específicos de Brompton y pida a un distribuidor Brompton o a un técnico de bicicletas autorizado que se los ajuste. Unos cables con una longitud incorrecta podrían afectar a la seguridad y al rendimiento de la bicicleta.

CABLES DE LAS MARCHAS Deberán sustituirse con la misma periodicidad que los de los frenos. Dado que los cables de Brompton están diseñados específicamente para bicicletas Brompton, solo deberán usarse cables genuinos de Brompton. Pida a un distribuidor Brompton autorizado o a un técnico de bicicletas autorizado que se los ajuste. Unos cables con una longitud incorrecta podrían afectar a la seguridad y al rendimiento de la bicicleta.

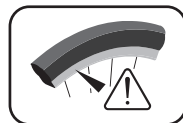
ZAPATAS DE FRENO Cuando los zapatas de frenos son nuevos, tienen surcos en la superficie de frenada; cuando estos surcos tengan menos de 1 mm de profundidad o no se vean, será necesario sustituir las pastillas. Dado que las pastillas de frenos son esenciales para que estos funcionen correctamente, recomendamos que las ajuste un técnico de bicicletas cualificado, usando pastillas de freno de repuesto de Brompton.

NEUMÁTICOS El riesgo de sufrir pinchazos aumenta con el uso y conforme la superficie de rodadura del neumático comienza a desgastarse. Cuando observe que la superficie del neumático está desgastada, cambie el neumático. Así reducirá la posibilidad de sufrir pinchazos y aumentará la eficacia del pedaleo.

ILUMINACIÓN CON DINAMO Los cables eléctricos que se usan para la iluminación con dinamo se van desgastando al plegar y desplegar la Brompton. Cuando se gasten los cables, sustitúyalos inmediatamente para evitar que se dañe la dinamo. Si se averían las luces, pida a un técnico de bicicletas cualificado que las inspeccione para que pueda ver y estar seguro en la carretera.

BLOQUE DE SUSPENSIÓN Verifica una vez al año el desgaste del bloque de suspensión. Si observa grietas en el bloque de suspensión, sustitúyalo de inmediato.

LLANTAS DE LAS RUEDAS Las superficies de frenado de las llantas se desgastan con el uso. Hay una pequeña biela en la superficie de los frenos, cerca de la válvula; que sirve de indicador de desgaste. Cuando la llanta se desgasta y la biela ya no se ve, esto quiere decir que se debe cambiar la llanta. Busque este símbolo en las llantas de las ruedas.



SERVICIO DE MANTENIMIENTO DE LAS 100 MILLAS (160 KM) Determinados elementos de la bicicleta necesitan un tiempo para ajustarse; para evitar daños, deben revisarse poco después de adquirir la bicicleta. Te recomendamos que hagas una revisión con un mecánico tras las primeras 100 millas de tu Brompton (160 kilómetros) o el primer mes (lo que ocurra primero) ya que determinados elementos de la bicicleta necesitan un tiempo para ajustarse; para evitar daños. Hay que prestar atención en particular a los siguientes elementos:

RADIOS Es necesario verificar y ajustar la tensión de los radios. Si se soltara un radio por alguna razón, los radios vecinos estarían soportando una carga extra y podrían romperse.

JUEGO DE PLATOS, BIELAS Y PEDALES Deberá comprobarse si están bien apretados. El par de torsión correcto es de 30 Nm; (el hilo para el pedal izquierdo está a la izquierda).

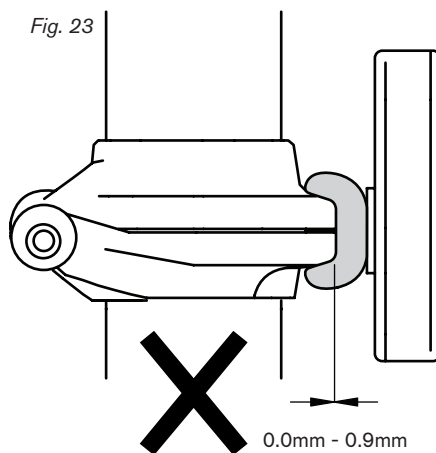
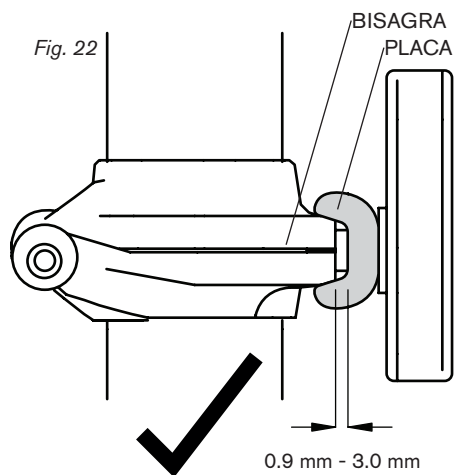
CABLES Aunque los cables están pretensados, inevitablemente se produce un estiramiento adicional inicial. Dado que esto afecta a los cambios de velocidad, deberá verificarse que los piñones estén correctamente ajustados. Se recomienda ajustar los frenos al mismo tiempo.

CASQUILLO DE LA TIJA DE SILLÍN La tija de sillín se desliza hacia arriba y hacia abajo en un casquillo de plástico dentro del cuadro; se trata de una pieza que se desgasta y hay que sustituir periódicamente. Si la tija de sillín se resbala al montar o si es necesario apretar en exceso la tuerca de la abrazadera de liberación rápida de la tija de sillín para que se agarre a la tija, es posible que el casquillo se haya desgastado en exceso y sea necesaria su sustitución. De no sustituirse, un casquillo desgastado puede provocar daños en el propio cuadro. Sustituir el casquillo requiere herramientas de especialista; debe encargarse la tarea a un distribuidor Brompton autorizado.

BISAGRA TRASERA Con el tiempo, los casquillos del eje del cuadro trasero pueden desgastarse; podrás detectar un poco de holgura. Con el fin de eliminar la holgura, es necesario sustituir los bujes. Este trabajo debe encomendarse a un distribuidor Brompton; se requieren herramientas especiales para llevar a cabo este trabajo.

PLACA DE FIJACIÓN DE LA BISAGRA Si la placa está desgastada o dañada, podría reducirse la eficacia de la abrazadera de la bisagra; debe inspeccionarse periódicamente y sustituirse en caso necesario. El hueco entre la bisagra y la placa de su abrazadera (figo. 22) con la palanca apretada, tanto en la bisagra del manillar como en la del cuadro principal, debe medir entre 0.90 mm y 3.00 mm. Estas piezas deberán verificarse periódicamente y sustituirse en caso necesario.

Si el hueco entre la bisagra y la placa de su abrazadera es inferior a 0.90 mm (figo. 23), cambie la placa de la abrazadera de la bisagra. No se debe montar en la bicicleta si no hay hueco entre la placa de la abrazadera y la bisagra, hasta que se reemplace la placa.



GARANTÍA

Si la bicicleta está registrada y presenta un defecto de fabricación, sustituiremos gratuitamente la pieza defectuosa si se nos comunica en el plazo de siete años (en el caso del cuadro) o de dos años en caso de que no esté registrada (y para otras piezas) desde la fecha de primera compra de la bicicleta. La bicicleta Brompton está diseñada para su uso en carreteras y caminos lisos. No se ha diseñado para hacer bici de montaña: ello podría sobretensionar el cuadro; además, los neumáticos y las ruedas no son los idóneos.

MY BROMPTON En esta sección del sitio web de Brompton, los usuarios pueden anotar los datos de su bicicleta, para que nos podamos poner en contacto con ellos en caso necesario; además al registrar aquí la bicicleta se activa automáticamente la garantía de 7 años para los componentes del cuadro principal. La información se conserva en la base de datos de Brompton y no se transfiere a terceros <https://www.brompton.com>.

NÚMEROS DE SERIE Y DE BASTIDOR La etiqueta que se encuentra en la parte posterior del tubo del asiento lleva el número de serie de 10 dígitos. El número de bastidor de 6 dígitos está grabado en el cuadro principal, justo delante del eje del basculante: conviene anotar ambos números. Anote los números en las páginas en blanco incluidas en la parte posterior de este manual.

TÉRMINOS Y CONDICIONES DE LA GARANTÍA DE BROMPTON

Gracias por elegir una bicicleta Brompton. Su bicicleta es el producto del uso por parte de Brompton de ingeniería demostrada, exhaustivas pruebas y un esfuerzo continuado de conseguir lo máximo en cuanto a fiabilidad, seguridad y rendimiento.

Puede mantener la máxima protección bajo estos términos de la garantía asegurándose de revisar su bicicleta de acuerdo con las recomendaciones recogidas en el manual del propietario. Conserve los registros de todas las tareas de mantenimiento realizadas por su distribuidor Brompton y asegúrese de que dichos registros estén a disposición de su distribuidor Brompton, si lo solicita, cuando se realicen trabajos de mantenimiento, reparación o garantía en su bicicleta.

Todas las bicicletas Brompton registradas en la sección de My Brompton están cubiertas por una garantía de 7 años, con kilometraje ilimitado, para los componentes del cuadro principal, a partir de la fecha de venta. Otras piezas de la bicicleta que no se desgastan (bielas, calibres de frenos, guardabarros, etc.) están cubiertas por una garantía de 2 años. Conserve su factura de venta en lugar seguro como referencia futura. Las bicicletas Brompton no registradas en la sección My Brompton de nuestro sitio web están cubiertas por una garantía de 2 años, con kilometraje ilimitado, para los componentes del cuadro principal, a partir de la fecha de venta.

Dentro de estos períodos de garantía, Brompton Bicycle Ltd garantiza que la nueva bicicleta Brompton está libre de defectos en los materiales utilizados en su fabricación y en la mano de obra en el momento de su fabricación.

- Cualquier pieza que se encuentre defectuosa durante este periodo será reparada o reemplazada por un distribuidor Brompton, o por la fábrica, a criterio de Brompton Bicycle Ltd
- Cualquier pieza reemplazada según los términos de la garantía estará cubierta durante el periodo restante de la garantía de la bicicleta
- Las piezas reemplazadas durante la garantía deberán ser devueltas a Brompton Bicycle Ltd por parte del distribuidor y pasarán a ser propiedad de Brompton Bicycle Ltd
- Brompton podrá, a su criterio, realizar reparaciones o sustituciones de las piezas defectuosas fuera del periodo de garantía, pero esto no se considerará admisión de responsabilidad
- Brompton asumirá los gastos de mano de obra por el trabajo llevado a cabo bajo la garantía
- La garantía podrá cederse a los posteriores propietarios por el periodo restante de la misma.

Sigue en la siguiente página

Condiciones y exclusiones:

1. Te recomendamos que hagas una revisión con un mecánico tras las primeras 100 millas de tu Brompton(160 kilómetros) o el primer mes (lo que ocurra primero) ya que determinados elementos de la bicicleta necesitan un tiempo para ajustarse; para evitar daños.
2. Sustituir de rutina: esta sección del Manual del propietario describe los componentes de la bicicleta que es necesario sustituir con el mantenimiento y las revisiones de rutina de la bicicleta. Es necesario seguir estas directrices, en particular teniendo en cuenta el kilometraje que realiza la bicicleta, pues ello afecta al funcionamiento de numerosos componentes, como cables de frenos, cadena, engranajes, etc. El kilometraje y el uso también afectarán a la duración esperada de los componentes de aluminio, que deben sustituirse cada 5000 millas (8000 km) de uso (o antes en caso de uso particularmente duro o pesado) y, en consecuencia, no entran dentro de los términos de la garantía anteriormente detallados.
3. La garantía anteriormente descrita solo es válida dentro del país en el que se adquirió la bicicleta.
4. Las bicicletas exportadas de un país a otro serán atendidas, dentro del periodo de garantía, mediante el envío gratuito de piezas desde la fábrica, en caso necesario. Sin embargo, el distribuidor de Brompton en el nuevo país normalmente cobrará la mano de obra necesaria para llevar a cabo las reparaciones de la garantía, así como por los derechos aduaneros de importación sobre las piezas enviadas gratuitamente.
5. La bicicleta no deberá haber sido usada para competiciones no autorizadas, sometida a mal uso* o mantenida o revisada de forma no adecuada o incorrecta.
6. La bicicleta no debe haber sido sometida a ninguna modificación, reparación o sustitución salvo las autorizadas por Brompton Bicycle Ltd.
7. Las tareas de mantenimiento de la bicicleta deberán haber sido encomendadas a un distribuidor Brompton.
8. Los defectos causados por un ajuste incorrecto, así como por reparaciones o alteraciones llevadas a cabo por un distribuidor Brompton no autorizado, no están cubiertos por esta garantía.
9. Los defectos provocados por el uso de las piezas y accesorios no autorizados por Brompton Bicycle Ltd no están cubiertos por esta garantía.
10. La garantía no cubre el coste de retirada y sustitución de piezas y accesorios, a menos que se suministren como equipo original, o así lo recomiende Brompton Bicycle Ltd.
11. Los componentes que habitualmente se desgastan con un uso normal, como neumáticos, lámparas, cadenas, piñones, pastillas de freno, etc. no estarán cubiertos por la garantía, a menos que haya algún defecto de fábrica en la pieza en cuestión.
12. Otros elementos excluidos de la garantía son el sillín, portabultos, pintura, cromo, elementos de aluminio pulidos o pegatinas, siempre que el deterioro haya sido causado por el desgaste normal, por la exposición o por la falta de un correcto mantenimiento.
13. Toda batería incluida con la bicicleta quedará excluida de la garantía, salvo en caso de goteo en el momento de la entrega.
14. La garantía no cubre las bicicletas usadas con fines comerciales, p. ej., por empleados de mensajería o envíos, etc.
15. La garantía no cubre los defectos que no hayan sido notificados a un distribuidor autorizado en el plazo de diez días desde el descubrimiento del defecto.
16. La bicicleta requerirá unas revisiones más frecuentes si se utiliza en climas o condiciones severos, como entornos marinos o carreteras tratadas con sal; con nieve abundante (por encima de la mitad de la altura del eje); en terrenos arenosos o muy polvorientos. Estos entornos provocarán posiblemente el fallo prematuro de los acabados en el cuadro y en los componentes, y dicho deterioro queda excluido de estos términos de la garantía. Brompton Bicycle Ltd ha tenido gran cuidado en la selección de materiales, y en las técnicas de enchapado y pintura para proporcionar a sus clientes un aspecto cosmético de calidad aliado a la durabilidad. Sin embargo, si la bicicleta se utilizan con frecuencia en condiciones ambientales hostiles, como las indicadas, es esencial que se lave y se seque y que la pérdida de lubricación se reemplace para asegurarse de que la bicicleta permanece en las mejores condiciones. Su distribuidor le proporcionará más información y asesoramiento en caso necesario. En última instancia, el aspecto de la bicicleta dependerá en gran medida del cuidado que reciba.
17. Si fuera necesario realizar una reclamación de garantía, Brompton Bicycle Ltd y sus distribuidores no serán responsables del coste del transporte de la bicicleta hacia o desde el distribuidor Brompton, como tampoco por los gastos incurridos mientras la bicicleta esté fuera de uso, incluidos los costes asociados con pérdida de uso, molestias, tiempo perdido, pérdidas comerciales u otros daños directos o indirectos.

Esta garantía deberá interpretarse de acuerdo con la legislación inglesa y cualquier cuestión que surja con relación a la misma se someterá a la jurisdicción de los tribunales ingleses.

Cualquier declaración, condición, representación, descripción o garantía contenida en cualquier catálogo, anuncio u otra publicación no deberá sobreentenderse como que aumenta, varía o sustituye a la información contenida aquí.

Brompton Bicycle Ltd se reserva el derecho de realizar alteraciones o mejoras, sin notificación, a cualquier modelo o máquina, sin obligación de hacerlo a las bicicletas ya vendidas. Esta garantía no afecta a sus derechos legales.

* El mal uso incluye cualquier uso que no esté de acuerdo con las recomendaciones realizadas en el manual del propietario, así como cualquier uso contrario a las advertencias proporcionadas en dicho manual. Además, el mal uso incluirá, de forma no exhaustiva, cualquier uso de la bicicleta que no constituya uso normal en carretera, pues la Brompton se ha diseñado para su uso en carreteras y vías bien conservadas. No está diseñada para ir campo a través, lo que puede sobretensionar el cuadro, y para lo cual los neumáticos y las ruedas no son adecuados.



BROMPTON BICYCLE LTD
Unit 1 Greenford Park
Ockham Drive
Greenford
Middlesex
UB6 0FD
© Brompton Bicycle Ltd 2020

OM9-2

ISO 4210-2
BICICLETAS PARA CIUDAD Y TREKKING

CPSC 16 CFR 1512



BROMPTON



P Line

Manual do Utilizador

OM9-2

ISO 4210-2
BICICLETAS DE ESTRADA E TREKKING

CPSC 16 CFR 1512

ÍNDICE

INTRODUÇÃO _____	132
SEGURANÇA _____	133
DESDOBRAR _____	134
DOBRAR _____	138
FECHO DE BLOQUEIO _____	141
UTILIZAÇÃO DA BROMPTON P LINE _____	142
MUDANÇAS _____	143
TRAVÕES _____	147
ILUMINAÇÃO _____	147
FECHO DO QUADRO TRASEIRO _____	147
BAGAGEM _____	148
LIMPEZA E LUBRIFICAÇÃO _____	149
AJUSTE DA POSIÇÃO DO SELIM _____	150
MONTAGEM DA MANGA DE AJUSTE DA ALTURA DO SELIM _____	151
AJUSTE DAS MANETES DOS TRAVÕES _____	153
RODA TRASEIRA - REMOÇÃO E MONTAGEM _____	155
SUBSTITUIÇÕES DE ROTINA _____	156
GARANTIA _____	158



INTRODUÇÃO

Antes de utilizar a sua Brompton, leia este manual, especialmente as secções sobre segurança e o processo para dobrar a bicicleta. Embora este manual pretenda servir de orientação, não é um guia exaustivo sobre ciclismo ou manutenção de bicicletas.



Para activar a sua garantia alargada de 7 anos, deve registar a sua bicicleta na secção "My Brompton" na nossa página de Internet, para inscrever os detalhes da(s) sua(s) bicicleta(s); desta forma, se a sua bicicleta for roubada ou se for necessário entrarmos em contacto consigo, poderemos consultar esse registo. Será solicitado que insira os números de série e do quadro: o número de série encontra-se numa placa na parte traseira do quadro principal; o número do quadro está gravado no quadro principal, próximo do descanso inferior. A informação será guardada na base de dados da Brompton e não ficará disponível a terceiros <https://www.brompton.com>

Se efectuar quaisquer afinações ou trabalhos de manutenção, leia em primeiro lugar as relevantes secções deste manual, dado que é relativamente fácil cometer erros que impeçam o processo para dobrar a bicicleta ou que a danifiquem. Este manual contém algumas sugestões e conselhos para a utilização da sua Brompton, mas se subsistirem dúvidas sobre a forma de efectuar a manutenção à sua bicicleta, visite um Agente Brompton autorizado para obter aconselhamento especializado. Para consultar a lista de Agentes, visite a nossa página na Internet: <https://www.brompton.com/Find-a-Store>

Recomendamos que a sua bicicleta seja inspeccionada e reparada regularmente por um Agente Brompton.

Este manual está em conformidade com a norma ISO 4210-2

TRANSPORTE E MONTAGEM DAS RODAS NA BICICLETA DOBRADA

- Os proprietários são responsáveis por avaliarem a forma como utilizam a sua bicicleta e devem garantir sempre a sua segurança e bem-estar durante a utilização, manutenção e transporte da bicicleta.
- A Brompton não aceita a responsabilidade por quaisquer ferimentos provocados ao levantar e manusear uma bicicleta dobrada.
- Uma bicicleta Brompton pesa entre 9 e 14kg, dependendo do equipamento montado.
- A bagagem instalada no bloco dianteiro para bagagem também pode pesar até 10kg.
- Os proprietários devem ter a devida consideração do peso da bicicleta e da bagagem que planeiam segurar ou transportar e determinar se é adequado para as suas capacidades físicas particulares. As circunstâncias também devem ser consideradas, ou seja, as condições da estrada, do percurso, etc., antes de segurar e/ou transportar a bicicleta e a bagagem.
- Os proprietários devem retirar sempre a bagagem da bicicleta dobrada, para não serem submetidos ao peso combinado da bicicleta e da bagagem quando a segurarem ou transportarem.
- Quando não for possível conduzir a sua Brompton, dentro de uma estação de comboio, por exemplo, primeiro deve transportá-la o mais possível, depois dobrá-la e empurrá-la sobre as rodas de trás, antes de a transportar durante a mais curta distância possível.
- É recomendado que a bicicleta dobrada seja transportada com uma mão, sendo mais confortável com o braço estendido e a bicicleta ao seu lado. A bicicleta deve ser sustentada pelo selim ou pelo quadro principal por baixo do selim, conforme o mais adequado.
- Se tiver de transportar a bicicleta durante uma qualquer distância, talvez seja adequado ir trocando de mãos em intervalos adequados, dependendo das suas capacidades físicas.
- O transporte da bicicleta dobrada com as duas mãos apenas é aconselhável para distâncias muito curtas, dado que só é possível fazê-lo segurando a bicicleta ao nível do peito/estômago, para evitar bater com as pernas ou joelhos na bicicleta. Para este transporte é necessário manter os braços com um ângulo aproximado de 90 graus, o que exige um esforço extra para os braços.

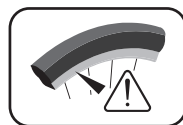
As rodas pequenas normalmente equipadas nos modelos Brompton são úteis para deslocar a bicicleta dobrada em espaços restritos. Utilizando o guiador levantado como pega, a bicicleta dobrada também pode ser deslocada sobre essas rodas, embora apenas funcione para pequenas distâncias em superfícies suaves. Recorde que deve levantar ligeiramente o espigão do selim da posição totalmente descida para não impedir o deslocamento da bicicleta, mas não demasiadamente levantado para desdobrar a bicicleta. A bicicleta dobrada não se destina a ser usada como banco, pelo que não deve sentar-se na bicicleta quando estiver dobrada.

SEGURANÇA

A Brompton destina-se a utilização em estrada e outros percursos em boas condições, com uma carga que não exceda os 110kg (incluindo o peso do ciclista e da bagagem). A Brompton não se destina a realizar acrobacias, circuitos de corta-mato ou desportos radicais. A sua Brompton deve ser utilizada para os efeitos para os quais foi concebida. A utilização incorrecta pode originar a falha de alguns dos seus componentes e invalidar a garantia Brompton. Não recomendamos a montagem de qualquer cadeira de criança ou reboque na sua Brompton. Ao fazê-lo irá invalidar a garantia Brompton.

Antes de utilizar a sua Brompton pela primeira vez e periodicamente depois disso, dê especial atenção ao seguinte:

- Recomendamos a utilização de um capacete de ciclismo aprovado, inclusive em países onde a sua utilização não é obrigatória.
- Leia e cumpra os requisitos legais nacionais do país onde utilizar a bicicleta e cumpra todas as leis de trânsito aplicáveis.
- Certifique-se de que os aros das rodas estão limpos e em bom estado, tal como a superfície de travagem e verifique a ocorrência de desgaste excessivo dos aros. Se suspeitar da segurança dos aros, recorra a uma verificação por um agente Brompton autorizado.
- Verifique regularmente os travões, os pneus e a direcção
- Mantenha os travões e as mudanças devidamente afinados e os respectivos cabos em boas condições.
- Em condições de chuva, os travões podem ser menos eficazes e as estradas mais escorregadias, pelo que deve travar mais cedo.
- Verifique se os parafusos das rodas estão devidamente apertados (consulte a tabela do torque de aperto na página 141).
- Em Portugal, a manete de travão esquerda acciona o travão da frente e a direita, o travão traseiro, mas a posição é variável conforme o país.
- Quando circular à noite, use vestuário reflector e ligue a iluminação (à frente e na retaguarda); verifique se as suas luzes cumprem a legislação local.



Antes ou depois de cada utilização, preste uma especial atenção ao seguinte:

- Certifique-se de que o grampo de desaperto rápido do espigão do selim está devidamente apertado e de que o selim está à altura correcta.
- Os parafusos de aperto estão na devida posição, apertados com firmeza mas não excessivamente.
- Durante o processo de dobrar e desdobrar, bem como durante o uso e manutenção, evite colocar as suas mãos em qualquer local onde possam ficar presas.
- Certifique-se de que executa correctamente o processo de dobrar e desdobrar para evitar possíveis ferimentos.

AVISO

Muitos componentes numa bicicleta estão sujeitos a um grande esforço e com o uso intensivo, cargas pesadas ou percursos duros, podem eventualmente atingir o final da vida útil prevista; em particular, a liga de alumínio tem uma vida útil de fadiga limitada. A utilização descuidada pode provocar ferimentos. Deve verificar em todas as peças sujeitas a carga, sinais de danos, corrosão ou fissuras e substituí-las, se necessário. Se tiver dúvidas deve visitar um Agente Brompton autorizado para obter aconselhamento especializado.

A bicicleta não deve ser submetida a qualquer modificação, reparação ou substituição realizada por pessoas não autorizadas pela Brompton Bicycle Ltd. A bicicleta deve ser inspecionada por um Agente Brompton autorizado.

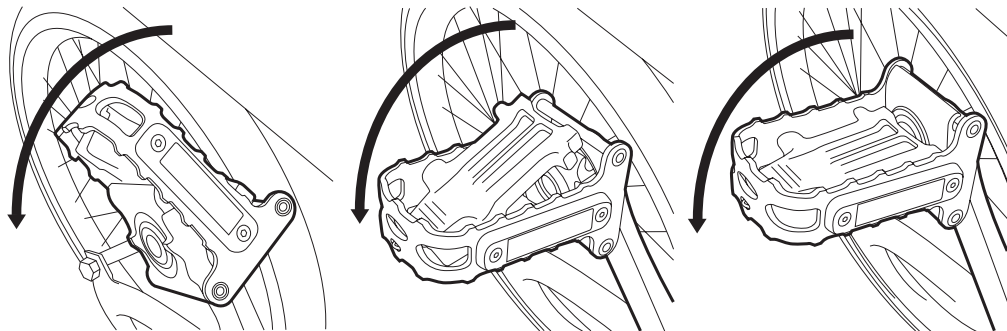
Se a bicicleta tiver sido sujeita a um acidente ou impacto, deve interromper a utilização da mesma imediatamente e submetê-la a uma inspecção por parte de um Agente Brompton. Os componentes danificados devem ser substituídos antes da bicicleta poder ser utilizada novamente. Qualquer risco profundo ou amassadela nas peças de alumínio pode enfraquecer o componente seriamente e provocar uma falha prematura da peça.

Nota: Recomendamos a utilização de peças de substituição Brompton genuínas para todos os componentes importantes para a segurança.

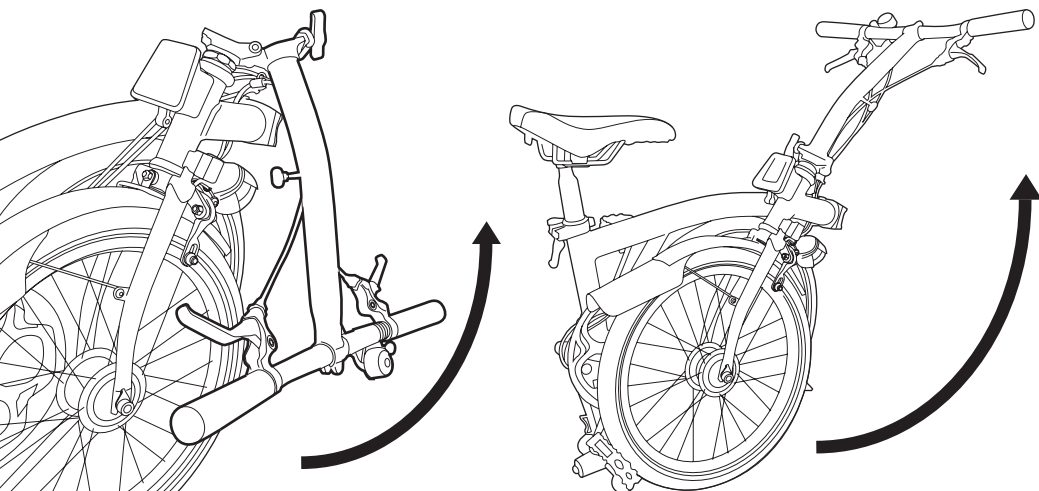
DESDOBRAR A BICICLETA

Demore algum tempo a observar a bicicleta dobrada; vai ser útil quando for necessário dobrá-la novamente.

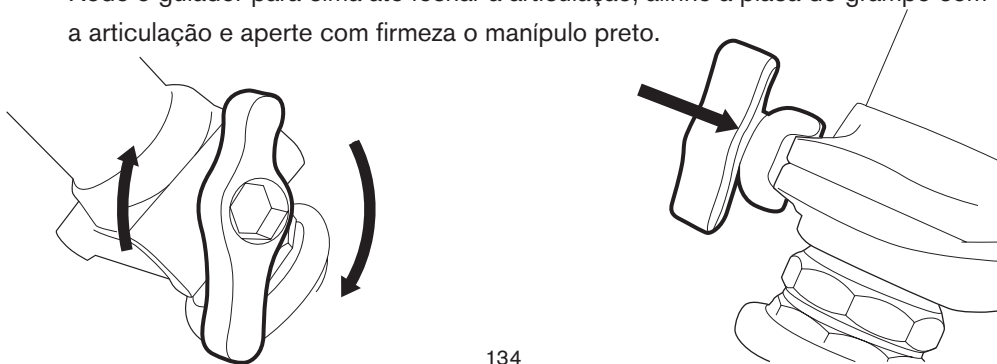
Mantenha-se à esquerda da bicicleta. Desdobre o pedal do lado esquerdo, puxando a estrutura dentada de metal para si. Quando efectuar este movimento, observe como funciona o batente preto, dado que vai ser útil quando dobrar.



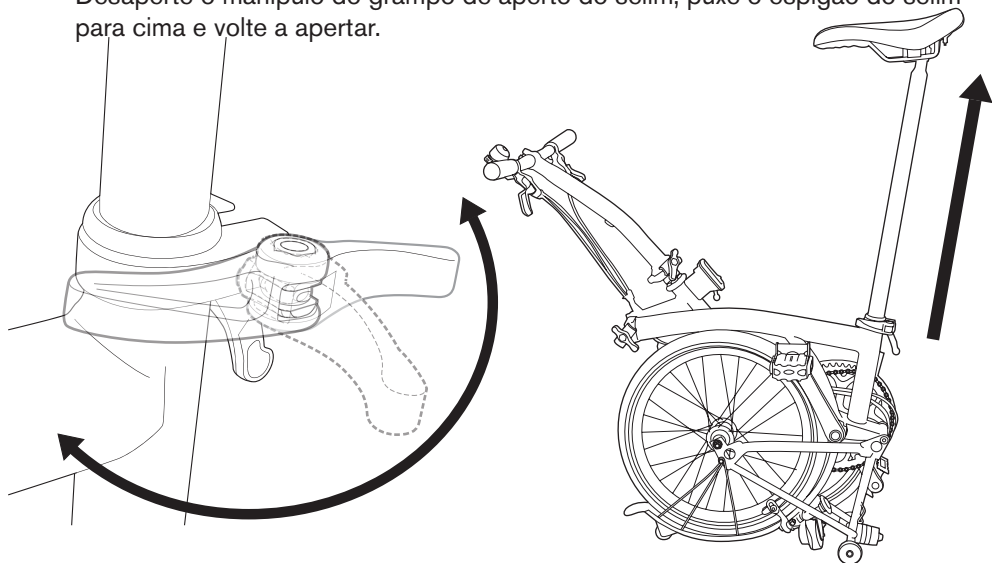
- Para libertar o guiador, pressione com firmeza para baixo, na extremidade do punho mais próximo de si, com a palma da sua mão esquerda.



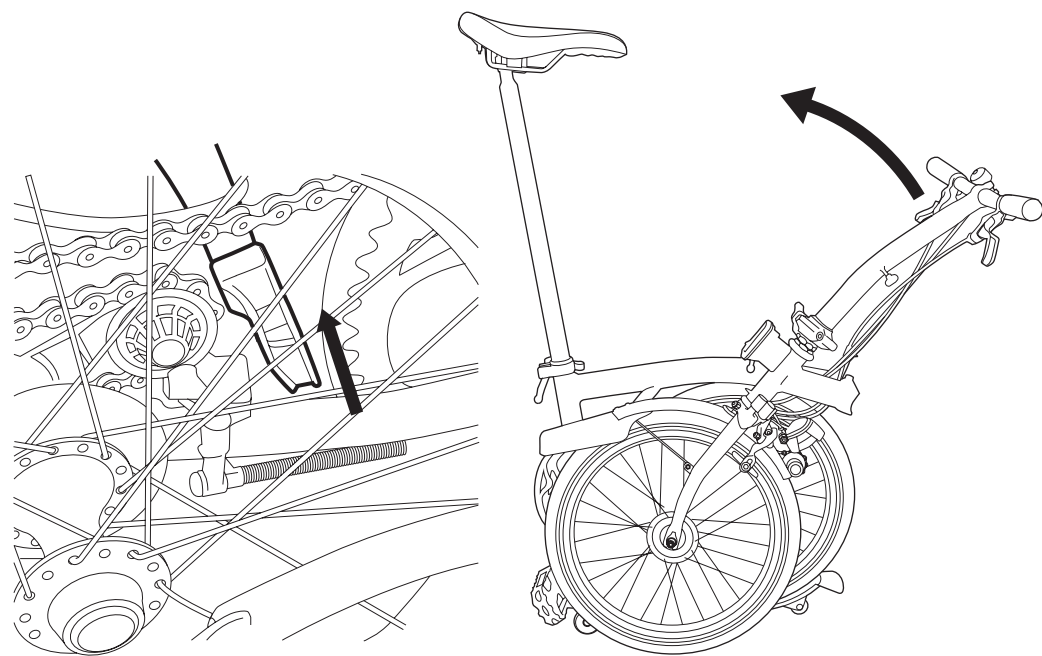
- Rode o guiador para cima até fechar a articulação, alinhe a placa do grampo com a articulação e aperte com firmeza o manípulo preto.



- Desaperte o manípulo do grampo de aperto do selim, puxe o espigão do selim para cima e volte a apertar.



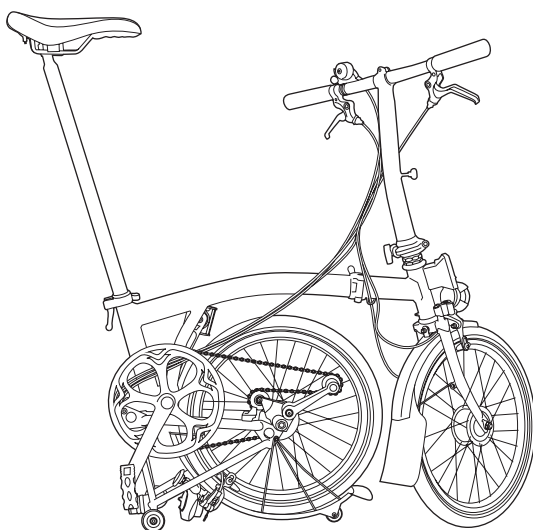
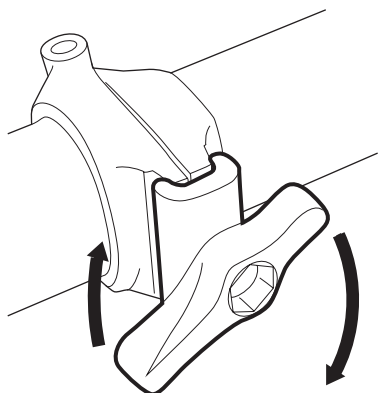
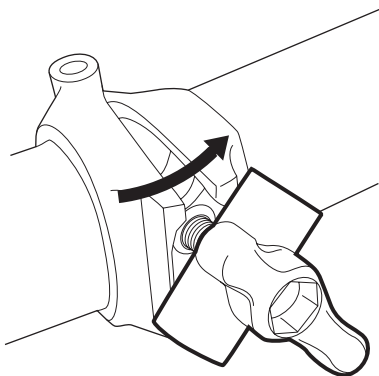
- Coloque a sua mão direita no selim e segure o avanço do guidador com a mão esquerda, junto à articulação.
- Olhe para baixo, onde a corrente funciona entre as duas rodas, e observe o gancho preto que prende a roda dianteira ao resto da bicicleta.
- Levante o guidador com a sua mão esquerda, para levantar o gancho acima do tubo onde está pousado.



- Rode a sua mão esquerda na direcção oposta a si, formando um arco, para afastar a forqueta e a roda dianteira de si. Empurre até fechar a articulação no quadro principal.
- Quando efectuar esta operação, não torça o seu pulso. Certifique-se de que mantém a roda dianteira virada na mesma direcção, o gancho deve ficar do seu lado da bicicleta e a roda dianteira virada para a frente numa inclinação ligeira (não paralela com a roda de trás).

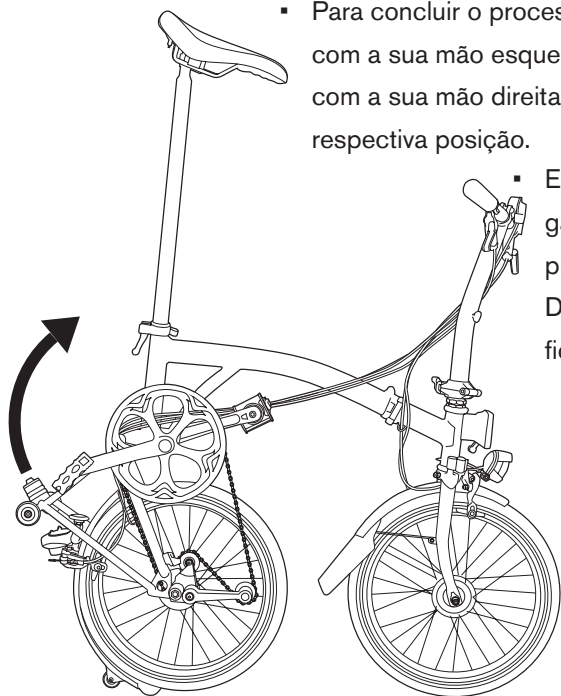


- A articulação no quadro principal deve estar fechada.
- Alinhe a placa do grampo de aperto e aperte com firmeza o manípulo preto.

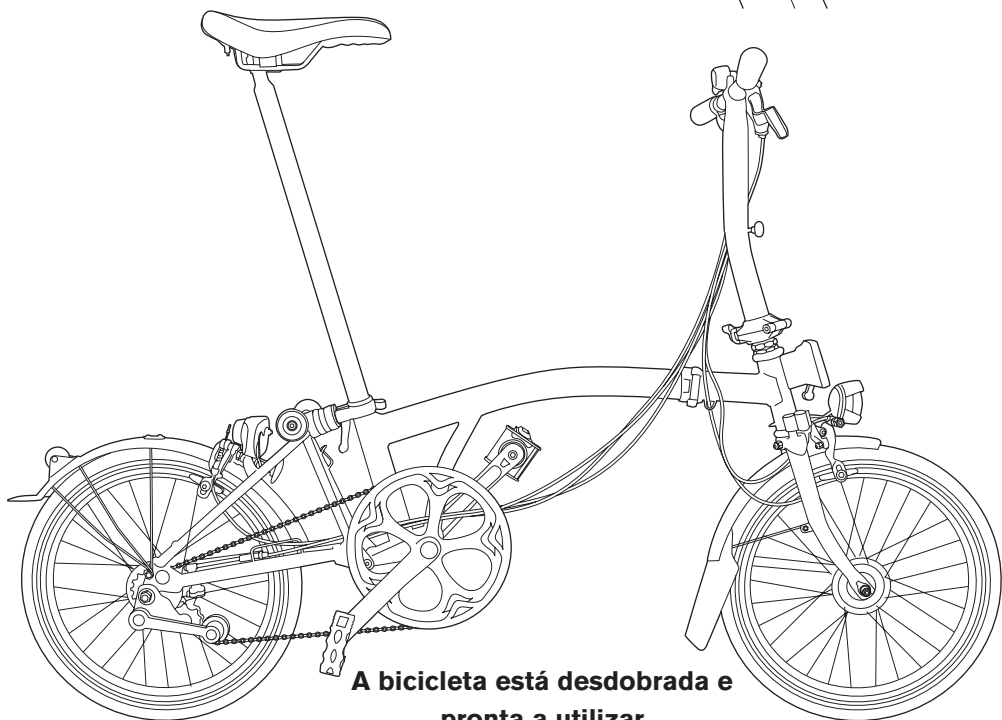
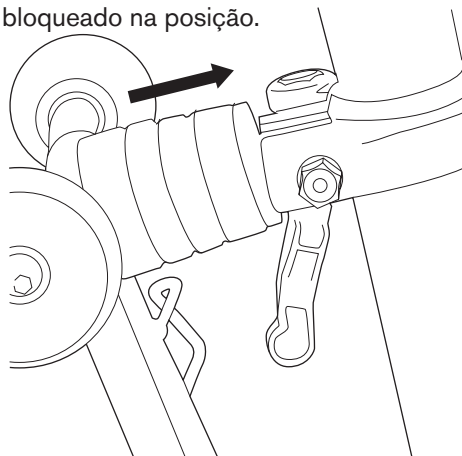


A bicicleta fica na posição de "estacionamento" - segura-se sozinha.

- Para concluir o processo de desdobrar, segure o guidador com a sua mão esquerda, levante a bicicleta rapidamente com a sua mão direita e dobre a roda de trás para a respectiva posição.



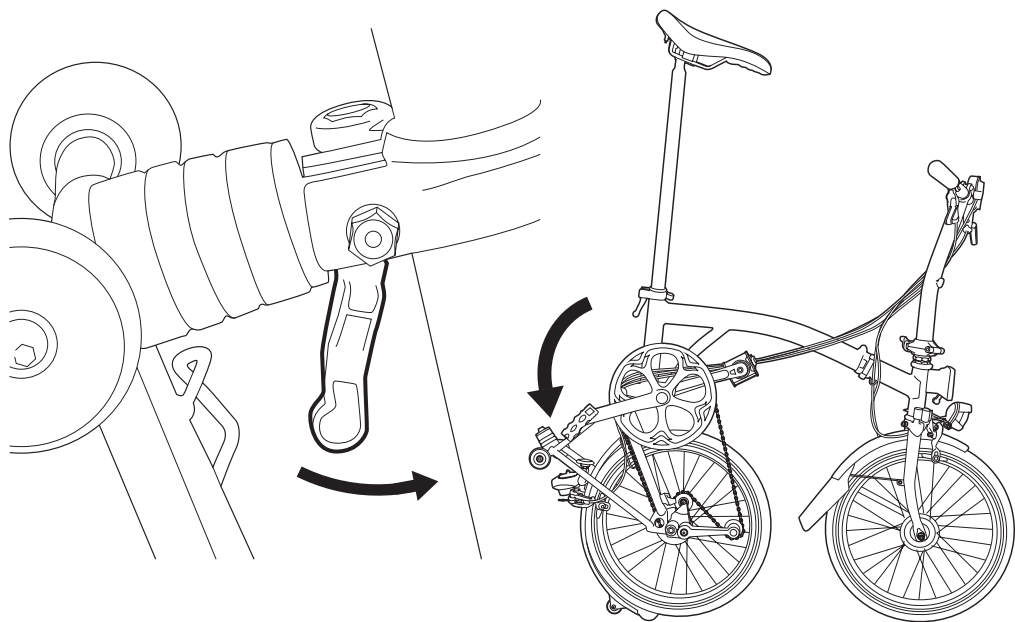
- Empurre o selim para baixo, para garantir que bloco da suspensão o pressiona contra o quadro principal. Deve escutar-se um clique quando fica bloqueado na posição.



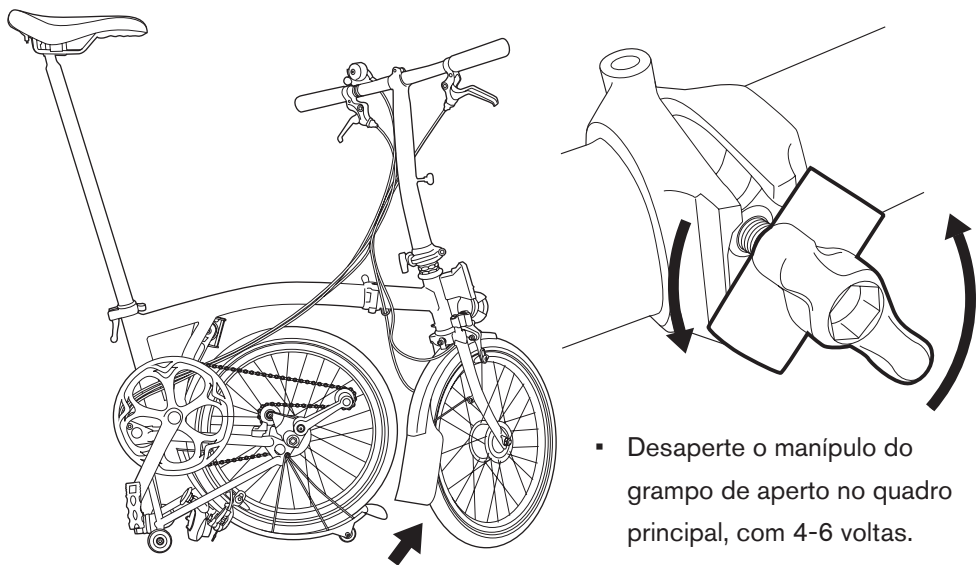
A bicicleta está desdobrada e pronta a utilizar

DOBRAR A BICICLETA

- Rode o guidador ligeiramente para a esquerda para não ficar paralelo com a roda de trás e rode a pedaleira até o pedal do lado direito ficar virado para trás.

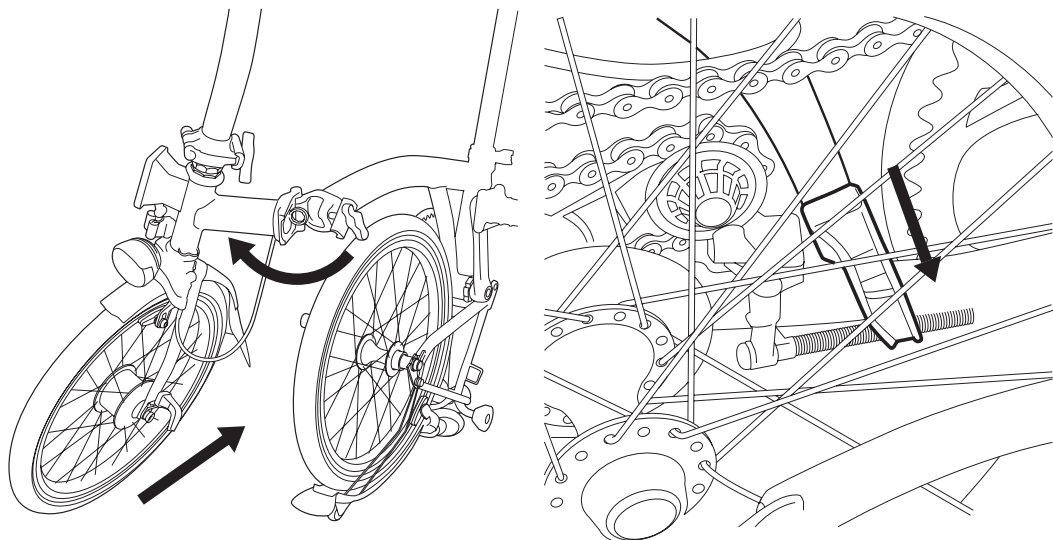


- Existe um pequeno manípulo preto atrás e por baixo do aperto do selim. Empurre-o para a frente, depois levante a parte traseira da bicicleta rapidamente, para que a roda traseira dobre para baixo do quadro e depois pouse a bicicleta para ficar na posição de "estacionamento".

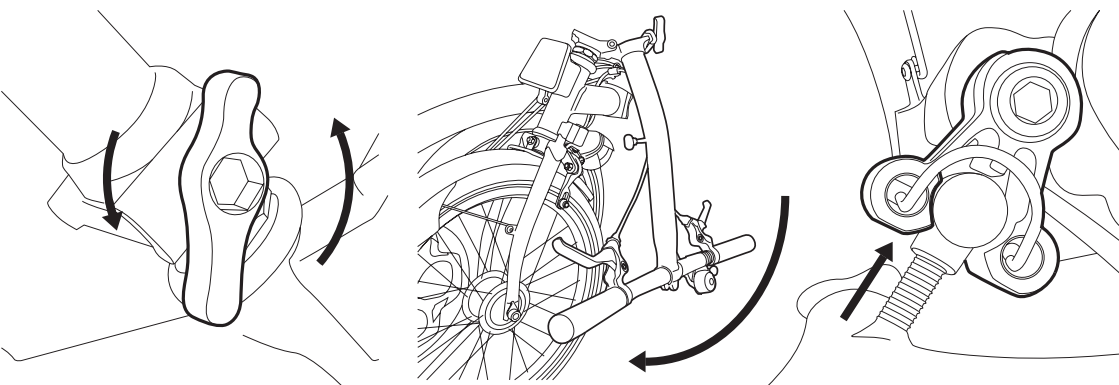


- Desaperte o manípulo do grampo de aperto no quadro principal, com 4-6 voltas.

- Com a sua mão esquerda, segure o avanço do guiador acima do bocal plástico e empurre a roda em frente e para a direita.

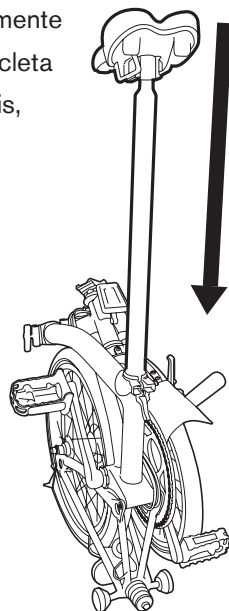
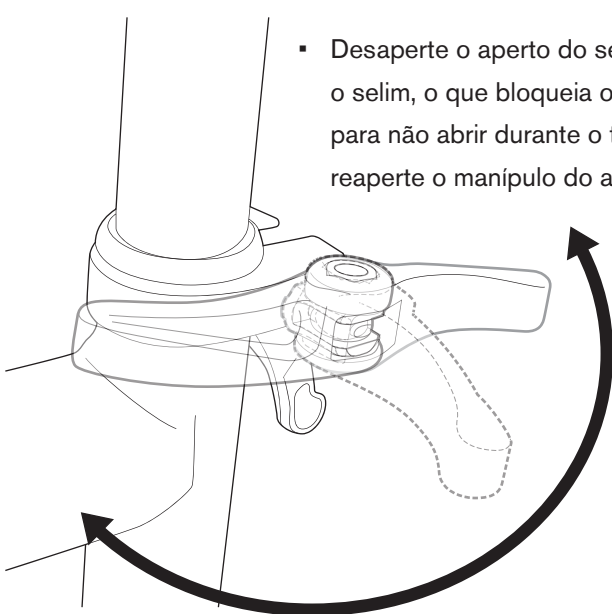


- Vire o avanço num movimento da direcção no sentido dos ponteiros do relógio, não torcendo o pulso e mantendo o gancho virado para si, até que a roda dianteira fique ao lado da traseira. Pode ser necessário levantar um pouco a frente da bicicleta.
- Baixe o gancho preto sobre o quadro traseiro, por baixo da secção superior da corrente.

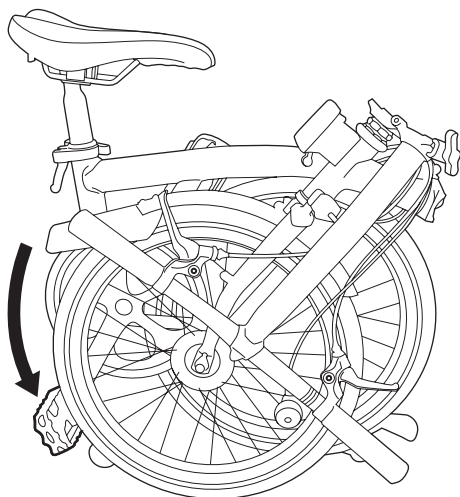


- Desaperte o manipulador do grampo de aperto, no avanço do guiador, com 4-6 voltas e deixe cair o avanço do guiador. O bocal plástico no avanço do guiador encaixa no fecho montado no topo da forqueta, segurando-o com firmeza na bicicleta.

- Desaperte o aperto do selim e baixe totalmente o selim, o que bloqueia o conjunto da bicicleta para não abrir durante o transporte. Depois, reaperte o manípulo do aperto do selim.



- Coloque o pedal esquerdo para cima e o pedal direito deverá ficar recolhido por baixo da roda dianteira.
- Dobre o pedal esquerdo, empurrando suficientemente a placa preta central para cima até passar sobre a extremidade do braço da pedaleira e ficar numa posição vertical.
- Se não for possível levantar a placa, rode o pedal e tente novamente.



A bicicleta já está dobrada e pronta para ser transportada. Os selins da Brompton dispõem de um acessório personalizado para agarrar, sob a "ponta" do selim.

O pedal do lado esquerdo não deve ser dobrado quando rodar a pedaleira, dado que pode capturar peças do quadro traseiro e provocar danos na sua bicicleta.

FECHO DE BLOQUEIO

AJUSTE

Quando recolhe a bicicleta dobrada, a bicicleta não pode desdobrar-se porque o fecho de bloqueio LB entra em contacto com o espigão do selim SP para impedir o movimento do quadro traseiro. O LB pode ser ajustado para garantir a folga correcta entre si e o SP. Se a folga for demasiado pequena, o tubo ficará preso ao dobrar a bicicleta e se for demasiado grande, a bicicleta dobrada pode desdobrar-se parcialmente ao ser recolhida.

É mais fácil fazer ajustes no LB com a bicicleta totalmente dobrada e o espigão do selim levantado. Quando o espigão de selim estiver levantado, certifique-se de que está bloqueado na devida posição com o grampo de aperto do selim.

Para reduzir a folga entre o LB e o SP (fig. 1), com uma chave hexagonal de 4mm, desaperte o parafuso de cabeça de caixa dentro do LB, meia volta de cada vez, e depois baixe o espigão de selim para verificar se tem espaço livre. Se a folga ainda for demasiado grande, desaperte outra meia volta e verifique novamente o espigão do selim. Repita este processo até garantir a dimensão correcta da folga.

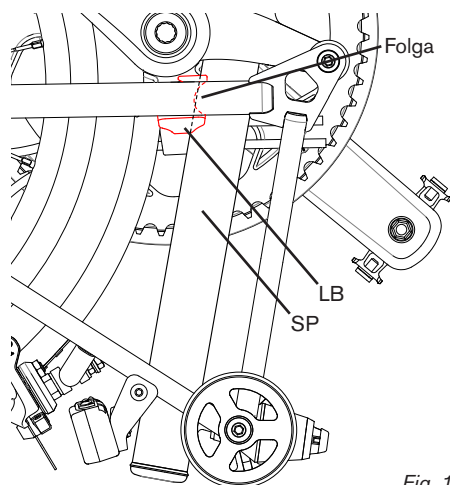


Fig. 1

EMPURRAR/REBOCAR A BICICLETA ENQUANTO ESTIVER DOBRADA

A bicicleta pode ser empurrada/rebocada enquanto estiver dobrada, como alternativa ao seu levantamento e transporte. Na posição dobrada, levantar o selim até que a parte inferior do espigão do selim entre em contacto com o fecho de bloqueio (fig. 2). Dado que o fecho de bloqueio ainda contacta com o espigão do selim, a bicicleta permanece bloqueada na posição dobrável, mas com o selim ligeiramente levantado. O selim levantado pode ser usado como pega para empurrar/rebocar a bicicleta.

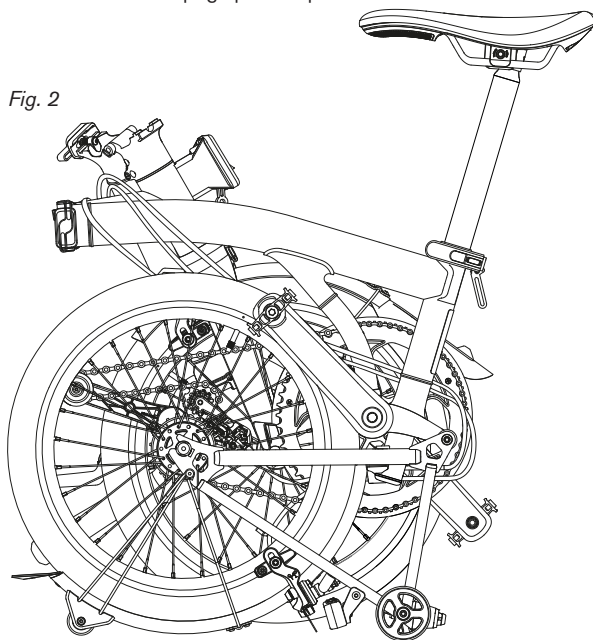


Fig. 2

UTILIZAÇÃO DA BROMPTON

PRESSÃO DOS PNEUS

A pressão dos pneus é importante para o conforto e segurança. Tenha em atenção as seguintes sugestões para garantir uma viagem confortável e em segurança.

É importante conservar os pneus bem insuflados; os pneus pouco insuflados aumentam o esforço de pedalar (o que retira o prazer da viagem), provocam um desgaste rápido, um efeito adverso na condução e são mais susceptíveis de sofrer furos. **Recomendamos vivamente que conserve os seus pneus bem insuflados.**

A pressão mais adequada depende do seu peso e da sua preferência. Também é importante lembrar que um pneu muito duro nem sempre é mais rápido. Um pneu duro pode ser mais rápido em pista, mas em pisos ásperos e irregulares uma pressão mais baixa permite desviar mais facilmente e, assim, rolar mais rapidamente e tornar a viagem mais confortável. De modo geral, é recomendada uma pressão ligeiramente mais baixa na roda dianteira e ligeiramente maior na parte de trás, o que se reflecte em diferentes distribuições de peso entre os dois pneus.

As bicicletas Brompton estão equipadas com válvulas Schrader, o que permite a aplicação de vários métodos para insuflar. A bomba Brompton está instalada no quadro traseiro dos modelos em aço da Brompton com guarda-lamas. Quando recolocar a bomba na bicicleta, certifique-se de que fica perfeitamente encaixada nos respectivos suportes no quadro traseiro. Também pode utilizar uma bomba normal de pé ou manual ou uma mangueira de ar nas estações de serviço/abastecimento de combustível.

A tabela seguinte indica as pressões dos pneus recomendadas para os pneus fornecidos nas bicicletas Brompton P Line.

	MARATHON RACER		SCHWALBE ONE		CONTINENTAL CONTACT URBAN	
	Mín. (PSI)	Máx. (PSI)	Mín. (PSI)	Máx. (PSI)	Mín. (PSI)	Máx. (PSI)
Frente	65	110	65	100	65	116
Trás	65	110	65	100	65	116

VALORES DE TORQUE

Para os principais componentes, apresenta-se aqui uma lista de valores de torque.

Estes componentes devem ser verificados periodicamente, bem como na manutenção de rotina e nas reparações da bicicleta.

Se os componentes não estiverem apertados com o torque correcto, podem ocorrer danos ou falhas nas peças. Isso poderá causar a perda de controlo da bicicleta e resultar numa queda ou acidente.

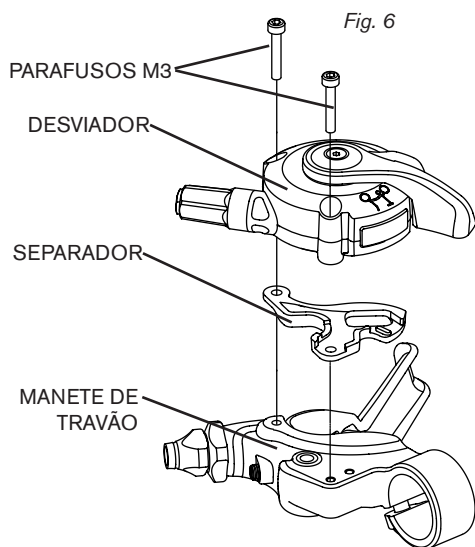
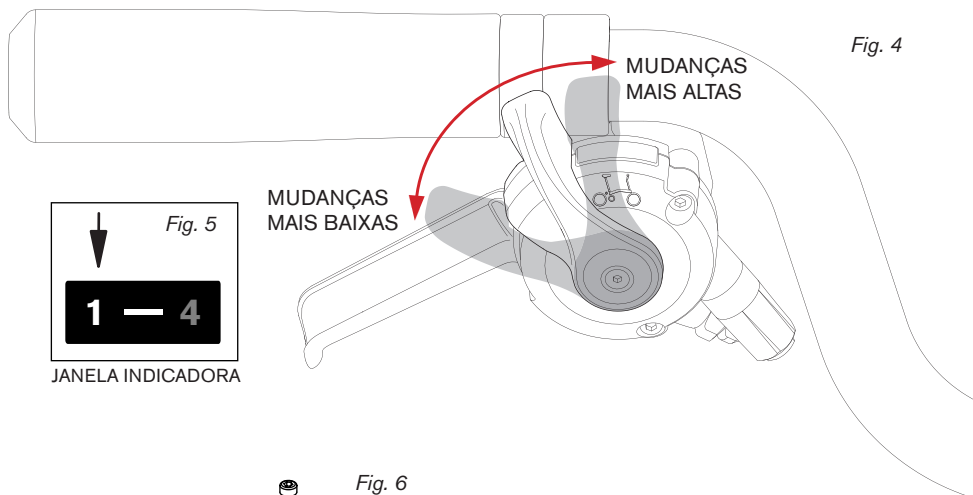
*Nunca tente alterar a altura do avanço do guiador onde entra na forqueta dianteira - deve ser totalmente inserido na forqueta até parar. Se ajustar o alinhamento do guiador com a roda dianteira, certifique-se de que o parafuso de fixação fica correctamente apertado antes de usar a bicicleta.

Se o avanço do guiador não ficar totalmente inserido ou não ficar correctamente apertado, pode causar movimento ou falha da peça em utilização.

Nome do componente	Torque (Nm)
Fixação da roda dianteira	7
Fixação da roda traseira	7
Parafusos das manetes de travões	2
Porca de suporte do esticador da corrente	5
Parafusos da roda dentada da pedaleira	10
Parafusos da pedaleira	30
Eixo da roda dianteira para rodas do Dinamo/superleve	8
Parafusos de fixação do bloco dianteiro para bagagem	4,5
Parafuso de fixação do gancho da roda dianteira	3,5
Parafuso do extensor de suporte do guiador*	30
Parafuso do clipe do trinco do guiador	9
Parafuso de aperto no guiador	18
Porca do calibrador do travão	8
Parafuso do grampo do cabo (calibrador) do travão	8
Pedais	30
Pentaclip	10
Fixações do suporte do guarda-lamas	2
Parafuso da articulação traseira	10
Parafusos de montagem do sistema desviador	2

SISTEMA DE MUDANÇAS DE 4 VELOCIDADES DA BROMPTON

O desviador de 4 velocidades usa uma manete de retorno automático para alternar entre as quatro mudanças. Pressionando para baixo com o seu polegar troca para uma mudança mais leve e, se pressionar a manete para cima, troca para uma mudança mais pesada (fig. 4). É aconselhável que cada mudança seja realizada enquanto pedala, para um movimento mais suave ou para evitar danos nos componentes relacionados. Na janela indicadora é fornecida a informação de qual a engrenagem seleccionada (fig. 4, 5).



MONTAGEM DO DESVIADOR

O desviador é instalado directamente na manete do travão do lado esquerdo e é fixado na posição por dois parafusos M3. Devem ser submetidos a um aperto de **0.6Nm**. Não aperte os parafusos em demasia, dado que pode reduzir o desempenho do desviador e danificar as peças.

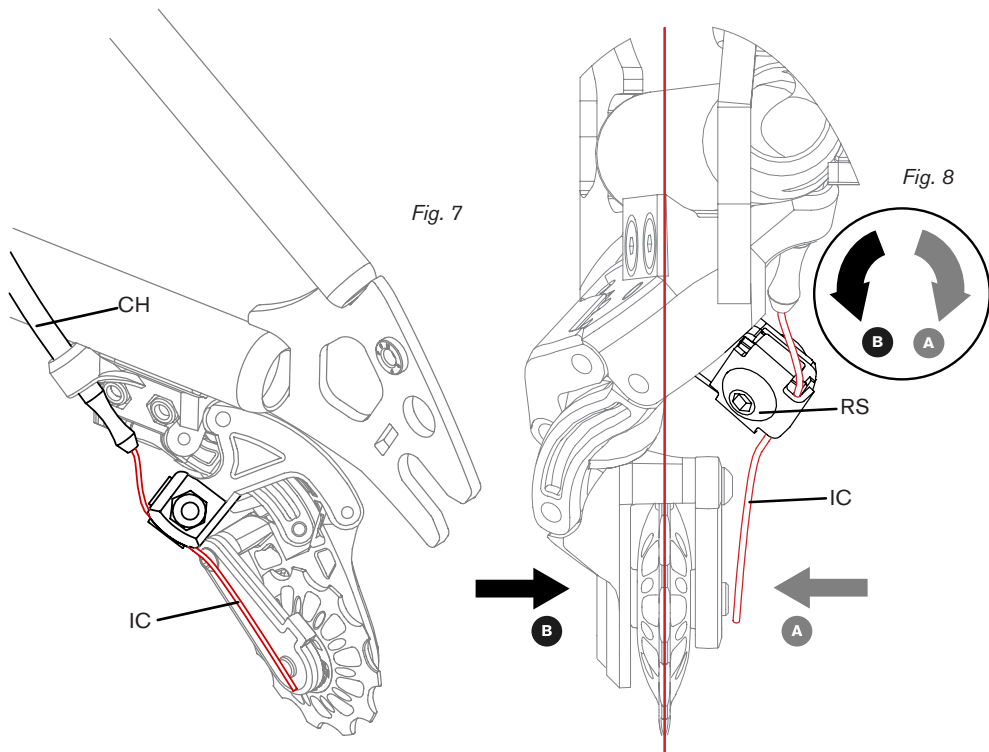
Como padrão, é instalado um separador (fig. 6) entre o desviador e a manete de travão. O separador é crucial para garantir um espaço entre a manete do desviador e o punho.

MANUTENÇÃO

É fundamental que os principais componentes operacionais como a corrente, a cassette e o sistema desviador sejam mantidos limpos e lubrificados. Se estes componentes forem mantidos devidamente limpos, o seu tempo de vida útil será prolongado e funcionarão melhor. Se ocorrer acumulação de massa lubrificante e sujidade na transmissão, o sistema de mudanças pode não funcionar correctamente.

AJUSTE

Se o sistema de mudanças ficar mais ruidoso do que o normal ou se as mudanças começarem a saltar e isso não for devido a sujidade e ferrugem nas peças, pode ser devido ao alongamento do cabo. Esta situação é especialmente comum em bicicletas novas ou nos casos onde foram instalados novos cabos. Para o resolver, deve ser aumentada a tensão no cabo. **Consulte, a seguir, as instruções para a tensão do cabo.** Se o sistema desviador não estiver devidamente alinhado também pode causar o mesmo problema, embora isto normalmente afecte a mudança mais alta e a mais baixa. Nesse caso, será necessário ajustar os dois parafusos limitadores LS no exterior do sistema desviador. **Consulte, a seguir, as instruções para os parafusos limitadores.**



TENSÃO DO CABO

Para aumentar a tensão perdida devido ao alongamento do cabo, coloque a bicicleta num suporte. Desaperte o esticador cilíndrico (fig. 10) um quarto de volta de cada vez, sempre que pedala a bicicleta e enquanto escuta a redução do ruído. Também pode ser executada uma verificação visual para garantir que a roda jockey no sistema desviador fica alinhada com a roda dentada seleccionada na cassete. Se a bicicleta não atingir a roda dentada maior, significa que foi aplicada demasiada tensão, pelo que deve apertar o esticador cilíndrico para dentro para resolver este problema (fig. 10). Se isto não resolver o problema original, mude para a roda dentada mais pequena na cassete, depois solte o parafuso que mantém o cabo na devida posição no interior do sistema desviador (fig. 7, 8). Utilize um alicate pequeno para puxar a extremidade interna do cabo IC para aumentar a tensão do cabo e depois aperte o parafuso RS (fig. 8).

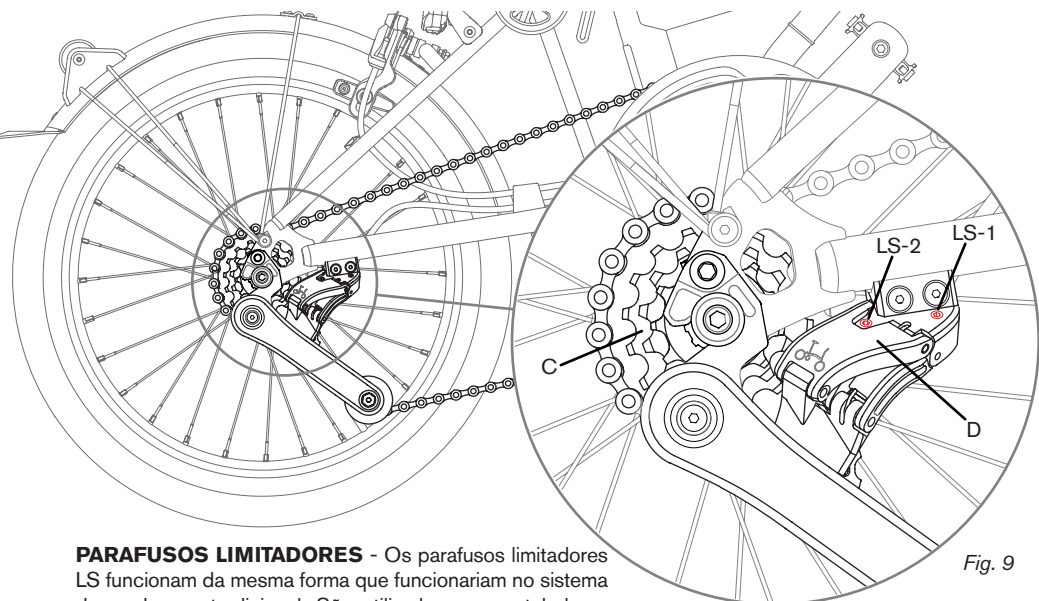


Fig. 9

PARAFUSOS LIMITADORES - Os parafusos limitadores LS funcionam da mesma forma que funcionariam no sistema de mudanças tradicional. São utilizados para estabelecer os limites da medida em que o sistema desviador pode transportar a corrente, para dentro e para fora. Se existir um qualquer problema em engrenar a mudança mais alta ou mais baixa, pode ser necessário ajustar o parafuso limitador.

LS-1 é utilizado para criar o alinhamento na roda dentada maior da cassete. **LS-2** para a mais pequena (fig. 8).

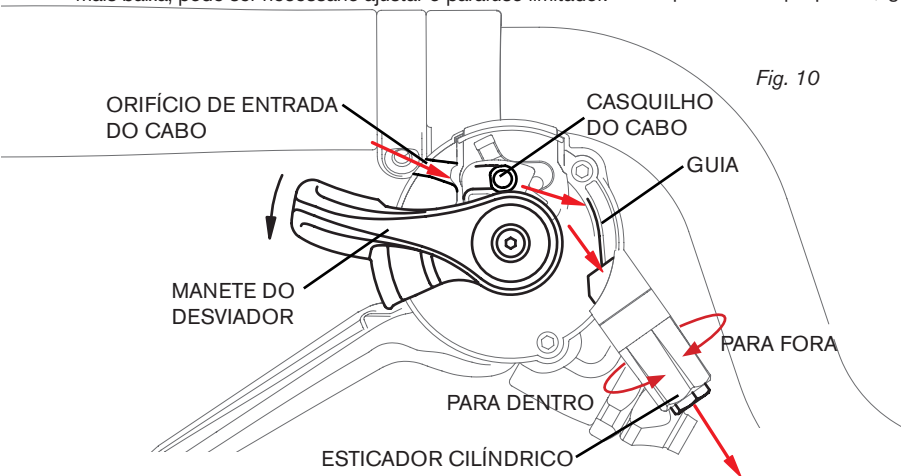


Fig. 10

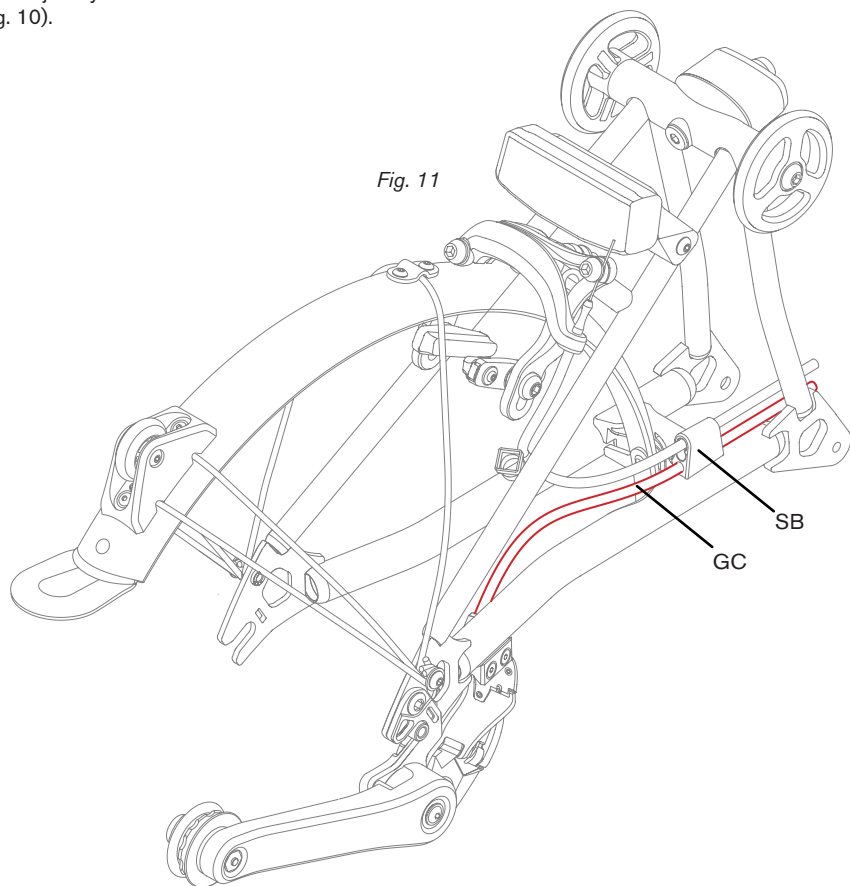
MONTAGEM DE UM NOVO CABO

- Aperte o esticador cilíndrico totalmente para a direita, no sentido horário, para a sua posição mais curta e depois desaperte 2 voltas.
- Selecione a mudança mais baixa (1) e pressione a manete do desviador para baixo, para não obstruir o orifício de entrada do cabo.
- Insira o cabo das mudanças no desviador, numa direcção ligeiramente descendente e através do casquilho do cabo.
- Se encontrar resistência a empurrar o cabo através do casquilho, puxe o cabo um pouco para trás e tente novamente.
- Quando sentir que o cabo passa pelo casquilho, continue a inserir até sentir uma ligeira resistência.
- Continue a inserir para que siga pelo guia no interior do desviador e saia pelo esticador cilíndrico.

NÃO FORCE O CABO PARA NÃO DANIFICAR O DESVIADOR

AFINAÇÃO DAS MUDANÇAS

- Insira o cabo interior IC no respectivo invólucro CH.
- Passe totalmente o cabo até sair pela extremidade do invólucro.
- Encaminhe o cabo ao longo do quadro da bicicleta seguindo os mesmos caminhos dos cabos existentes. Isto é essencial para dobrar.
- Quando o cabo chegar ao quadro traseiro, encaminhe o cabo através do bloco de paragem (fig. 11).
- Com um alicate de pontas ou uma ferramenta similar, puxe o cabo pelo invólucro e insira-o no sistema desviador.
- Aperte o parafuso que mantém o cabo na devida posição no interior do sistema desviador (fig. 8).
- Use o esticador cilíndrico no desviador para afinar a tensão do cabo, conforme for necessário (fig. 10).
- Ao desapertar o esticador, aplica mais tensão no cabo e melhora a engrenagem para uma mudança inferior (fig. 10).
- Ao apertar o esticador para dentro, reduz a tensão e melhora a engrenagem para uma mudança superior.
- A roda jockey no sistema desviador deve estar alinhada com a roda dentada seleccionada na cassette (fig. 10).



TRAVÕES

Os travões devem ser afinados regularmente, dado serem um componente importante para a sua segurança. O tempo entre as afinações é variável, dependendo da frequência com que utiliza a sua Brompton; se a manete do travão tocar o guiador quando a aperta, significa que os seus travões necessitam ser afinados urgentemente. Os travões devem ser posicionados com os calços de travão o mais próximo possível do aro, sem interferir com o movimento de rotação das rodas. A afinação é efectuada utilizando o cerra cabos roscado na manete do travão. Se não tiver a certeza sobre como proceder, procure a assistência para afinação por um agente Brompton ou um técnico qualificado.

- Para ajustar o travão traseiro, a bicicleta deve estar desdobrada.
- Quando ajustar o travão da frente e posicionar os calços certifique-se de que os mesmos não tocam no aro quando vira a roda para a esquerda ou direita.
- Substitua os calços de travão se as ranhuras na respectiva superfície forem inferiores a 1 mm de profundidade.

A manutenção e a limpeza dos aros e dos calços de travão, não só melhoram a eficácia da travagem, como aumentam a vida útil destes componentes. Os resíduos pretos que se acumulam nos aros são uma mistura de sujidade, de material dos calços e de pó de alumínio proveniente da superfície de travagem do aro; estes resíduos são abrasivos e aceleram o desgaste dos aros e dos calços. Durante a limpeza dos aros e dos calços, certifique-se de que não estão desgastados, caso contrário, proceda imediatamente à respectiva substituição.

ILUMINAÇÃO

Estão disponíveis duas opções de iluminação nas bicicletas Brompton: um ponto de luz à frente e outro atrás, a pilhas, e um dínamo de cubo que produz electricidade enquanto pedala. Estes conjuntos de iluminação Brompton podem ser aplicados em qualquer modelo de bicicleta. Utilize estas luzes em conformidade com a legislação local. Para obter informações técnicas relacionadas com o funcionamento das lâmpadas a pilhas e do dínamo, consulte a secção técnica na nossa página na Internet <https://www.brompton.com>

FECHO DO QUADRO TRASEIRO

Para soltar o quadro traseiro, empurre o manípulo pequeno (fig. 12) para a frente e levante a bicicleta, para que o bloco da suspensão se afaste do trinco e a roda traseira dobre para debaixo do quadro. Desça a bicicleta para a posição de estacionamento.

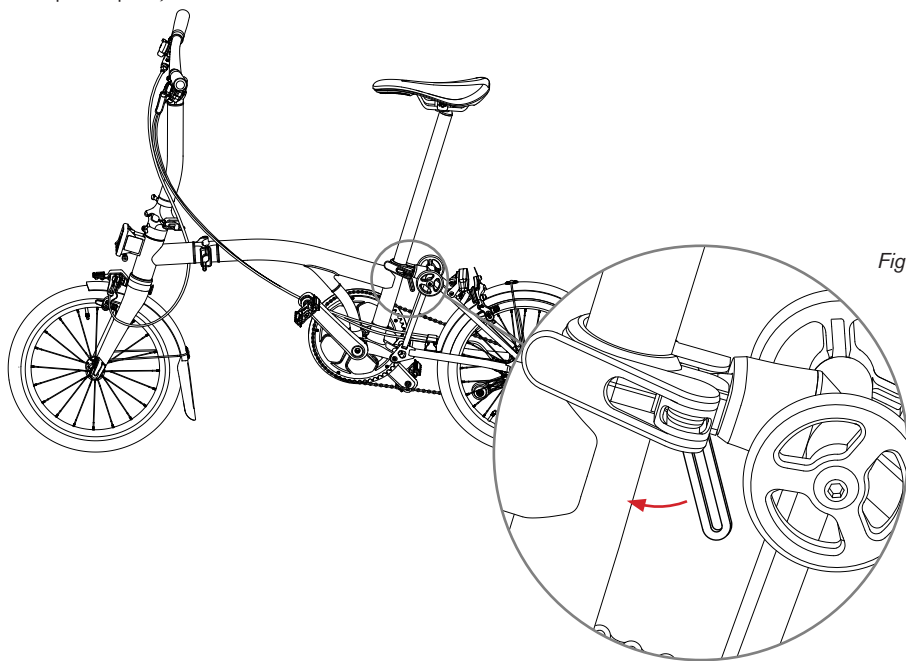


Fig. 12

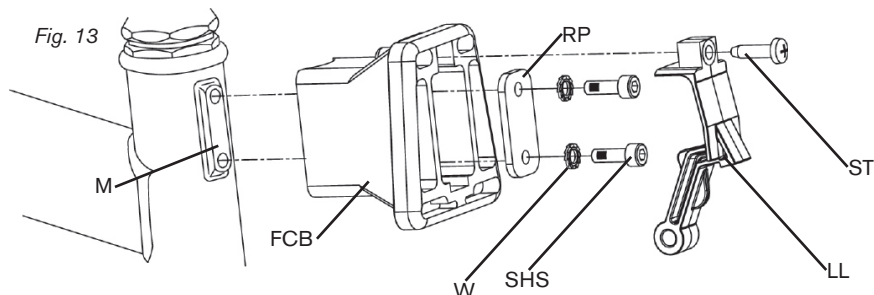
BAGAGEM

A Brompton possui um conjunto de acessórios de bagagem que pode montar na sua bicicleta Brompton. Permitem cargas de até 10kg na frente e 10kg no suporte traseiro. Preste a devida atenção às instruções que acompanham a bagagem, antes de utilizar. A utilização incorrecta da bagagem pode interferir com a direcção e pode ser perigoso.

Nota: Todos os suportes à frente para bagagem da Brompton são adequados para os modelos M, H e P Type da Brompton, mas a Mala T, a Mala C e o Cesto dobrável não são adequados para utilizar no S Type da Brompton.

BLOCO DIANTEIRO PARA BAGAGEM

- Verifique se tem todas as peças indicadas no diagrama (fig. 13).
- Ao montar pela primeira vez, remova os dois parafusos de fixação no bloco M soldado; as bicicletas mais antigas usam um parafuso de nylon preto com ranhura, enquanto que as bicicletas mais recentes usam um parafuso de aço com uma cabeça hexagonal de 2.5mm.
- É crucial que não esqueça nenhuma das anilhas serrilhadas W ao montar a placa de sustentação RP e que o torque correcto é usado nos parafusos SHS.
- O selo azul no parafuso destina-se a bloquear os parafusos na devida posição; não altere, não remova nem exponha este selo à humidade, dado que a acção de bloqueio ficará bastante reduzida.
- Os parafusos não devem ser reapertados depois da instalação inicial; o selo azul não funcionará correctamente.
- Os parafusos devem ser substituídos pela peça de substituição QFCB-BOLTS da Brompton ou por dois parafusos M5x16 com cabeça de caixa, de Classe 12.9 DIN 912 e com um fio de cola vedante de potência média aplicado nas roscas antes da instalação.



INSTRUÇÕES DE MONTAGEM

Necessita de uma chave Allen de 4mm e de uma chave de parafusos de cruz. Monte a placa de sustentação RP e um dos parafusos de cabeça de caixa M5 (SHS), juntamente com a respectiva anilha serrilhada W no corpo do bloco para transporte FCB. Instale o conjunto no tubo principal da bicicleta, da maneira correcta como está demonstrada.

- Insira o primeiro parafuso com apenas duas ou três voltas e não totalmente
- Insira e proceda da mesma forma com o segundo parafuso com a anilha serrilhada W.
- Finalmente, aperte ambos os parafusos com firmeza, com um torque de 4.5Nm.
- Encaixe a extremidade inferior do trinco LL através do orifício na base do bloco para transporte FCB e, em seguida, segurando na parte inferior do trinco, posicione a respectiva parte superior dentro do bloco para transporte.
- Encaixe o parafuso auto-rosca ST através do orifício no trinco e segure com firmeza no bloco para transporte.
- O parafuso ST deve ser totalmente apertado, de modo que o trinco fique devidamente bloqueado, caso contrário, será ineficaz e a bagagem pode cair, o que é perigoso.

LIMPEZA E LUBRIFICAÇÃO

É importante lubrificar os componentes para manter o respectivo funcionamento eficaz e em segurança. Recomendamos que proceda à lubrificação regularmente, embora algumas peças venham a precisar de uma lubrificação mais frequente.

A corrente deve estar bem lubrificada para pedalar com suavidade. Aplique o lubrificante para a corrente rodando os pedais para trás, certificando-se de que flui para os rolamentos; deixe o óleo actuar, continuando a rodar os pedais para trás e, de seguida, limpe o eventual excesso.

Durante a lubrificação da corrente, é importante recordar que está a lubrificar os rolamentos da corrente e não as placas. A lubrificação das placas promove a ineficiência do efeito de tracção da corrente e vai servir apenas para atrair e reter a sujidade. O melhor método é aplicar cuidadosamente uma gota de lubrificante em cada rolamento. Este é um processo mais demorado do que apenas verter o lubrificante na corrente enquanto pedala para trás, mas garante que a lubrificação é aplicada onde é necessária e não em qualquer outro local.

A rosca do parafuso do grampo de aperto e a respectiva anilha devem ser ocasionalmente lubrificadas com massa. Uma camada fina de massa lubrificante nas faces interiores das placas de aperto também ajuda a desapertar mais facilmente.

As mudanças e os rolamentos são selados; a lubrificação é necessária apenas em assistência de grande amplitude realizada por um técnico de bicicletas.

Quando lubrificar a sua Brompton, evite o contacto do óleo ou da massa lubrificante com o espigão do selim ou os aros das rodas. Qualquer massa lubrificante de boa qualidade para utilização geral é satisfatória. Para a corrente, os lubrificantes "secos" para correntes com boas propriedades de penetração proporcionam os melhores resultados. Tenha em consideração o impacto ambiental dos lubrificantes e massas lubrificantes que aplica.

Recomendamos a utilização de um balde de água quente com detergente e uma esponja para limpar a bicicleta. Não use mangueiras ou máquinas de lavar à pressão, dado que pode forçar a entrada de água em rolamentos e peças móveis, expulsando o lubrificante e provocando a corrosão.

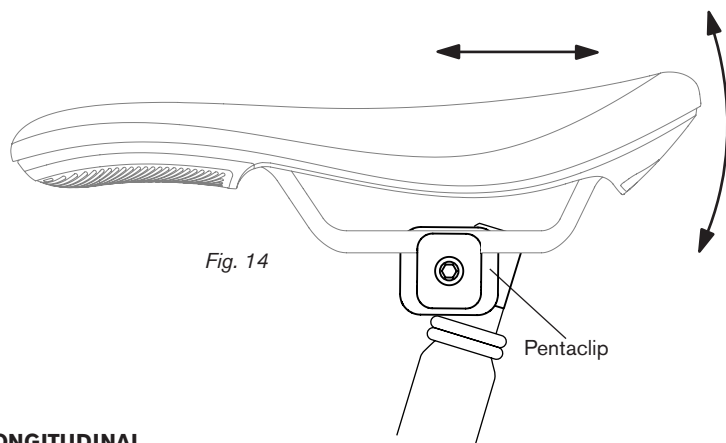
AJUSTE DA POSIÇÃO DO SELIM

A inclinação e a posição longitudinal podem ser ambas reguladas. Para determinar a posição mais confortável, deve começar por regular o selim numa posição neutra. A partir daí, pode descobrir qual a melhor posição. Em primeiro lugar, desaperte o parafuso pentaclip, utilizando uma chave hexagonal de 5mm, até que o selim possa ser movido com pouca força. Tenha cuidado para não desapertar demasiadamente este parafuso, para não tornar esta regulação mais difícil de realizar.

Mova as calhas do selim no ponto de aperto até ficarem centradas (a meia posição entre a longitudinal mínima e máxima). Regule o selim para uma posição nivelada, para que a superfície superior do selim fique relativamente nivelada entre o ponto mais à frente e o posterior (fig. 14). Depois do selim estar numa posição neutra, aperte o parafuso do Pentaclip com 10Nm. Teste a posição do selim, regulando até ficar mais confortável.

INCLINAÇÃO

Se a ponta da frente do selim aparentar estar virada para cima ou se sentir que a parte posterior do selim não proporciona o suporte necessário, pode inclinar o selim para a frente. Por outro lado, pode sentir necessidade de inclinar o selim um pouco mais para trás, para permitir maior suporte na parte da frente ou se sentir que o peso do utilizador está todo centrado na parte posterior do selim. Depois de regular o selim, aperte o parafuso do Pentaclip e, depois de utilizar durante algum tempo e se necessário, volte a regular.



POSIÇÃO LONGITUDINAL

O deslocamento do selim para a frente e para trás, a partir da posição neutra média, não afecta apenas o alcance do utilizador ao guiador, mas também a posição relativamente aos pedais. Ao deslocar o selim para trás, aumenta a distância para o guiador e torna a bicicleta um pouco mais alongada. Deslocando o selim para a frente, torna a bicicleta um pouco mais curta e mais vertical. Teste a bicicleta e volte a regular conforme necessário, certificando-se que aperta com firmeza o parafuso Pentaclip com 10Nm.

ALTURA ADICIONAL PARA O SELIM

Se não conseguir obter uma altura suficiente ao reposicionar o selim, existem duas opções da Brompton que proporcionam mais altura: um espigão de selim telescópico e um espigão mais comprido, com uma extensão adicional de 60mm. O espigão telescópico pode resolver o problema dos utilizadores mais altos, com pequenas alterações nas dimensões da bicicleta dobrada.

Os guiadores e os manípulos de comando da Brompton são posicionados na origem para garantir um compromisso entre a compacidade e o conforto na utilização. Se pretender efectuar quaisquer alterações, o guiador dobrado ou o avanço não podem ficar tão próximos da roda da frente como o normal e aumentam o volume da bicicleta dobrada.

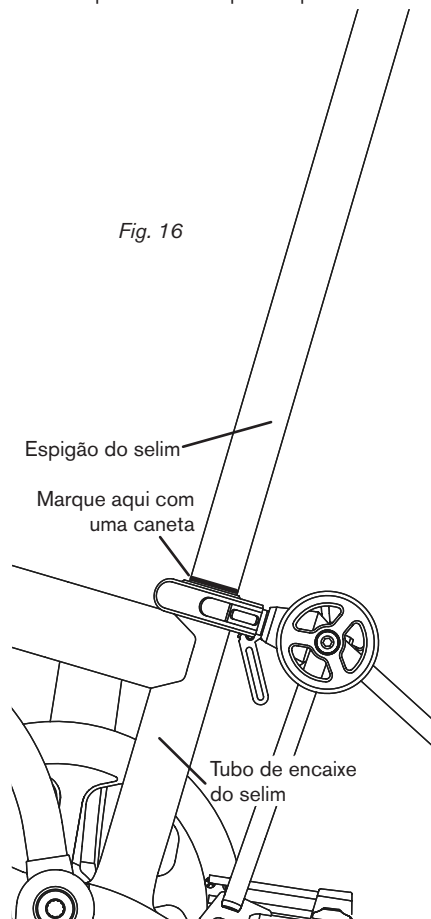
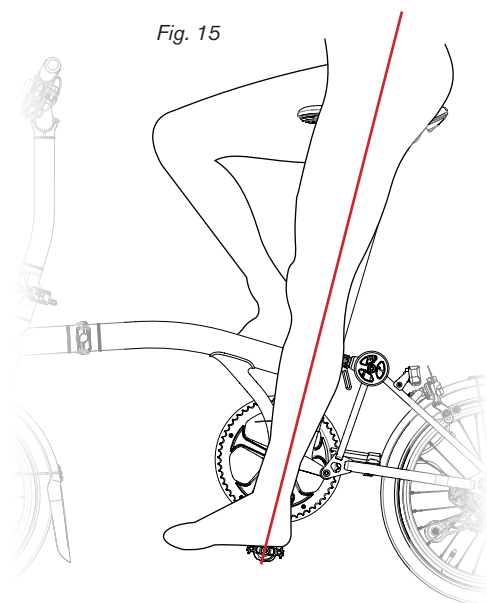
Se o conjunto do avanço do guiador tiver que ser deslocado por qualquer razão, recomendamos vivamente que quaisquer alterações sejam realizadas por um agente Brompton autorizado ou por um técnico certificado. No parafuso de aperto deve ser aplicado um torque de 10Nm.

MONTAGEM DA MANGA DE AJUSTE DA ALTURA DO SELIM

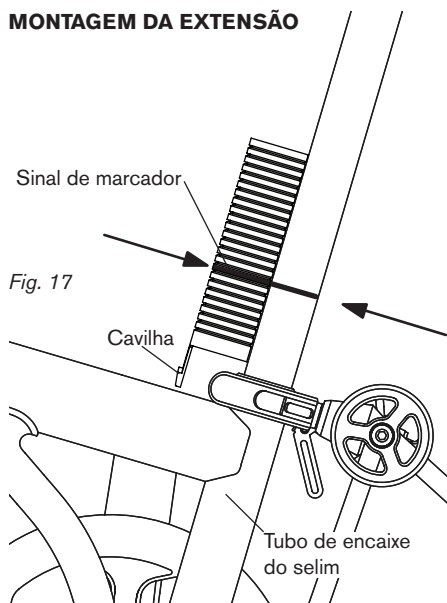
Depois de posicionar correctamente o selim, pode montar a extensão para a altura do selim. Este acessório deve ser montado em casos onde a altura do selim deverá ser mais alta na extensão máxima. A extensão para a altura do selim permite-lhe colocar o selim à altura correcta sempre que a bicicleta for desdobrada.

DEFINIÇÃO DA ALTURA DO SELIM

- Recorde que deve utilizar os seus sapatos de ciclismo habituais nesta fase.
- Regule a altura do selim para quando o pedal estiver na parte baixa da pedalada e o calcanhar do sapato estiver no pedal, de modo a que a sua perna fique esticada (fig. 15).
- Ao pedalar com a ponta do pé, a sua perna deve ficar ligeiramente dobrada na extensão máxima.
- Quando estiver satisfeito com a altura do selim, marque o espigão do selim com um marcador ou uma fita autocolante no topo do tubo de encaixe do selim (fig. 16).
- A altura mínima do espigão do selim é obtida quando o espigão se prolonga para além do tubo do selim, por baixo da parte inferior do quadro; a bicicleta não deve ser usada com o espigão fora da parte inferior do tubo do selim.
- Se não tiver a certeza sobre o processo de montagem, o seu agente Brompton estará disponível para prestar assistência.

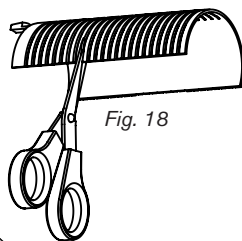


MONTAGEM DA EXTENSÃO

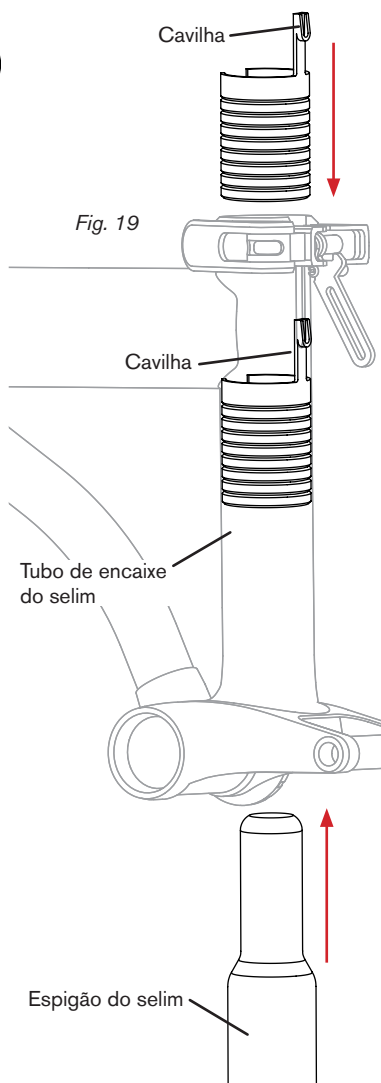


MEDIÇÃO E CORTE DA EXTENSÃO

- Levante o espigão do selim até à altura máxima.
- Coloque a extensão virada ao contrário, contra o poste, no topo do tubo de encaixe do selim, conforme demonstrado (fig. 17) e marque a ranhura na extensão, o mais próximo possível da marca no espigão do selim.
- Corte cuidadosamente a extensão nesta ranhura com uma tesoura (fig. 18)



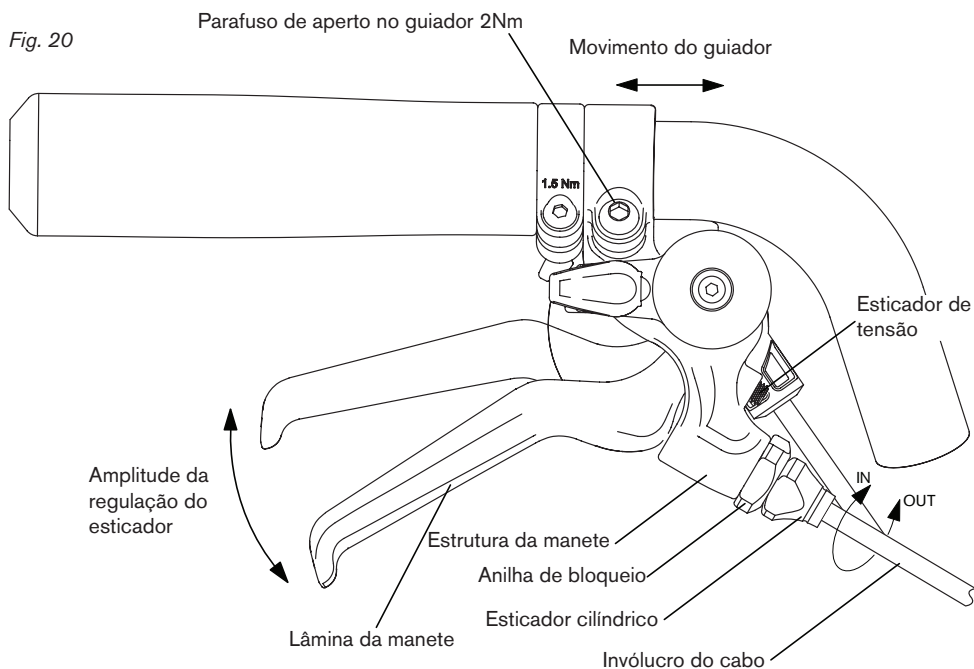
- Marque o Pentaclip para indicar a posição e a inclinação do selim no Pentaclip utilizando um marcador ou fita autocolante.
- Desaperte o Pentaclip com uma chave hexagonal de 5mm e remova o selim e os O-Rings da parte superior do espigão do selim.
- Remova o espigão do selim, puxando-o a partir da base do quadro.
- Pressione a extensão para a altura do selim e insira no topo do tubo do espigão do selim, alinhando a cavilha com a ranhura (fig. 19).
- Encaixe a cavilha na base da ranhura (fig. 19).
- Volte a montar o espigão do selim na base do quadro (fig. 19), certificando-se de que o tubo está limpo.
- Volte a montar os O-Rings e o selim, alinhando as marcas de posição no Pentaclip e aperte (15Nm).
- Verifique se a altura do selim é a correcta na extensão máxima. Podem ser realizados pequenos ajustes, movendo a posição do Pentaclip ligeiramente para cima ou para baixo no tubo (fig. 14). Para obter mais informações, consulte <https://www.brompton.com>



AJUSTE DAS MANETES DOS TRAVÕES

Para obter uma posição confortável e segura da manete do travão, é importante dedicar algum tempo para garantir que fica devidamente ajustada. Dependendo do tamanho da sua mão, pode regular a distância da manete ao guiador. A manete pode ser instalada para ser accionada com um, dois ou três dedos.

As manetes do lado esquerdo e do lado direito são especificamente concebidas para as respectivas posições. A manete é instalada com o parafuso de aperto virado para cima (fig. 20).



1. ÂNGULO DA MANETE

A amplitude da regulação do ângulo da manete é limitada pela via de saída do cabo. Se o ângulo da manete for grande, irá provocar problemas no funcionamento dos travões e para dobrar a bicicleta.

Quando a bicicleta está dobrada, o invólucro do cabo do travão direito fica em contacto com o braço da forqueta. O ângulo da manete deve ser regulado para o invólucro do cabo tocar ligeiramente no braço da forqueta. O contacto mais intenso provoca interferência e danifica o invólucro. Por este motivo, a lâmina da manete apresenta uma rugosidade que permite que fique mais alta que a estrutura da manete, proporcionando uma posição mais confortável sem afectar a instalação do invólucro do cabo.

2. POSIÇÃO DA MANETE

A posição da manete no guiador pode ser regulada para se deslocar para mais próximo ou mais afastado da extremidade do punho do guiador. Esta regulação permite que a manete fique posicionada para ser accionada para travagem com um, dois ou três dedos.

O posicionamento da manete para travagem com um dedo permite que agarre o guiador com maior firmeza, mas origina a aplicação de uma menor força de travagem. A travagem com três dedos permite aplicar o máximo de força de travagem, mas reduz a firmeza no guiador.

3. ESTICADOR DE TENSÃO

A regulação da tensão da manete é controlada pelo parafuso sem cabeça na lateral da estrutura da manete.

Ao apertar o esticador de tensão na estrutura da manete (com a chave hexagonal de 2.5mm), aproxima a manete do guiador.

Quando a amplitude da manete é regulada para ficar mais próxima do guiador, origina que os calços de travão se desloquem para mais próximo do aro da roda. Pode ser necessário regular o ponto de aperto da manete (posição de accionamento do travão), para proporcionar uma folga suficiente dos calços. Para isso, aperte o esticador cilíndrico na estrutura da manete.

Se não existir regulação suficiente no esticador cilíndrico para proporcionar uma folga adequada dos calços e um ponto de aperto da manete satisfatório, pode ser necessário desapertar o parafuso de aperto do cabo (chave de porcas de 10mm) no calibrador do travão, para permitir que o cabo seja puxado. Certifique-se de que este parafuso é reapertado com 8Nm e garanta que o cabo fico devidamente fixado antes de utilizar a bicicleta.

4. REGULAÇÃO DO PONTO DE APERTO DA MANETE

A regulação do ponto de aperto da manete (posição de accionamento do travão), é controlada pelo esticador cilíndrico. Ao apertar o esticador cilíndrico na estrutura da manete vai aproximar o ponto de aperto da manete do guiador. Ao apertar o esticador cilíndrico no sentido oposto (para fora) vai deslocar o ponto de aperto da manete para mais longe do guiador.

O esticador cilíndrico utiliza uma anilha de bloqueio para o fixar na respectiva posição. A anilha deve ser retirada antes da regulação e aplicada depois do esticador cilíndrico estar correctamente posicionado.

5. FIXAÇÃO DA MANETE

Depois da manete estar correctamente posicionada no guiador, o parafuso de aperto deve ser fixado com um torque de 2Nm (chave hexagonal de 4mm).

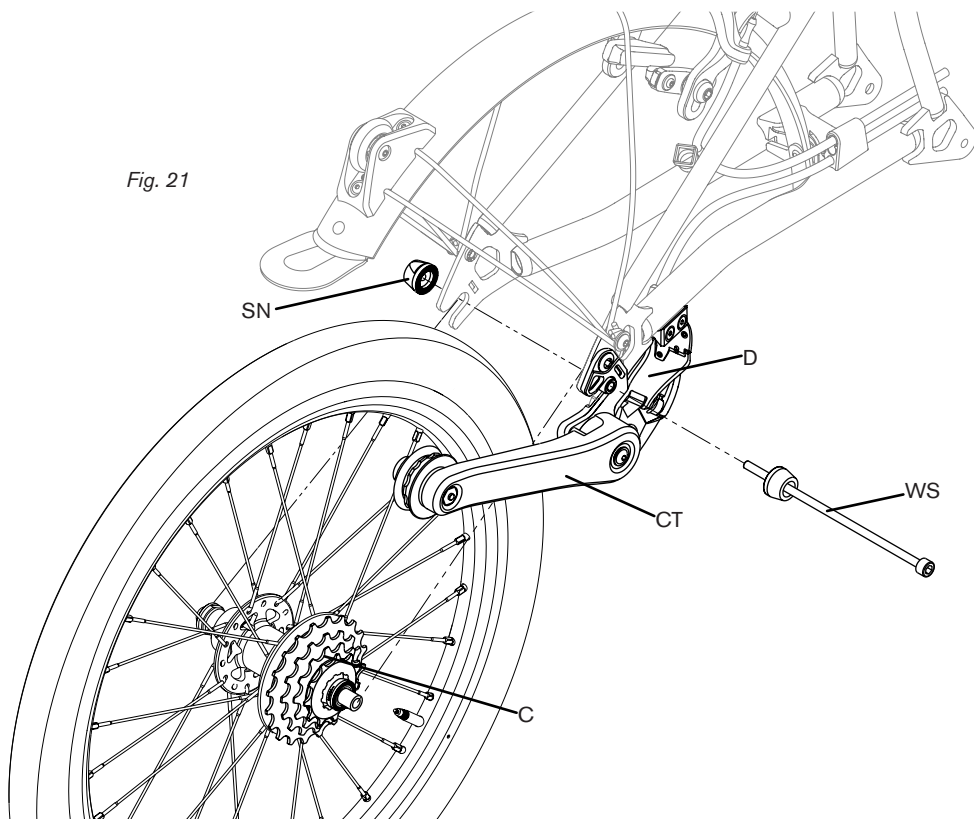
A instalação correcta do cabo e o comprimento do respectivo invólucro são essenciais. Os cabos devem passar pela frente do guiador, para a esquerda do suporte do guiador e para a direita do tubo do quadro principal.

SE ESTIVER INSEGURO ACERCA DE QUALQUER UM DESTES AJUSTES, CONSULTE O SEU AGENTE BROMPTON. NÃO TENTE UTILIZAR A BICICLETA COM UMA DEFICIENTE AFINAÇÃO DOS TRAVÕES.

RODA TRASEIRA - REMOÇÃO E MONTAGEM

- Ao montar ou remover a roda traseira, mude a engrenagem para a roda dentada pequena na cassete.
- O esticador da corrente deve ser libertado da corrente antes de remover a roda.
- Depois de instalada, certifique-se de que a roda está correctamente colocada no encaixe, caso contrário as mudanças podem não funcionar correctamente.
- É fundamental que siga o procedimento adequado para a instalação e aperte correctamente todas as fixações.

Fig. 21



REMOÇÃO

Para remover a roda traseira, coloque a bicicleta num suporte. Na preparação, a tensão deve ser removida da corrente. Para isso, desaperte o CT. Quando a corrente estiver folgada, pode ser removida de C e fora do caminho para poder retirar a roda. Utilize uma chave hexagonal de 5mm para soltar o WS. Depois de desapertado, para evitar que a porca SN do eixo rode no lado oposto, mantenha-a na devida posição. De seguida, remova completamente o WS. Para a roda passar pelo calibrador do travão, o pneu deve ser esvaziado. A roda pode depois ser orientada para fora com pouca pressão.

MONTAGEM

Para montagem da roda traseira, coloque a bicicleta num suporte. Certifique-se de que a orientação correcta da marcha, verificando se a seta na parede do pneu indica a orientação de marcha para a frente. Oriente a roda na devida posição, garantindo que a corrente pode ser depois correctamente colocada na cassete C. Quando a roda estiver devidamente encaixada na sua posição: Insira o eixo WS conforme indicado (fig. 21). Aperte o parafuso do eixo com 7Nm. O esticador de corrente CT pode depois ser encaixado pela corrente.

SUBSTITUIÇÕES DE ROTINA

São aconselháveis substituições de rotina para garantir a sua segurança e um bom desempenho da bicicleta. Os intervalos sugeridos entre substituições referem-se a bicicletas sujeitas a uma utilização normal; o momento mais adequado depende das condições e do estilo da utilização. Recomendamos a utilização de peças de substituição Brompton genuínas para todos os componentes importantes para a segurança.

COMPONENTES DE ALUMÍNIO Tal como noutras máquinas leves, a liga de alumínio é utilizada na construção de alguns componentes da bicicleta Brompton e este material tem uma vida útil limitada antes de falhar. Numa utilização normal, o risco da falha do alumínio por fadiga é remoto, mesmo após vários milhares de quilómetros. No entanto, o risco de falha aumenta com o uso, especialmente com uma utilização intensa ou cargas pesadas. Dado que uma falha deste tipo pode provocar ferimentos, as placas do grampo de aperto, o guiador, a corrente, o espigão e os pedais devem ser substituídos a cada 8000 quilómetros (mais frequentemente se a bicicleta tiver sido sujeita a uma utilização intensa) e recomendamos que esses componentes sejam verificados regularmente.

TRANSMISSÃO Todas as bicicletas Brompton possuem um esticador de corrente, de molas e de afinação automática, para manter a tensão correcta na corrente. No decurso do tempo, a corrente e as respectivas rodas dentadas desgastam-se, o que é vulgarmente conhecido como “alongamento da corrente”; esta situação provoca uma ineficiente e difícil potência de transmissão. Recomendamos a substituição da corrente e das rodas dentadas a cada 3200 – 4800 quilómetros, mas a limpeza e lubrificação regulares prolongam a vida útil da corrente. Nunca utilize uma corrente nova com rodas dentadas desgastadas ou vice-versa. Para medir o alongamento da corrente, pode pretender utilizar uma ferramenta para o alongamento da corrente.

Os Cabos dos TRAVÕES não têm uma vida ilimitada e, para reduzir o risco de falha, substitua os cabos em intervalos de 6400 quilómetros ou menos. Os novos cabos exteriores devem ser exactamente do mesmo tamanho dos originais e, para melhores resultados, utilize cabos específicos para a Brompton e procure que sejam instalados por um Agente Brompton autorizado ou por um técnico certificado. Os cabos com o comprimento incorrecto podem afectar a segurança e o desempenho da sua bicicleta.

OS CABOS DAS MUDANÇAS devem ser substituídos nos mesmos intervalos dos cabos dos travões. Dado que os cabos Brompton são específicos para as bicicletas Brompton, apenas devem ser utilizados os cabos Brompton genuínos. Procure que sejam instalados por um Agente Brompton autorizado ou por um técnico certificado. Os cabos com o comprimento incorrecto podem afectar a segurança e o desempenho da sua bicicleta.

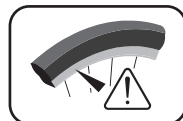
CALÇOS DE TRAVÃO Quando os calços de travão são novos, possuem ranhuras na superfície de travagem; quando essas ranhuras forem inferiores a 1mm de profundidade ou já não forem visíveis, os calços devem ser substituídos. Dado que os calços de travão são importantes para o funcionamento seguro dos travões, recomendamos que procure que a instalação seja realizada por um técnico qualificado, utilizando calços de travão de substituição genuínos da Brompton.

PNEUS O risco de ocorrência de furos aumenta com a quilometragem percorrida e com o desgaste do piso do pneu. Quando verificar que o piso do pneu está desgastado, substitua o pneu. A substituição do pneu reduz as hipóteses de ocorrência de furos e aumenta a eficiência a pedalar.

ILUMINAÇÃO PELO DÍNAMO Os cabos eléctricos utilizados na iluminação pelo dínamo desgastam-se ao dobrar e desdobrar a bicicleta Brompton. Quando os cabos estiverem desgastados, substitua-os imediatamente para evitar danificar o dínamo. Se as suas luzes não funcionarem, procure a assistência por um técnico qualificado para se manter visível e em segurança na estrada.

BLOCO DE SUSPENSÃO E CASQUILHO Verifique anualmente o desgaste do casquilho e do bloco de suspensão. Se detectar quaisquer fissuras no bloco de suspensão, procure substituí-lo imediatamente.

AROS DAS RODAS As superfícies de travagem dos aros desgastam-se com o uso. Existe um pequeno relevo na superfície de travagem junto à válvula que actua como indicador de desgaste. Quando o relevo deixar de ser visível no aro devido ao desgaste, significa que o aro deve ser substituído. Procure este símbolo nos aros das rodas.



ASSISTÊNCIA AOS 160 QUILOMETROS Em todas as bicicletas, alguns itens demoram algum tempo para se adaptarem na sua posição; para evitar danos, é necessária alguma atenção pouco tempo depois de começar a utilizar a bicicleta. Recomendamos que a sua Brompton seja inspecionada por um mecânico qualificado depois dos primeiros 160 quilómetros ou 1 mês (conforme o que ocorrer mais cedo). Deve ser prestada particular atenção aos seguintes itens:

Raios A tensão dos raios deve ser verificada e devem ser realizadas as respectivas afinações. Se um raio ficar solto por qualquer razão, os raios na sua proximidade ficarão sujeitos a uma carga adicional e podem falhar.

Parafusos do Eixo da Pedaleira e Pedais Deve ser verificado o respectivo aperto. O torque correcto é de 30Nm; a rosca do pedal LH (esquerdo) é para a esquerda.

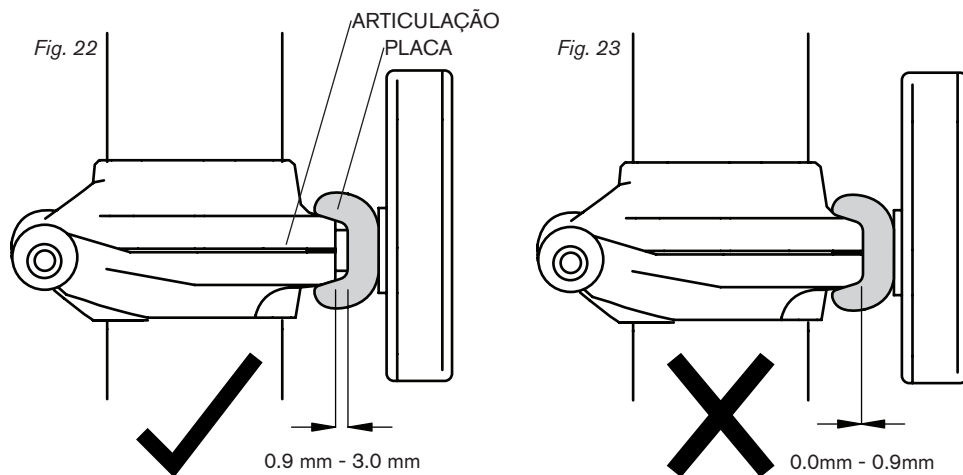
CABOS Embora os cabos sejam pré-esforçados, é inevitável a necessidade de um alongamento adicional. Dado que isto afecta o controlo do cubo de mudanças, as mudanças devem ser verificadas para uma afinação correcta. É aconselhável a verificação dos travões na mesma altura.

MANGA DO ESPIGÃO DO SELIM O espição do selim desliza para cima e para baixo numa manga plástica dentro do quadro. Trata-se de um componente de desgaste que necessita de ser periodicamente substituído. Se o espição do selim deslizar ao usar ou se for necessário apertar demasiadamente a porca do grampo de fixação de desaperto rápido para segurar o espição, é provável que a manga esteja excessivamente desgastada e que seja necessária a sua substituição. A manga desgastada pode, eventualmente, causar danos no próprio quadro se não for substituída. A substituição da manga requer ferramentas especializadas e deve ser feita por um agente Brompton autorizado.

ARTICULAÇÃO TRASEIRA No decurso do tempo, os casquilhos na articulação do quadro traseiro podem ficar desgastados, pode detectar-se uma ligeira folga. Para eliminar a folga, os casquilhos devem ser substituídos. Este trabalho deve ser realizado por um agente Brompton autorizado, recorrendo a ferramentas especializadas.

PLACA DO GRAMPO DE APERTO Se a placa estiver desgastada ou danificada, pode reduzir a eficácia de fixação da articulação e deve ser inspeccionada regularmente e substituída quando necessário. A folga entre as estruturas articuladas e a placa do grampo de aperto (fig. 22), quando a manete é apertada, na articulação do guiador como na articulação do quadro principal, deve medir entre 0.90mm a 3.00mm. Estes componentes devem ser verificados regularmente e substituídos quando necessário.

Se a folga entre a articulação e a placa do grampo de aperto for inferior a 0.90mm (fig. 23), substitua a placa do grampo de aperto. A bicicleta não deve ser usada se não existir qualquer folga entre a placa do grampo de aperto e a articulação, enquanto a placa não for substituída.



GARANTIA

Se a sua bicicleta registada apresentar um defeito de fabrico, substituiremos a peça com defeito, sem encargos, desde que sejamos informados no prazo de sete anos (no caso do quadro e no prazo de dois anos se não estiver registada) ou de dois anos (no caso de outras peças) após a data da primeira compra da bicicleta. A Brompton destina-se a utilização em estrada e outros percursos em boas condições. Não se destina a circuitos de corta-mato: esta actividade pode sobrecarregar o quadro, além de os pneus e as rodas não serem adequados.

MY BROMPTON Esta secção da página de Internet da Brompton permite que os proprietários registem os detalhes da(s) respectiva(s) bicicleta(s), para que possam ser contactados em caso de necessidade. É necessário proceder ao registo da bicicleta para activar a garantia de 7 anos para os componentes do quadro principal. A informação será conservada na base de dados da Brompton e não será disponibilizada a terceiros <https://www.brompton.com>

NÚMEROS DE SÉRIE E DO QUADRO A etiqueta na parte traseira do tubo do selim no quadro principal inclui o número de série composto por 10 dígitos. O número do quadro composto por 6 dígitos está gravado no quadro principal, imediatamente à frente do veio de suspensão traseiro: é uma boa ideia conservar um registo de ambos os números. Registe os números nas páginas em branco na parte final deste manual.

TERMOS E CONDIÇÕES DE GARANTIA DA BROMPTON

Obrigado por escolher uma bicicleta Brompton. A sua bicicleta é produto da aplicação da comprovada especialização da Brompton, testes abrangentes e o esforço contínuo pela superior fiabilidade, segurança e desempenho.

Pode manter a máxima protecção em conformidade com estes termos, garantindo que a sua bicicleta é reparada de acordo com as recomendações indicadas no manual do utilizador. Mantenha os registos de todos os serviços de manutenção realizados pelo seu agente autorizado Brompton e certifique-se de que disponibiliza esses registos de assistência ao seu Agente Brompton, sempre que solicitado ou quando forem realizados trabalhos de reparação ou no âmbito da garantia.

Todas as novas bicicletas Brompton registadas na secção "My Brompton" da nossa página de internet, são cobertas por uma garantia de quilometragem ilimitada de 7 anos para os componentes do quadro principal, com início na data da venda. As outras peças de não desgaste da sua bicicleta (braços da pedaleira, calibradores de travões, guarda-lamas, etc.) são cobertas por uma garantia de 2 anos. Certifique-se de que guarda a sua factura de compra em local seguro para futuras consultas. As bicicletas Brompton não registadas na secção "My Brompton" da nossa página de internet, estão abrangidas por uma garantia de quilometragem ilimitada de 2 anos para os componentes do quadro principal, com início na data da venda.

Dentro destes períodos de garantia, a Brompton Bicycle Ltd garante que a nova bicicleta Brompton não apresenta qualquer defeito nos materiais utilizados no fabrico e/ou na mão-de-obra no momento do fabrico.

- Qualquer componente que apresente defeitos durante este período será reparado ou substituído por um Agente ou Distribuidor Brompton autorizado ou pela própria fábrica, segundo critério da Brompton Bicycle Ltd.
- Qualquer componente substituído nos termos da garantia será coberto pelo período restante de garantia da bicicleta.
- Todos os componentes substituídos sob garantia devem ser devolvidos à Brompton Bicycle Ltd pelo agente e/ou distribuidor e passarão a ser propriedade da Brompton Bicycle Ltd.
- A Brompton pode, segundo o seu critério, fazer reparações ou substituição de componentes defeituosos que escapem ao período de garantia, mas esse trabalho não deve ser considerado como uma admissão de responsabilidade.
- A Brompton suportará os encargos de mão-de-obra pelos trabalhos realizados sob garantia.
- A garantia pode ser transferida para os proprietários subsequentes, pelo período de tempo restante.

Continua na página seguinte

Condições e Excluições:

1. Recomendamos que a sua Brompton seja inspeccionada por um mecânico qualificado depois dos primeiros 160 quilómetros ou 1 mês (conforme o que ocorrer mais cedo), dado que alguns itens demoram algum tempo para se adaptarem na sua posição e pode ser necessário proceder a ajustes para evitar danos.
2. Substituições de rotina: esta secção do Manual do Utilizador, descreve os componentes da bicicleta que deverão ser substituídos no âmbito da manutenção de rotina e assistência da bicicleta. Devem ser seguidas estas linhas de orientação, especialmente tendo em consideração a quilometragem que a bicicleta percorre, dado que isso afectará a função de muitos componentes, por exemplo, os cabos de travão, a corrente, rodas dentadas, etc. A quilometragem e o uso também afectarão a vida útil dos componentes de alumínio, os quais devem ser substituídos a cada 8000 quilómetros de uso (ou mais cedo, se o uso for particularmente exigente/intenso) e, portanto, não entram no termos de garantia para a bicicleta, detalhados acima.
3. A garantia descrita acima é apenas válida no país em que a bicicleta foi comprada.
4. As bicicletas exportadas de um país para outro serão suportadas, dentro do período de garantia, pelo fornecimento gratuito de peças da fábrica, quando necessário. No entanto, o agente ou distribuidor da Brompton no novo país normalmente cobra pelo trabalho necessário para realizar reparações de garantia e por qualquer direito de importação cobrado sobre as peças fornecidas gratuitamente.
5. A bicicleta não deve ter sido utilizada para competição não autorizada, incorrectamente usada*, com manutenção inadequada ou incorrectamente reparada ou assistida.
6. A bicicleta não deve ter sido sujeita a nenhuma modificação, reparação ou substituição, excepto quando autorizado pela Brompton Bicycle Ltd.
7. A bicicleta deve ter sido assistida por um Agente Brompton autorizado.
8. Os defeitos causados por afinações desadequadas ou reparações e alterações realizadas por um Agente Brompton não autorizado não são cobertos por esta garantia.
9. Os defeitos causados pelo uso de peças e acessórios não autorizados pela Brompton Bicycle Ltd não são cobertos por esta garantia.
10. A garantia não cobre os custos de remoção e substituição de peças e acessórios, excepto quando fornecido como equipamento original ou recomendado pela Brompton Bicycle Ltd.
11. Os componentes cujo desgaste é expectável como parte da sua função normal, como pneus, lâmpadas, correntes, rodas dentadas, pastilhas de travão, etc., estão excluídos dos termos desta garantia, excepto quando apresentem defeitos de fabrico.
12. Outros itens excluídos da garantia são o selim, bagagem, pintura, cromagem, itens de alumínio polido ou autocolantes, onde a deterioração tenha sido provocada pelo desgaste normal, exposição ou falta de manutenção correcta.
13. Qualquer bateria fornecida com a bicicleta é excluída da garantia, excepto se apresentar qualquer derrame no momento da entrega.
14. A garantia não abrange as bicicletas usadas em âmbito comercial, por exemplo, por mensageiros ou transportadores, etc.
15. A garantia não cobre defeitos que não tenham sido reportados a um agente autorizado no prazo de dez dias após a descoberta do defeito.
16. A sua bicicleta exigirá manutenção mais frequente se for utilizada em climas ou condições severas, como ambientes marítimos ou estradas frequentemente tratadas com sal, com neve profunda (acima da altura do meio eixo) ou em terrenos de terra batida ou arenosos. Estes ambientes podem causar falhas prematuras dos acabamentos no quadro e nos seus componentes e essa deterioração é excluída destes termos de garantia. A Brompton Bicycle Ltd aplicou muito cuidado na selecção de materiais, técnicas de galvanização e de pintura, para poder proporcionar aos seus clientes uma aparência cosmética de grande qualidade aliada à durabilidade. No entanto, nos casos onde a sua bicicleta é frequentemente usada em condições ambientais hostis como as anteriormente indicadas, é essencial que a bicicleta seja lavada, seca e que a lubrificação perdida seja substituída para garantir que a bicicleta permaneça na melhor condição. Se solicitado, o seu agente pode disponibilizar mais informações e aconselhamento. Em última análise, a aparência da sua bicicleta dependerá muito do cuidado que recebe.
17. Se for necessária uma reclamação de garantia, a Brompton Bicycle Ltd e os Agentes ou Distribuidores não serão responsáveis pelo custo de transporte da bicicleta de ou para o Agente Brompton autorizado nem para despesas emergentes do facto da bicicleta estar fora de serviço, incluindo os custos associados à perda de uso, inconveniência, perda de tempo, perdas comerciais ou outros danos incidentais ou consequentes.

Esta garantia deve ser interpretada de acordo com a lei inglesa e qualquer questão decorrente desta garantia estará sujeita à jurisdição dos tribunais ingleses.

Qualquer declaração, condição, representação, descrição ou qualquer outra forma de garantia contida em qualquer catálogo, anúncio ou outra publicação, não deve ser interpretada como ampliação, variação ou substituição de algo aqui incluído.

A Brompton Bicycle Ltd reserva para si o direito de fazer alterações ou melhoramentos, sem qualquer tipo de aviso, a qualquer modelo ou máquina, sem obrigação de o fazer às bicicletas já vendidas. Esta garantia não afecta os seus direitos legais.

* A utilização incorrecta inclui qualquer uso que não esteja em conformidade com as recomendações feitas no manual do utilizador e qualquer uso contrário aos avisos fornecidos nesse mesmo manual. Além disso, a utilização incorrecta incluirá, entre outros, o uso da bicicleta que não constitua o uso normal em estrada, dado que a sua Brompton se destina a ser usada em estradas e caminhos em boas condições. Não se destina a circuitos de corta-mato, dado que esta actividade pode sobrecarregar o quadro, além do facto dos pneus e das rodas não serem adequados.



BROMPTON BICYCLE LTD
Unit 1 Greenford Park
Ockham Drive
Greenford
Middlesex
UB6 0FD
© Brompton Bicycle Ltd 2020

OM9-2

ISO 4210-2
BICICLETAS DE ESTRADA E TREKKING

CPSC 16 CFR 1512



BROMPTON



P Line

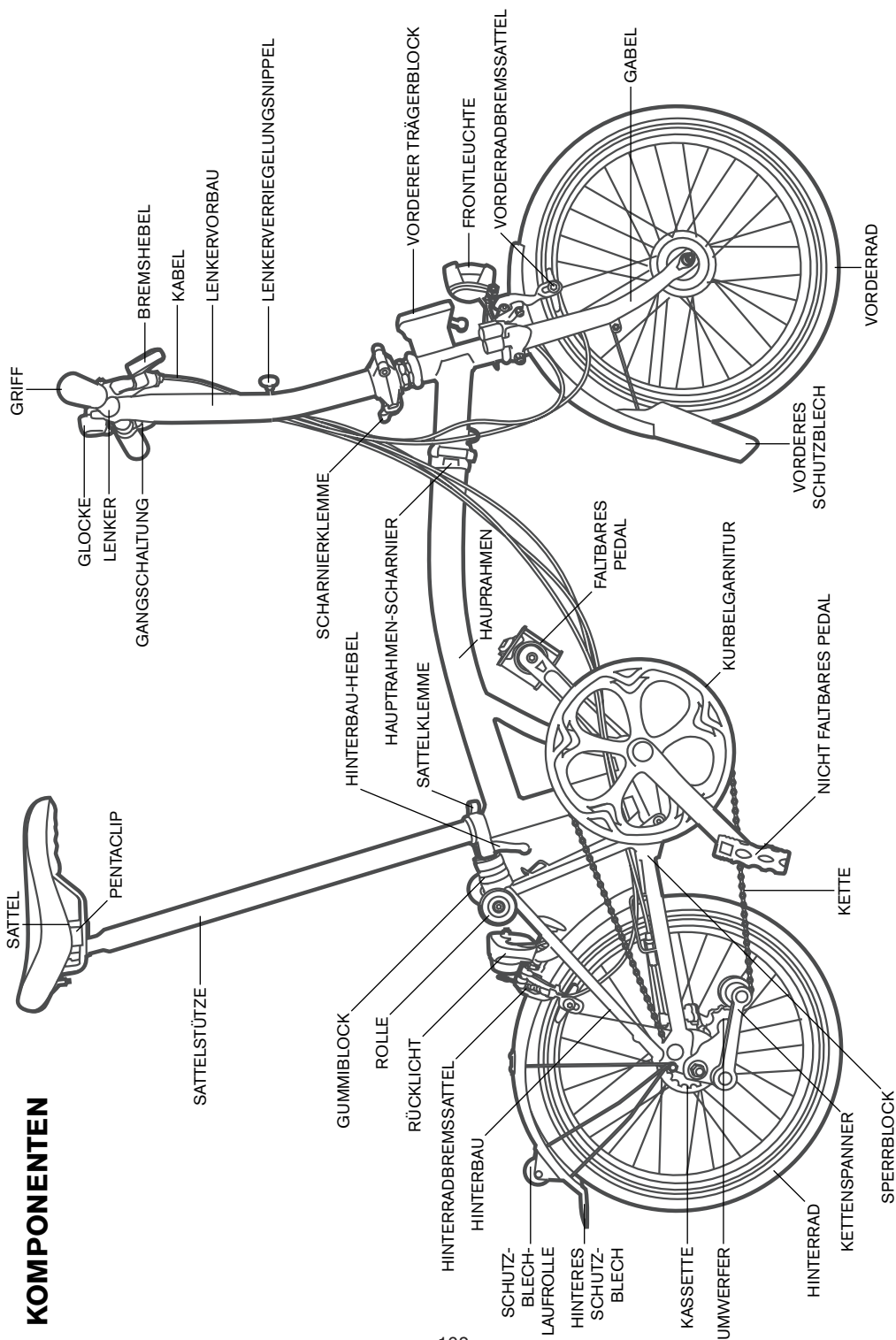
Benutzerhandbuch

OM9-2

ISO 4210-2
CITY- UND TREKKING-BIKES

CPSC 16 CFR 1512

KOMPONENTEN



INHALTSVERZEICHNIS

EINLEITUNG _____	164
SICHERHEIT _____	165
ENTFALTEN _____	166
ZUSAMMENFALTEN _____	170
SPERRBLOCK _____	173
BENUTZUNG DES BROMPTON P LINE _____	174
GÄNGE _____	175
BREMSEN _____	179
BELEUCHTUNG _____	179
HINTERBAU-CLIP _____	179
TASCHEN _____	180
REINIGUNG UND SCHMIERUNG _____	181
EINSTELLEN DER SATTELPOSITION _____	182
MONTAGE DES SATTELHÖHENEINSATZES _____	183
BREMSHEBEL EINSTELLEN _____	185
HINTERRAD-AUS- UND EINBAU _____	187
ROUTINEMÄSSIGER AUSTAUSCH _____	188
GEWÄHRLEISTUNG _____	190



EINLEITUNG

Lesen Sie bitte vor Verwendung Ihres Brompton dieses Handbuch und beachten Sie dabei besonders die Abschnitte über Sicherheit und Zusammenfalten. Dieses Handbuch dient zwar als Anleitung, ist aber kein umfassender Leitfaden über das Radfahren oder die Wartung von Fahrrädern.



Um Ihre 7-Jahres-Gewährleistung zu aktivieren, müssen Sie Ihr Fahrrad im Abschnitt „My Brompton“ unserer Webseite registrieren, um Details über Ihr Fahrrad (Ihre Fahrräder) aufzuzeichnen; falls Ihr Fahrrad gestohlen wird oder wir Sie aus irgendeinem Grund kontaktieren müssen, dient dieser Eintrag als Bezugspunkt. Sie werden dabei aufgefordert, Ihre Serien- und Rahmennummern einzugeben: Die Seriennummer befindet sich auf einer Platte auf der Rückseite des Hauptrahmens. Die Rahmennummer ist auf dem Rahmen in der Nähe des Tretlagers eingestanzt. Die Informationen verbleiben in der Brompton-Datenbank und werden nicht an Dritte weitergegeben <https://www.brompton.com>

Wenn Sie selbst Anpassungen- oder Wartungsarbeiten vornehmen, lesen Sie bitte zuerst die entsprechenden Abschnitte dieses Handbuchs, denn schnell geht etwas schief, das den Faltvorgang beeinträchtigen oder Ihr Fahrrad beschädigen kann. Dieses Handbuch enthält einige Tipps und Ratschläge für die Verwendung Ihres Brompton, aber wenn Sie jemals unsicher bei der Pflege Ihres Fahrrads sind, besuchen Sie einen autorisierten Brompton-Händler für kompetente Beratung. Eine Liste von Händlern finden Sie auf unserer Webseite: <https://www.brompton.com/Find-a-Store>

Wir empfehlen eine regelmäßige Inspektion und Wartung Ihres Fahrrades durch einen Brompton-Händler.

Dieses Handbuch entspricht ISO 4210-2

TRAGEN UND SCHIEBEN DES GEFALTETEN FAHRRADS

- Die Besitzer sind für die Art der Benutzung des Fahrrads verantwortlich und müssen beim Fahren, Transport und Tragen ihres Fahrrads angemessen auf ihre Sicherheit und Gesundheit achten.
- Brompton übernimmt keinerlei Verantwortung für Verletzungen, die durch das Heben und Tragen eines gefalteten Rads verursacht werden.
- Ein Brompton-Fahrrad wiegt zwischen 9 und 14 kg, je nach Ausstattung.
- Die Taschen auf dem vorderen Trägerblock können ebenfalls bis zu 10 kg wiegen.
- Benutzer müssen das Gewicht des Fahrrads und von Taschen, die sie heben oder tragen möchten, berücksichtigen und gegen die eigene körperliche Fitness abwägen. Auch die Umstände, z. B die Wegstrecke und die Straßenverhältnisse müssen vor jedem Heben bzw. tragen von Fahrrad und Tasche berücksichtigt werden.
- Benutzer sollten Taschen immer vom Faltrad entfernen und nicht versuchen, das gesamte das Gewicht von Rad und Taschen zusammen zu heben oder zu tragen.
- Wenn Sie mit Ihrem Brompton nicht mehr fahren können, beispielsweise in einem Bahnhof, sollten Sie es zunächst so weit wie möglich schieben, es dann zusammenfalten und auf den hinteren Rollen rollen und anschließend so kurz wie möglich tragen.
- Es wird empfohlen, das gefaltete Fahrrad mit einer Hand zu tragen, am bequemsten mit ausgestrecktem Arm und dem Fahrrad auf der Seite. Das Fahrrad sollte entweder am Sattel oder am Hauptrahmen unterhalb des Sattels getragen werden, je nachdem, was Ihnen angenehmer ist
- Wenn Sie das Fahrrad tragen müssen, ist es zweckmäßig, das Fahrrad in bestimmten Abständen abwechselnd mit der anderen Hand zu tragen, je nach Ihren Kräften.
- Das beidhändige Tragen des gefalteten Rads ist nur über sehr kurze Entfernungen ratsam, weil das Fahrrad dabei in Brust-/Bauchhöhe getragen werden muss, damit Sie nicht mit den Beinen oder Knien gegen das Rad stoßen. Dadurch müssen Sie Ihre Arme in einem Winkel von ca. 90 Grad abbiegen, was eine zusätzliche Belastung Ihrer Arme bedeutet.

Die standardmäßig auf dem Brompton montierten kleinen Rollen dienen dazu, das gefaltete Fahrrad in enge Zwischenräume zu schieben. Mit aufgeklapptem Lenker als Griff kann das gefaltete Fahrrad auf diesen Rollen über kurze Distanzen und glattem Untergrund auch gezogen werden. Fahren Sie die Sattelstütze von der niedrigsten Position vorsichtig so weit aus, dass sie das Fahrrad nicht am Rollen hindert, aber nicht so hoch, dass sich das Fahrrad entfaltet. Das gefaltete Fahrrad ist nicht als Sitzgelegenheit konzipiert, setzen Sie sich nicht auf das gefaltete Fahrrad.

SICHERHEIT

Das Brompton wurde für die Verwendung auf Straßen und gut gepflasterten Wegen entwickelt. Die maximale Belastung sollte 110 kg nicht überschreiten (Fahrer und Gepäck eingeschlossen). Ein Brompton ist nicht für Kunststücke, Querfeldeinfahrten oder Extremsportarten gedacht. Sie sollten Ihr Brompton nur für den eigentlichen Zweck verwenden. Ansonsten könnten bei einigen Komponenten Defekte auftreten und Ihre Brompton Gewährleistung hinfällig machen. Die Montage eines Kindersitzes oder Anhängers am Brompton wird nicht empfohlen und setzt die Brompton-Gewährleistung außer Kraft.

Beachten Sie, bevor Sie Ihr Brompton erstmals fahren und auch regelmäßig danach folgende Punkte:

- Wir empfehlen das Tragen eines zugelassenen Fahrradhelms auch in Ländern, in denen das Tragen eines Helms nicht verpflichtend ist.
- Lesen und befolgen Sie die nationalen gesetzlichen Vorschriften des Landes, in dem Sie fahren, und halten Sie alle Straßenverkehrsvorschriften ein.
- Achten Sie darauf, dass die Felgen entlang der Bremsfläche sauber und nicht beschädigt sind. Überprüfen Sie die Felgen auf Abnutzung und lassen Sie diese im Zweifelsfall von einem autorisierten Brompton-Händler kontrollieren oder austauschen.
- Überprüfen Sie Bremsen, Schläuche und die Lenkung regelmäßig.
- Sorgen Sie dafür, dass Bremsen und Gänge richtig eingestellt und die Kabel in gutem Zustand sind.
- Bei Regen können die Bremsen eine geringere Bremskraft haben, und die Straßen rutschiger sein, bremsen Sie daher früher.
- Überprüfen Sie, ob alle Radmutter richtig festgezogen sind (siehe Drehmoment-Tabelle Seite 13).
- In Deutschland, Österreich und der Schweiz bedienen Sie mit dem rechten Bremsgriff die hintere Bremse und mit dem linken Bremsgriff die Vorderradbremse. Dies kann von Land zu Land variieren.
- Wenn Sie bei Dunkelheit fahren, sollten Sie reflektierende Kleidung tragen und Beleuchtung verwenden (Vorder- und Rücklichter); überprüfen Sie, ob Ihre Lichter den lokalen Vorschriften entsprechen



Achten Sie vor und nach jeder Fahrt genau auf Folgendes:

- Vergewissern Sie sich, dass die Sattelstützen-Schnellspannerklemme gesichert und der Sattel auf die richtige Höhe eingestellt ist.
- Die Scharnierklemmen müssen korrekt positioniert und die Knebelschrauben fest angezogen sein.
- Achten Sie beim Falten, Entfalten und auch beim Fahren und der Wartung darauf, dass Hände oder Finger nicht an Stellen gelangen, wo sie durch sich bewegende Teile erfasst oder eingeklemmt werden könnten.
- Vergewissern Sie sich, dass das Fahrrad korrekt gefaltet oder entfaltet ist, um mögliche Verletzungen zu vermeiden.

ACHTUNG

Viele Fahrradkomponenten sind starker Belastung ausgesetzt und können bei hoher Laufleistung, Beladung oder grober Fahrweise schneller ans Ende ihrer normalen Lebensdauer kommen; besonders Aluminiumfelgen haben eine begrenzte Lebensdauer. Falsche Verwendung kann zu Verletzungen führen. Überprüfen Sie alle Lasten tragenden Teile auf Anzeichen von Beschädigung, Korrosion oder Rissbildung und ersetzen Sie sie gegebenenfalls. Wenn Sie unsicher sind, lassen Sie sich von einem autorisierten Brompton-Händler fachmännisch beraten.

An dem Fahrrad dürfen nur mit Genehmigung von Brompton Bicycle Ltd Änderungen, Reparaturen oder ein Austausch von Teilen vorgenommen werden. Das Service für das Fahrrad ist von einem autorisierten Brompton-Händler durchzuführen.

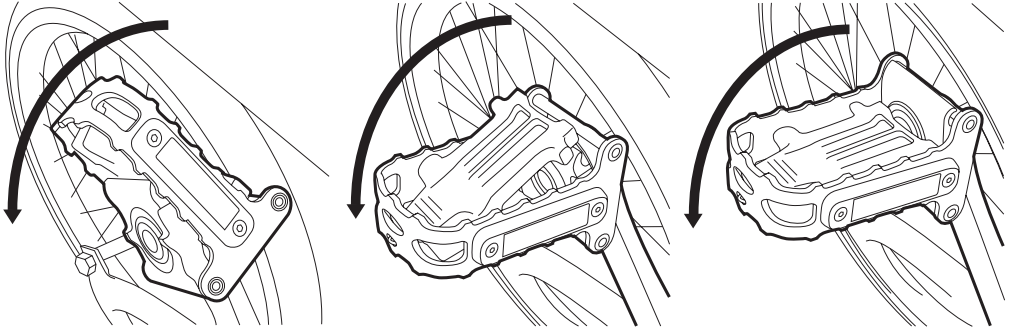
Wenn das Fahrrad in einen Unfall verwickelt war, dürfen Sie es nicht mehr verwenden und müssen es sofort von einem Brompton-Händler überprüfen lassen. Beschädigte Komponenten müssen ersetzt werden, bevor das Fahrrad wieder verwendet wird. Tiefe Kratzer oder Kerben an Aluminiumteilen können die Komponente erheblich schwächen und eine vorzeitige Fehlfunktion des Teils verursachen.

Hinweis: Bei allen sicherheitsrelevanten Komponenten raten wir Ihnen, nur Brompton Original-Ersatzteile zu verwenden.

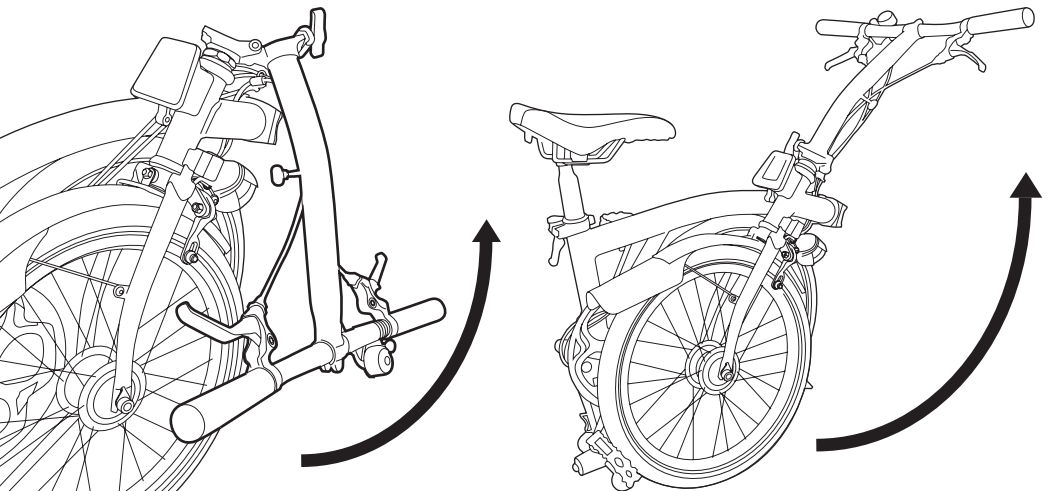
ENTFALTEN DES FAHRRADS

Nehmen Sie sich etwas Zeit, um sich das gefaltete Rad einzuprägen. Dies erleichtert es Ihnen, es später wieder korrekt zu falten.

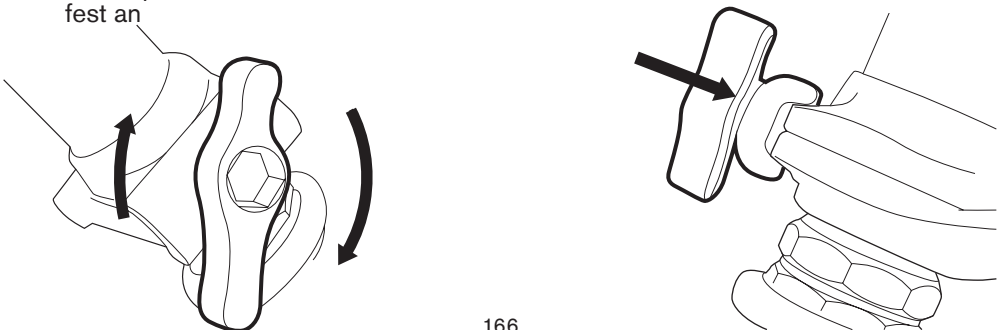
Stellen Sie sich auf die linke Seite (die ohne Antrieb) des Fahrrads. Entfalten Sie das linke Pedal, indem Sie den gezahnten Metallkäfig in Ihre Richtung ziehen. Beobachten Sie dabei, wie die schwarzen Klappen funktionieren. Dies wird Ihnen das spätere Falten erleichtern.



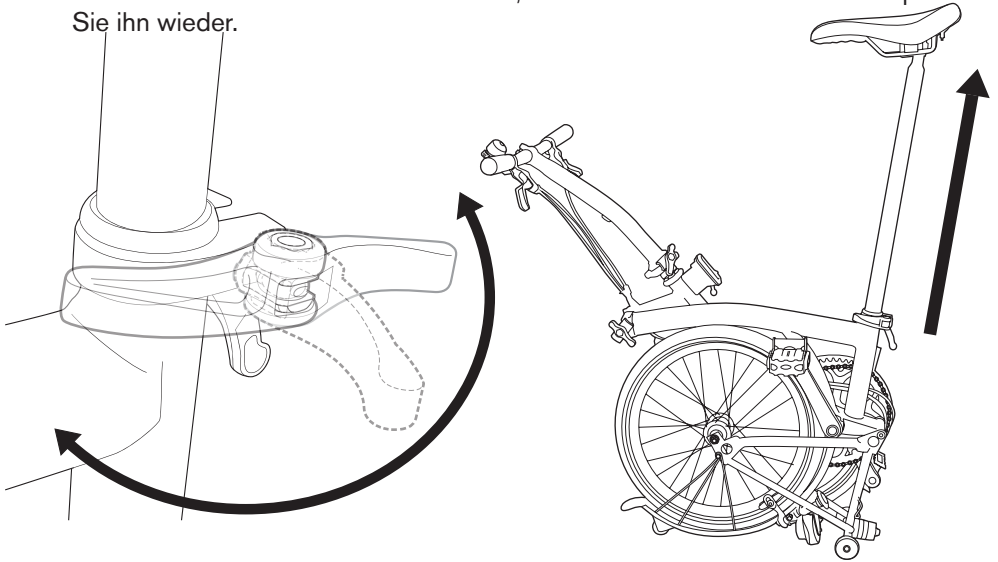
- Um die Lenkstange zu lösen, drücken Sie am für Sie nächstgelegenen Griffende mit der flachen linken Hand fest nach unten.



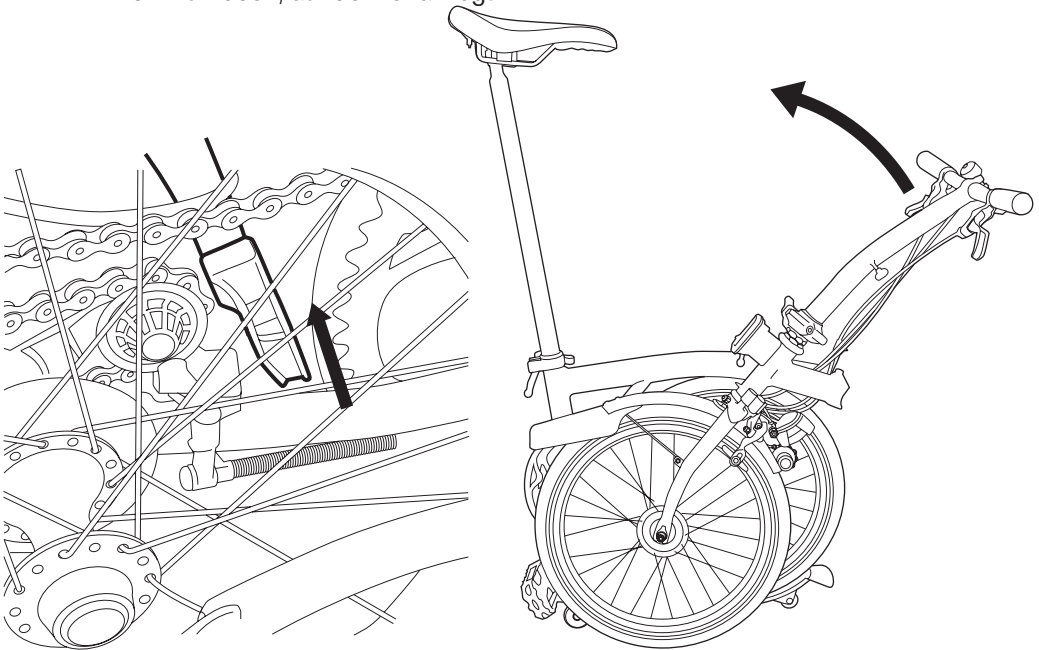
- Schwenken Sie den Lenker hoch, bis sich das Scharnier schließt, richten Sie die Klemmplatte auf das Scharnier aus und ziehen Sie die schwarze Knebelschraube fest an



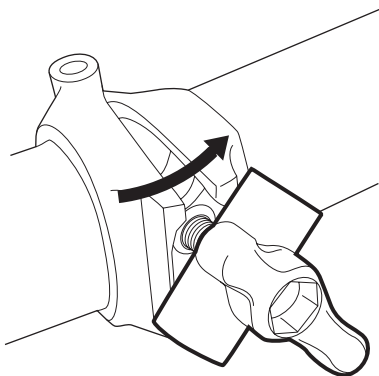
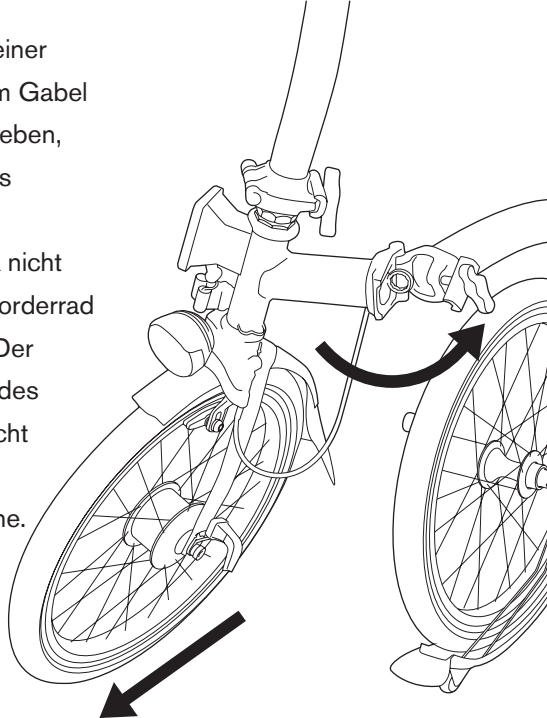
- Lösen Sie den Hebel der Sattelklemme, ziehen Sie den Sattel hoch und spannen Sie ihn wieder.



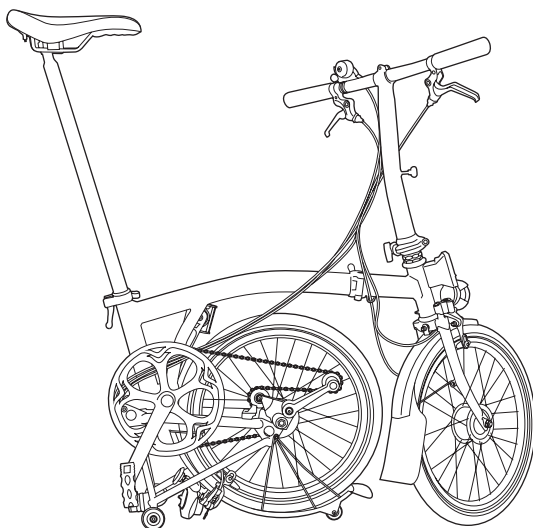
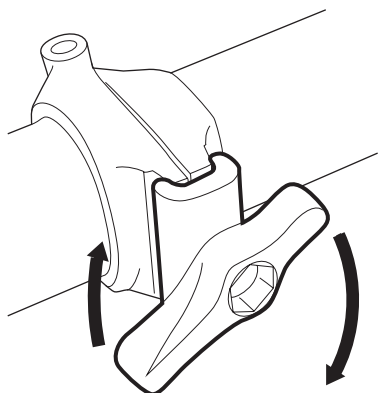
- Legen Sie die rechte Hand auf den Sattel und halten Sie den Lenkervorbau mit der linken Hand in der Nähe des Scharniers.
- Blicken Sie nach unten, wo die Kette zwischen den zwei Rädern läuft, so sehen Sie den schwarzen Haken, der das Vorderrad mit dem Rest des Fahrrads zusammenhält
- Heben Sie den Lenkervorbau mit der linken Hand hoch, um den Haken über das Rohr zu heben, auf dem er anliegt.



- Schwenken Sie die linke Hand in einer Bogenbewegung von sich weg, um Gabel und Vorderrad von sich wegzuschieben, schieben Sie bis das Scharnier des Hauptrahmens geschlossen ist.
- Drehen Sie dabei das Handgelenk nicht und achten Sie darauf, dass das Vorderrad immer in dieselbe Richtung zeigt. Der Haken bleibt dabei auf Ihrer Seite des Fahrrads und das Vorderrad ist leicht angewinkelt (also nicht parallel zum Hinterrad) und zeigt nach vorne.

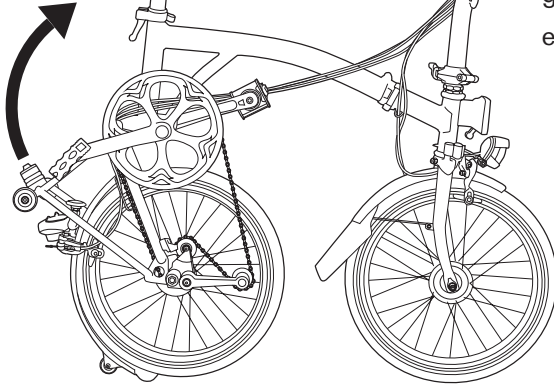


- Das Scharnier auf dem Hauptrahmen sollte jetzt geschlossen sein.
- Richten Sie die Scharnierklemmplatte aus und ziehen die schwarze Knebelschraube fest an

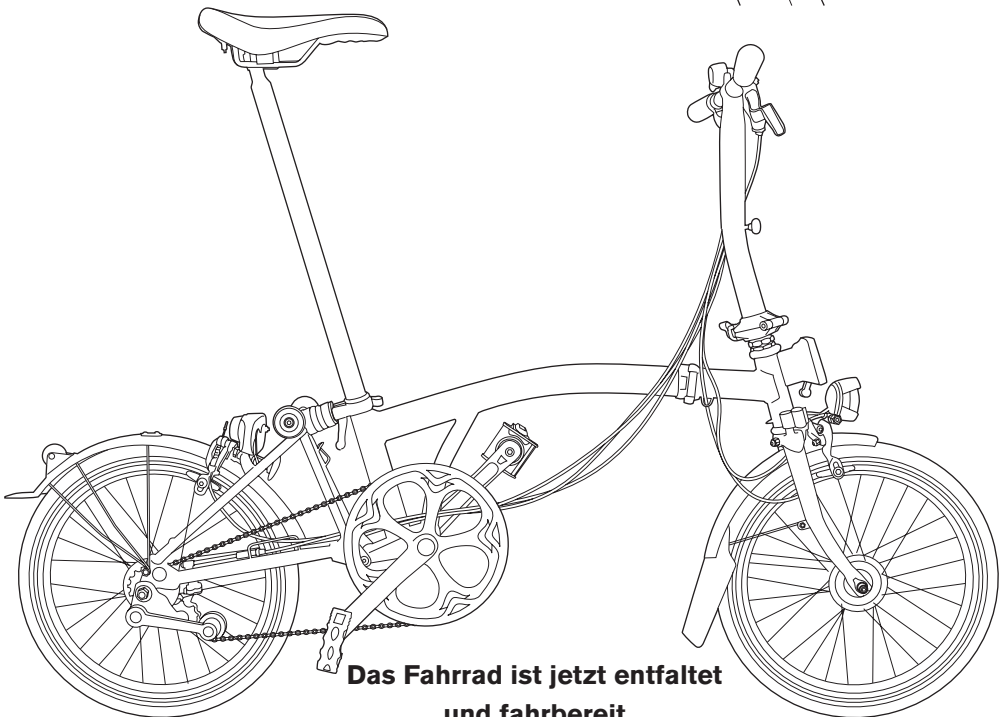
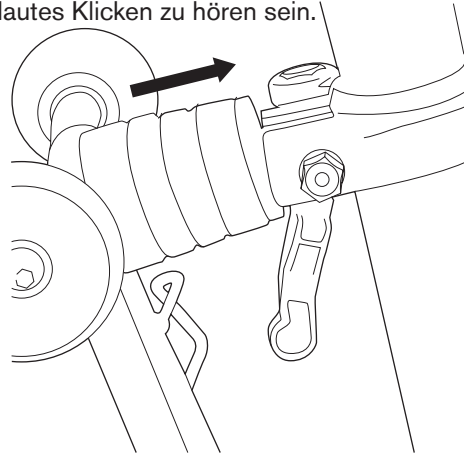


Das Fahrrad ist jetzt „geparkt“ – es steht von selbst.

- Um das Entfalten abzuschließen, halten Sie den Lenker mit der linken Hand, heben das Fahrrad mit der rechten Hand rasch am Sattel hoch und schwenken das Hinterrad rückwärts in Position.



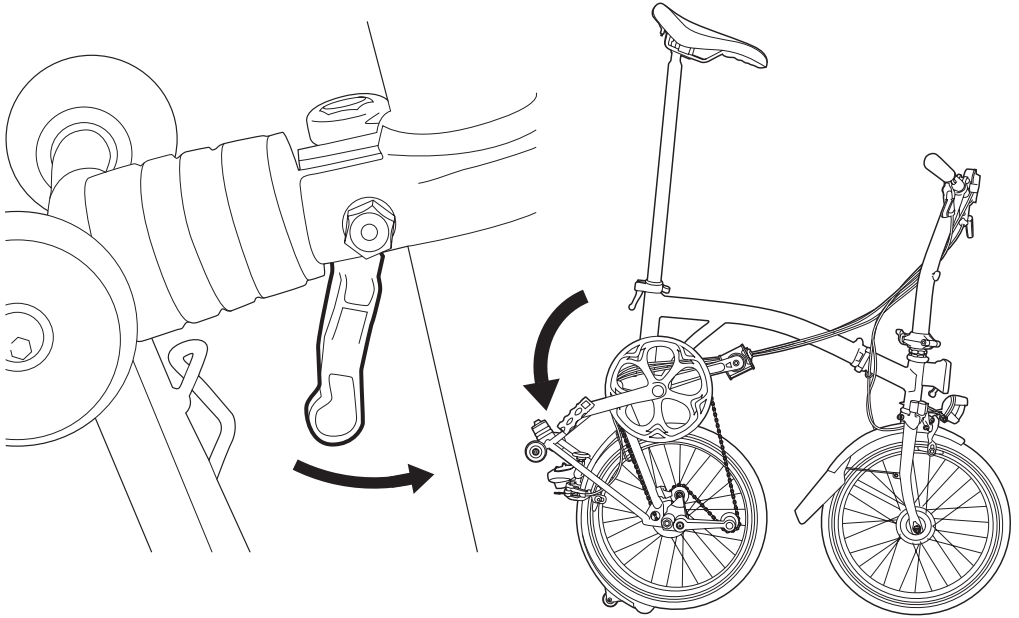
- Drücken Sie den Sattel nieder, um sich zu vergewissern, dass der Gummiblock gegen den Hauptrahmen gedrückt wird; beim Einrasten sollte ein lautes Klicken zu hören sein.



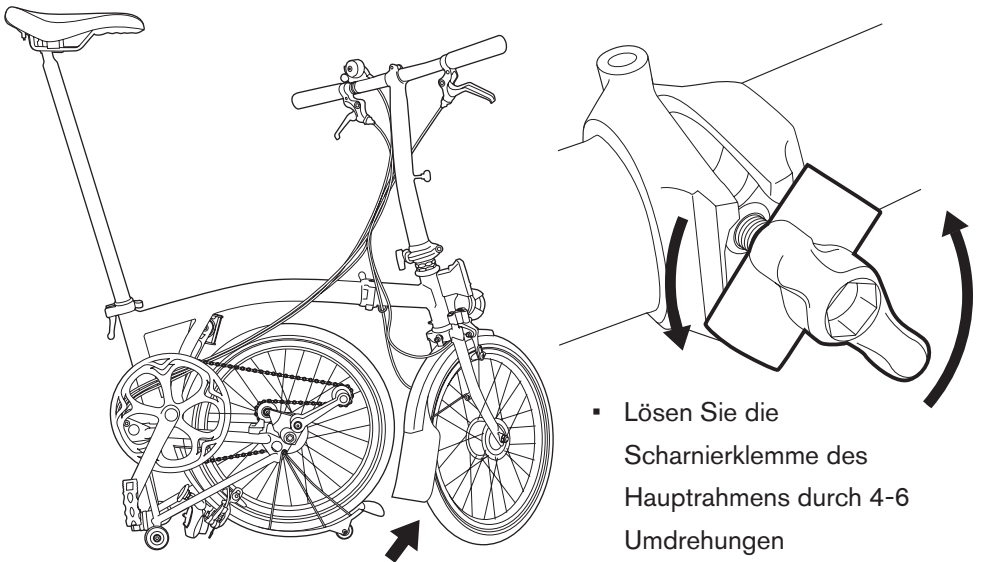
**Das Fahrrad ist jetzt entfaltet
und fahrbereit**

FALTEN DES FAHRRADS

- Drehen Sie den Lenker leicht nach links, sodass er nicht parallel zum Hinterrad steht, und drehen Sie die Kurbeln so, dass das rechte Pedal nach hinten zeigt.

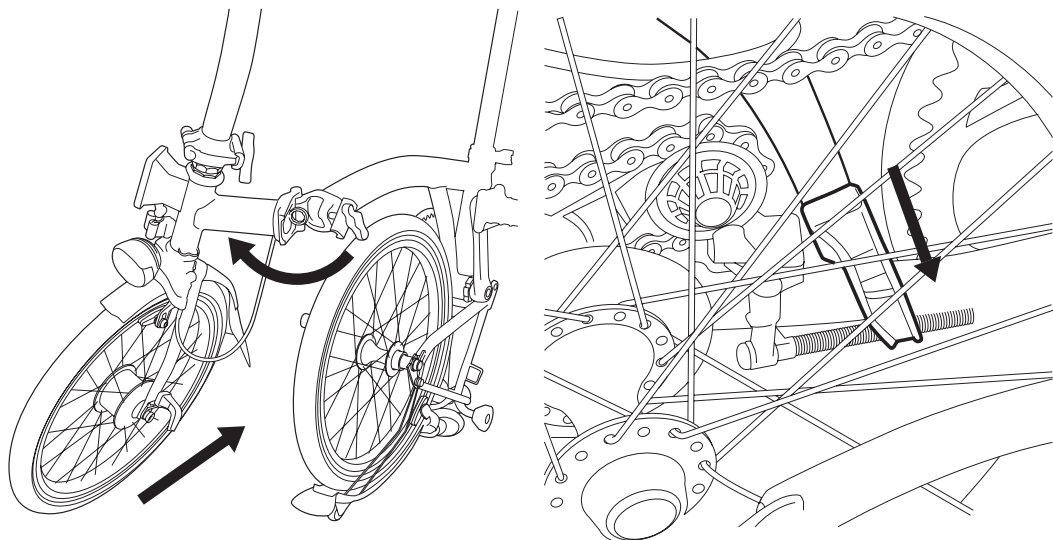


- Hinter der Sattelklemme unten befindet sich ein kleiner schwarzer Hebel. Drücken Sie diesen nach vor, heben Sie dann den Hinterbau des Fahrrads leicht an, sodass das Hinterrad unter den Rahmen schwingt, dann senken Sie das Fahrrand, sodass es in „Parkposition“ sitzt.

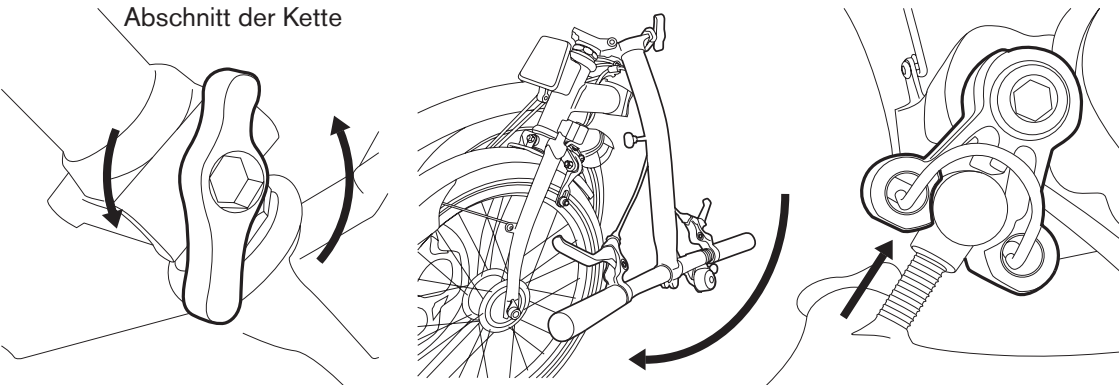


- Lösen Sie die Scharnierklemme des Hauptrahmens durch 4-6 Umdrehungen

- Halten Sie den Lenkervorbau mit der linken Hand über dem Kunststoffnippel, schwenken Sie das Vorderrad weg und nach rechts.

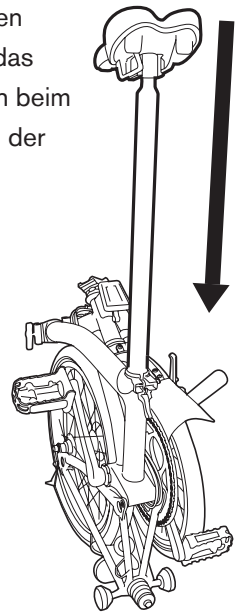
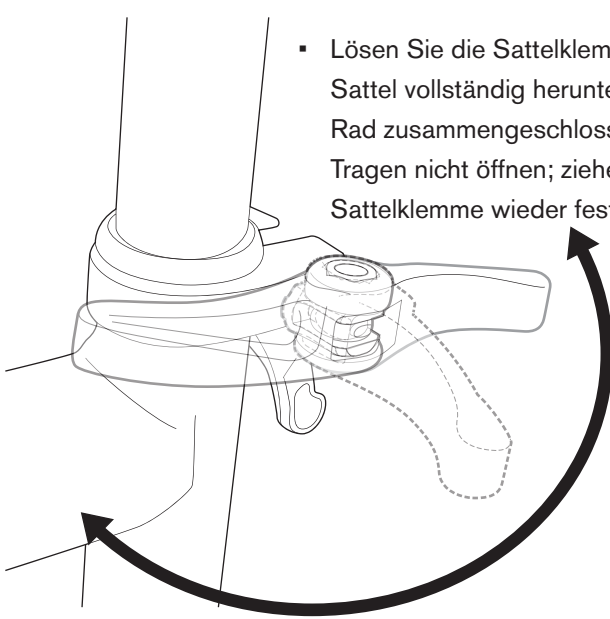


- Schwenken Sie nun den Vorbau im Uhrzeigersinn herum, ohne das Handgelenk zu drehen, wobei der Kunststoffhaken in Ihre Richtung zeigt, bis das Vorderrad sich neben dem Hinterrad befindet. Dazu müssen Sie die Vorderseite des Fahrrades möglicherweise leicht anheben.
- Senken Sie den schwarzen Haken über dem Hinterrad unter dem oberen Abschnitt der Kette

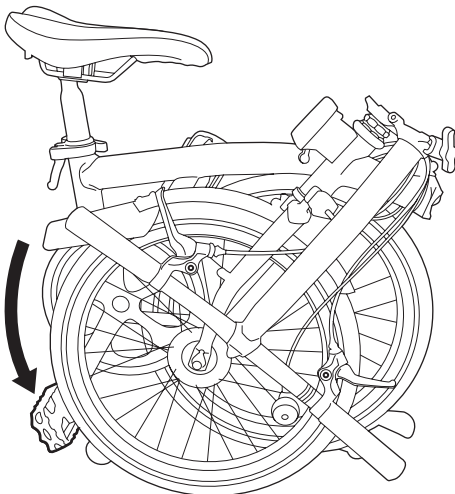


- Lösen Sie die den Hebel der Scharnierklemme am Lenkervorbau durch 4-6 Umdrehungen und lassen Sie den Lenkervorbau nach unten fallen; der Nippel des Lenkervorbaus rastet in den Clip ein, der oben auf der Gabel montiert ist und verriegelt ihn sicher am Fahrrad.

- Lösen Sie die Sattelklemme, fahren Sie den Sattel vollständig herunter, dadurch wird das Rad zusammengeschlossen und kann sich beim Tragen nicht öffnen; ziehen Sie den Hebel der Sattelklemme wieder fest.



- Ziehen Sie das linke Pedal nach oben, bis sich das rechte Pedal unten dem Vorderrad befindet.
- Falten Sie das linke Pedal, indem Sie die zentrale schwarze Platte nach oben drücken, sodass sie über dem Ende des Kurbelarms in eine vertikalen Position klappt
- Wenn Sie die Platte nicht anheben können, drehen Sie das Pedal und versuchen Sie es erneut



Das Fahrrad ist jetzt gefaltet und kann hochgehoben und getragen werden. Brompton-Sättel haben unter der „Nase“ des Sattels eine Griffplatte, die das Heben erleichtert.

Das linke Pedal sollte beim Drehen der Kurbeln (z. B. während des Entfaltens) entfaltet sein. Das gefaltete Pedal kann sich im Hinterbau verfangen und Lackschäden verursachen.

SPERRBLOCK

EINSTELLUNG

Wenn Sie Ihr Fahrrad hochheben, kann es sich nicht entfalten, weil der Sperrblock LB die Sattelstütze SP berührt, um die Bewegung des Hinterbaus zu verhindern. Der LB kann auf den richtigen Abstand zwischen LB und SP eingestellt werden. Wenn der Abstand zu gering ist, rastet die Stütze beim Entfalten des Fahrrads daran ein. Ist der Abstand zu groß, kann das gefaltete Fahrrad sich teilweise entfalten, wenn es angehoben wird.

Am einfachsten lassen sich Einstellungen des LB vornehmen, wenn das Fahrrad vollständig entfaltet und die Sattelstütze hochgefahren ist. Wenn die Sattelstütze hochgefahren ist, vergewissern Sie, dass sie mithilfe der Klemme an Ort und Stelle gesichert ist.

Um den Abstand zwischen LB und SP (Abb. 1) zu verringern, lockern Sie mit einem 4-mm-Sechskantschraubenschlüssel die Inbusschrauben in dem LB um jeweils eine halbe Drehung und fahren anschließend die Sattelstütze herunter, um zu überprüfen, ob sie Spielraum hat. Wenn der Abstand noch immer zu groß ist, lockern sie die Schrauben um einer weitere halbe Umdrehung und überprüfen Sie die Sattelstütze erneut. Wiederholen Sie den Vorgang, bis der richtige Abstand erreicht ist.

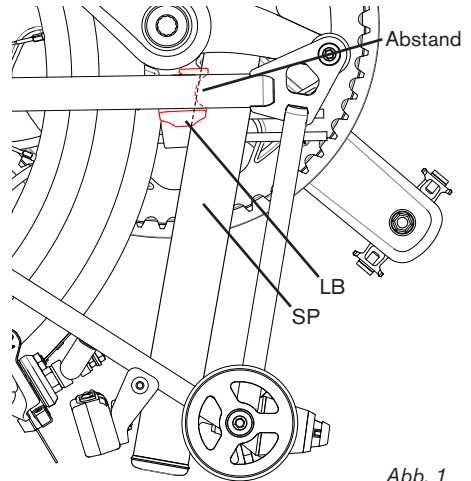


Abb. 1

DAS GEFALTETE FAHRRAD SCHIEBEN/ZIEHEN

Das Fahrrad kann in gefaltetem Zustand geschoben/gezogen werden, anstatt es anzuheben und zu tragen. Fahren Sie den Sattel in gefalteter Position hoch, bis der Unterteil der Sattelstütze in Kontakt mit dem Sperrblock kommt (Abb. 2). Da der Sperrblock noch die Sattelstütze berührt, ist das Fahrrad in gefalteter Position weiterhin gesichert, aber mit leicht hochgefahrenem Sattel. Der hochgefahrene Sattel kann als Griff verwendet werden, um das Fahrrad zu schieben/ziehen.

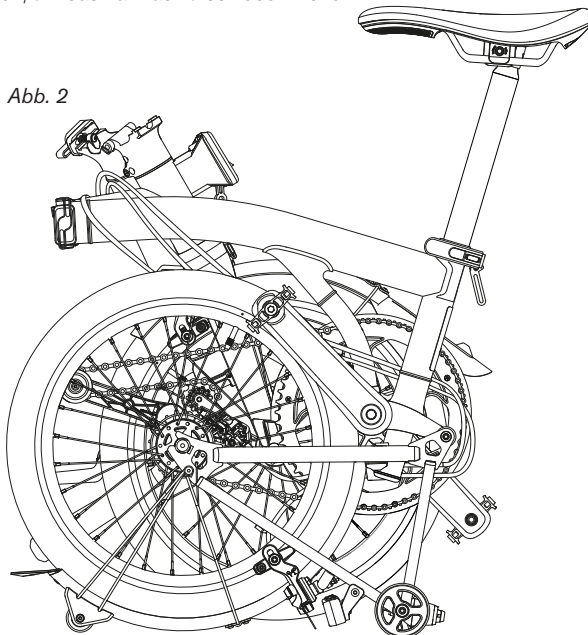


Abb. 2

BENUTZUNG DES BROMPTON

REIFENDRUCK

Der Reifendruck ist wichtig für Komfort und Sicherheit. Bitte halten Sie sich an die folgenden Tipps, um eine sichere und komfortable Fahrt zu garantieren.

Es ist wichtig, dass Ihre Reifen gut aufgepumpt sind. Zu weiche Reifen erhöhen die nötige Pedalkraft (was der Fahrt den Spaß nimmt), die Reifen nutzen sich schneller ab und auch die Lenkung wird beeinflusst. **Es wird dringend empfohlen, dass sie Ihre Reifen immer gut aufpumpen.**

Der ideale Druck hängt von Ihrem Gewicht und Ihrer Präferenz ab. Bedenken Sie auch, dass ein sehr harter Reifen nicht immer schneller ist. Ein harter Reifen ist möglicherweise auf der Radrennbahn schneller, ein niedriger Druck kann jedoch leichter Unebenheiten und einen rauen Belag ausgleichen und deshalb schneller abrollen und die Fahrt angenehmer machen. Im Allgemeinen wird ein etwas geringerer Druck im Vorderrad und ein etwas höherer im Hinterrad empfohlen; der Grund ist die unterschiedliche Gewichtsverteilung zwischen den beiden Reifen.

Brompton-Fahrräder sind mit Shraderventilen ausgestattet, die auf mehrere Arten aufgepumpt werden können. Die Brompton-Pumpe ist auf dem Hinterbau von Brompton-Rädern komplett aus Stahl mit Schutzblechen montiert. Wenn Sie die Pumpe des Fahrrads austauschen, achten Sie darauf, dass sie auf den Pumpenhaltern des Hinterbaus vollständig einrastet. Sie können auch eine übliche Fuß- oder Handpumpe oder eine Druckluftleitung verwenden, wie sie an Tankstellen zu finden ist.

Die Tabelle unten zeigt den empfohlenen Reifendruck für Reifen des Brompton P Line-Fahrrads.

	MARATHON RACER		SCHWALBE ONE		CONTINENTAL CONTACT URBAN	
	Mind. (psi)	Max. (psi)	Mind. (psi)	Max. (psi)	Mind. (psi)	Max. (psi)
VORNE	65	110	65	100	65	116
HINTEN	65	110	65	100	65	116

DREHMOMENTWERTE

Hier wird eine Liste von Drehmomentwerten für die wichtigen Komponenten angeführt.

Diese Teile müssen regelmäßig und auch während der routinemäßigen Wartung und Reparatur des Fahrrads überprüft werden.

Wenn Komponenten nicht mit dem korrekten Drehmoment festgezogen werden, kann dies zu einer Beschädigung oder Fehlfunktion des Teils führen. Dies kann den Verlust der Kontrolle über das Fahrrad verursachen und zu einem Unfall führen.

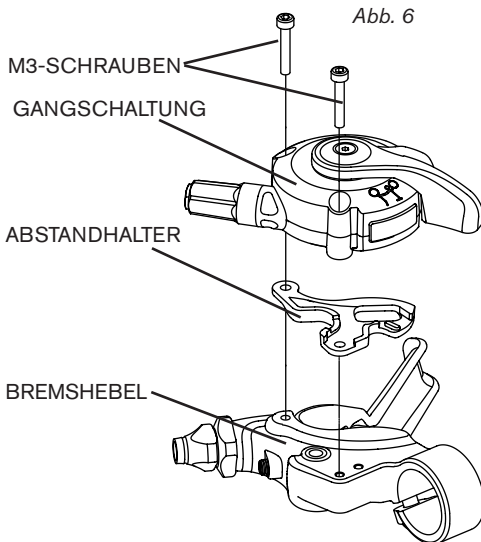
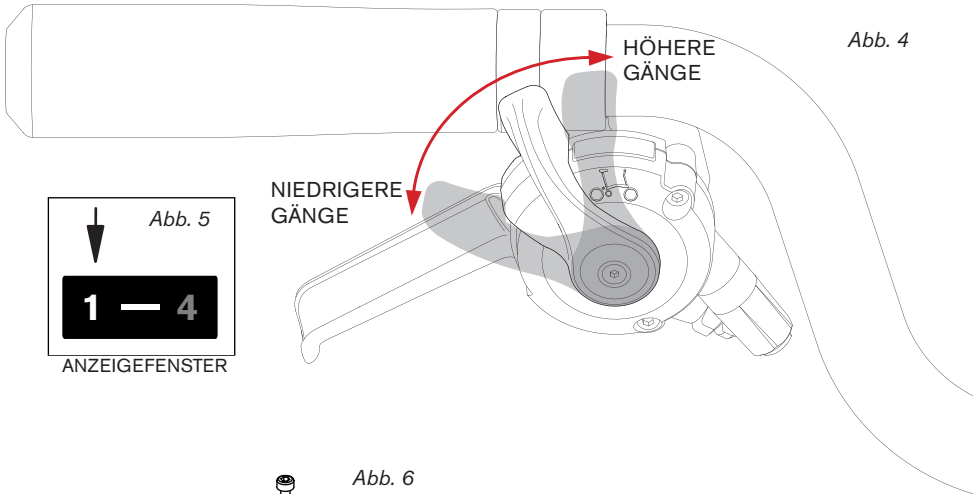
*Ändern Sie niemals, die Höhe des Lenkervorbaus dort, wo er in die vorderen Gabeln eintritt. Er muss vollständig bis zum Stopp in die Gabel eingeführt sein. Überprüfen Sie bei der Anpassung der Ausrichtung des Lenkers auf das Vorderrad, ob der Befestigungsbolzen korrekt festgezogen ist, bevor Sie das Fahrrad benutzen.

Wenn der Lenkervorbau nicht vollständig eingeführt oder nicht korrekt festgezogen ist, kann dies zu einer Bewegung oder Fehlfunktion des verwendeten Teils führen.

Teilename	Drehmoment (Nm)
Vorderradbefestigung	7
Hinterradbefestigung	7
Bremshebel-Schrauben	2
Kettenspanner-Spezialmutter	5
Kettenblatt-Schrauben	10
Kurbelschrauben	30
Dynamo/Superlight Vorderradachse	8
Befestigungsschrauben vorderer Trägerblock	4,5
Befestigungsschraube Haken Vorderrad	3,5
Lenkerstützen-Klemmspindel*	30
Lenkerverriegelungs-Hakenschraube	9
Lenkerspannschraube	18
Bremssattel-Mutter	8
Bremskabel (Sattel)-Spannschraube	8
Pedale	30
Pentaclip	10
Schutzblechstreben-Befestigungen	2
Hintere Gelenkbolzen	10
Umwerfer-Montageschraube	2

BROMPTON VIERGANGSCHALTUNG

Die Viergangschaltung verwendet einen Hebel mit automatischer Rückstellfunktion zwischen den vier Gängen. Durch Niederdrücken mit dem Daumen wird in einen leichteren Gang geschaltet und durch Hochziehen des Hebels in einen härteren Gang (Abb. 4). Für leichteres Schalten oder um eine Beschädigung der entsprechenden Komponenten zu vermeiden, wird empfohlen, beim Wechseln der einzelnen Gänge die Pedale zu treten. Das Anzeigefenster zeigt an, welcher Gang ausgewählt wurde (Abb. 4, 5).



EINBAU DER GANGSCHALTUNG

Die Gangschaltung ist direkt am linken Bremshebel montiert, sie ist mit zwei M3-Schrauben befestigt. Diese sollten auf **0,6 Nm** festgezogen werden. Ziehen Sie die Schrauben nicht zu fest an, dies kann die Leistung der Gangschaltung verringern und die Teile beschädigen.

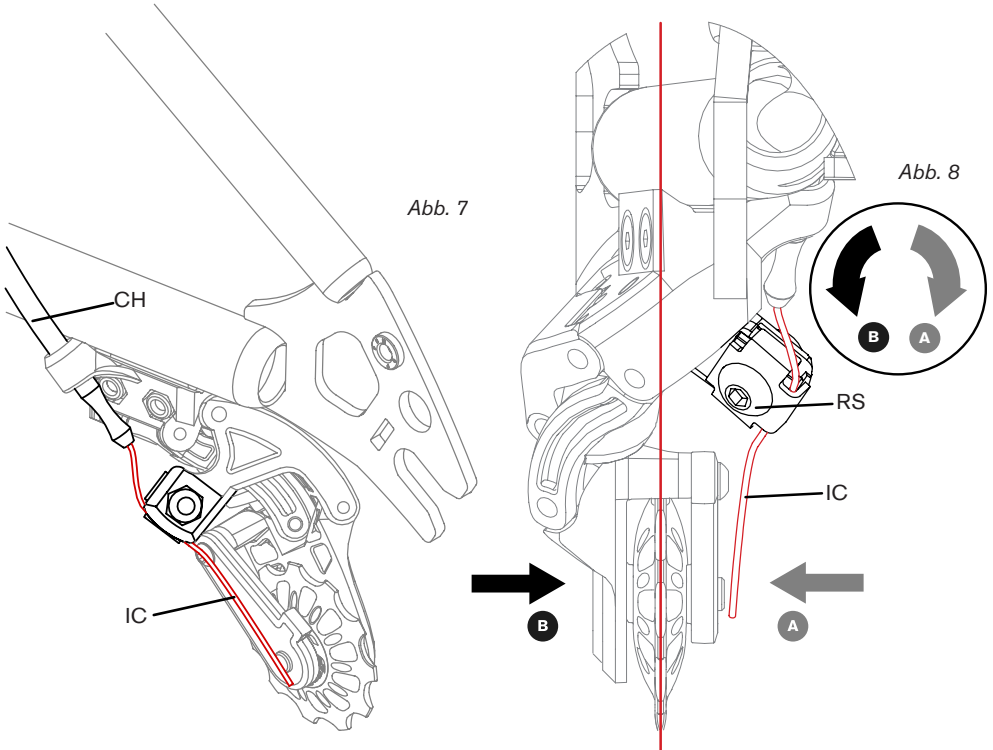
Standardmäßig wird ein Abstandhalter (Abb. 6) zwischen Schalthebel und Bremshebel montiert. Dieser Abstandhalter ist unerlässlich, um den Abstand zwischen dem Gangschalthebel und den Griff zu sichern.

WARTUNG

Es ist unerlässlich, dass die wichtigsten funktionalen Komponenten, wie die Kette, die Kassette und der Umwerfer sauber gehalten und geschmiert werden. Wenn diese Komponenten sauber gehalten werden, verlängert dies ihre Lebensdauer und sie funktionieren besser. Wenn sich auf den Antriebs-elementen Fett und Schmutz ansammelt, funktioniert das Getriebe möglicherweise nicht ordnungsgemäß.

EINSTELLUNG

Wenn die Gangschaltung lauter als normal wird oder zu springen beginnt und dies nicht durch Verschmutzung der Teile verursacht wird, kann eine Kabeldehnung die Ursache sein. Dies tritt besonders häufig bei neuen Fahrrädern auf oder wenn neue Kabel eingebaut wurden. Dies kann durch Hinzufügen von Spannung zum Kabel behoben werden. **Siehe Anweisungen zur Kabelspannung unten.** Auch ein nicht ordnungsgemäß ausgerichteter Umwerfer kann dieses Problem verursachen, obwohl dies gewöhnlich den höchsten und den niedrigsten Gang beeinträchtigt. In diesem Fall müssen Sie die beiden Begrenzungsschrauben LS an der Außenseite des Umwerfers einstellen. **Siehe Anweisungen zu Begrenzungsschrauben unten.**



KABELSPANNUNG

Um aufgrund von Kabelstreckung verlorene Spannung hinzuzufügen, platzieren Sie das Fahrrad in einem Ständer. Lockern Sie die Einstellschraube (Abb. 10) nach außen jeweils um eine Vierteldrehung. Treten Sie dabei die Pedale des Fahrrads und hören Sie auf die Lärmreduktion. Eine Sichtprüfung kann ebenfalls durchgeführt werden, um sicherzustellen, dass das Tastrad auf dem Umwerfer auf den ausgewählten Ritzel auf der Kassette ausgerichtet ist. Wenn das Fahrrad den größten Ritzel nicht erreicht, bedeutet dies, dass zu viel Spannung hinzugefügt wurde. Drehen Sie die Einstellschraube einwärts, um dieses Problem zu beheben (Abb. 10). Wenn das ursprüngliche Problem dadurch nicht behoben wird, wechseln Sie auf den kleinsten Ritzel auf der Kassette, lösen Sie anschließend den Bolzen, der das Kabel an der Innenseite des Umwerfers hält (Abb. 7, 8). Ziehen Sie das innere Kabelende IC mit einer kleinen Zange, um die Kabelspannung zu erhöhen und ziehen Sie anschließend den Bolzen RS fest (Abb. 8).

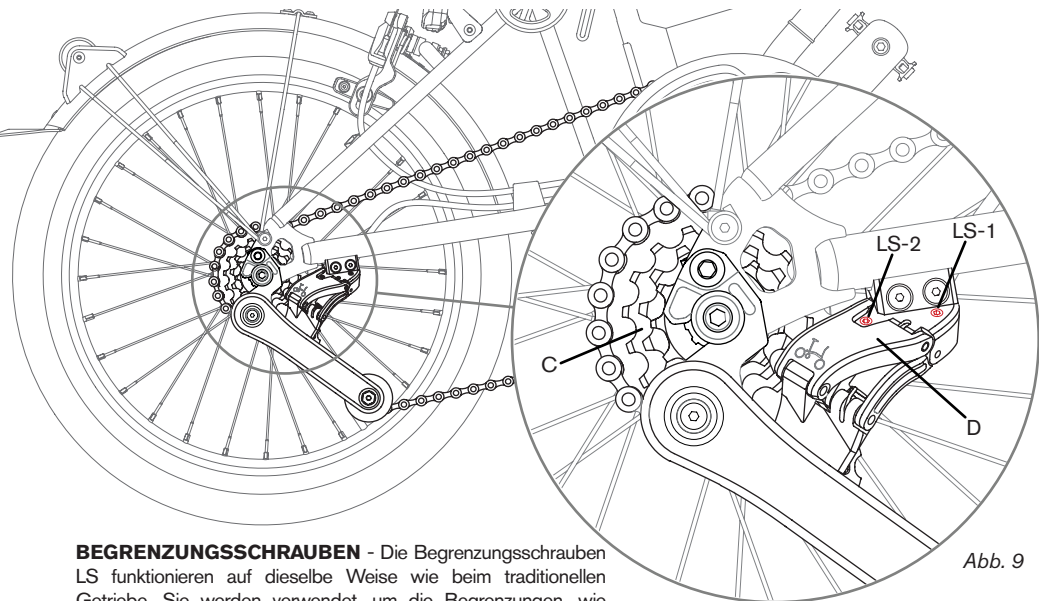


Abb. 9

BEGRENZUNGSSCHRAUBEN - Die Begrenzungsschrauben LS funktionieren auf dieselbe Weise wie beim traditionellen Getriebe. Sie werden verwendet, um die Begrenzungen, wie weit der Umwerfer die Kette nach innen oder außen führen kann, einzustellen. Wenn es ein Problem mit dem Erreichen des höchsten oder niedrigsten Gangs gibt, muss möglicherweise die Begrenzungsschraube eingestellt werden.

LS-1 Wird verwendet, um eine Ausrichtung auf dem größten Ritzel der Kassette vorzunehmen. LS-2 wird für den kleinsten verwendet (Abb. 8).

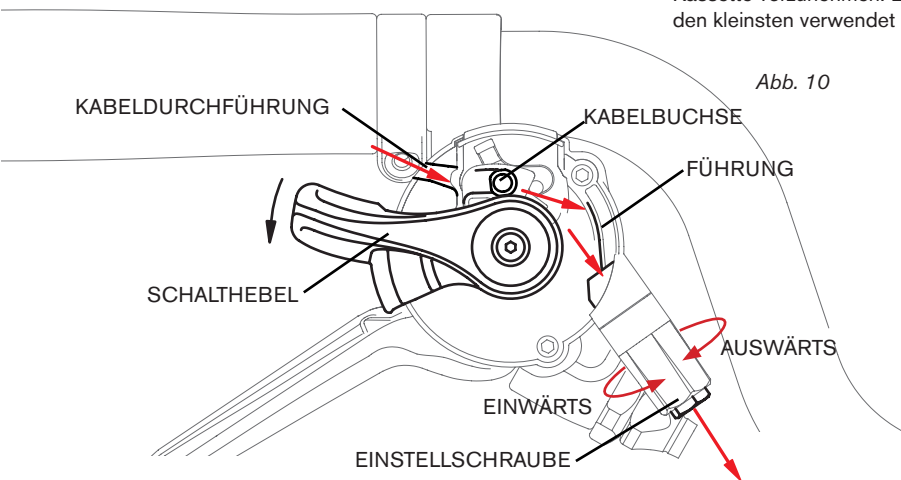


Abb. 10

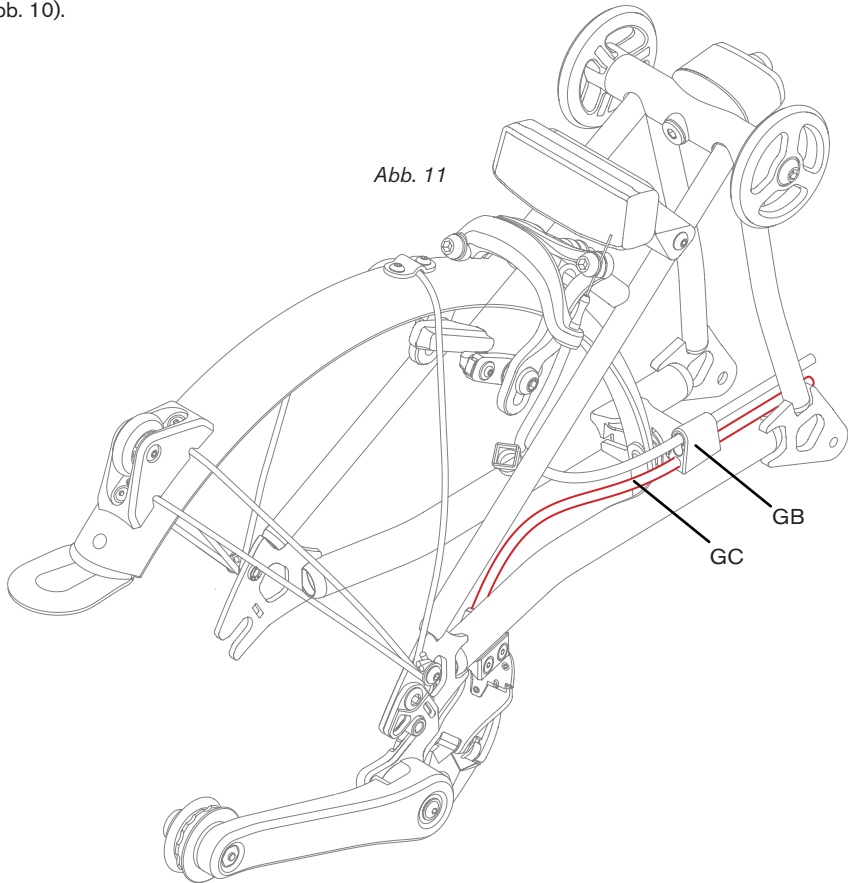
MONTAGE EINES NEUEN KABELS

- Drehen Sie die Spannschraube vollständig im Uhrzeigersinn, sodass sie auf ihrer kürzesten Einstellung ist, dann lockern Sie sie um 2 Umdrehungen.
- Wählen Sie den niedrigsten Gang (1) und drücken Sie dann den Schalthebel nach unten, sodass er nicht die Kabeldurchführung verdeckt.
- Führen Sie das Gangkabel in einer leichten Abwärtsbewegung in die Schaltung und durch die Buchse.
- Wenn es beim Schieben des Kabels durch die Buchse einen Widerstand gibt, ziehen Sie das Kabel etwas zurück und versuchen Sie es erneut.
- Wenn spüren, dass das Kabel durch die Buchse kommt, führen Sie es weiter ein, bis Sie einen leichten Widerstand spüren.
- Führen Sie es weiter ein, sodass es der Führung in der Schaltung folgt und durch die Spannschraube wieder austritt.

FÜHREN SIE DAS KABEL NICHT GEWALTSAM EIN, DIES KANN DIE SCHALTUNG BESCHÄDIGEN.

EINSTELLUNG DER GÄNGE

- Führen Sie das innere Kabel IC in das Kabelgehäuse ein.
- Führen Sie es ganz ein, sodass es am Ende des Gehäuses austritt
- Führen Sie das Kabel am Fahrradrahmen denselben Weg entlang wie das vorhandene Kabel. Das ist unerlässlich für das Zusammenfallen.
- Wenn das Kabel den Hinterbau erreicht, führen Sie es durch den Anschlagblock (Abb. 11)
- Verwenden Sie eine Nadelzange oder etwas Ähnliches, um das Kabel durch das Gehäuse zu ziehen und vollständig in den Umwerfer einzufügen
- Ziehen Sie den Bolzen fest, der das Kabel an der Innenseite des Umwerfers an Ort und Stelle hält (Abb. 8)
- Verwenden Sie die Spannschraube auf der Gangschaltung, um die Kabelspannung wie erforderlich einzustellen (Abb. 10)
- Durch Lockern der Spannschraube wird mehr Spannung zu dem Kabel hinzugefügt und das Schalten in den niedrigeren Gang erleichtert (Abb. 10)
- Wird die Stellschraube einwärts gedreht, wird die Spannung verringert und das Schalten in einen höheren Gang erleichtert
- Das Tastrad auf dem Umwerfer muss auf das ausgewählte Ritzel auf der Kassette ausgerichtet sein (Abb. 10).



BREMSEN

Sie sollten Ihre Bremsen regelmäßig einstellen, denn sie sind wichtig für Ihre Sicherheit. Die Zeit zwischen den Einstellungen variiert je nachdem, wie häufig Sie Ihr Brompton benutzen. Wenn Ihre Bremshebel bei Betätigung den Lenker berühren, müssen Ihre Bremsen dringend eingestellt werden. Die Bremsen sollten so eingestellt sein, dass die Bremsbeläge möglichst nah an den Felgen anliegen, ohne die Drehung der Räder zu behindern. Die Einstellung erfolgt anhand des verschraubten Kabelanschlags am Bremshebel. Wenn Sie unsicher sind, wie Sie dies tun sollen, lassen Sie die Einstellung von einem Brompton-Händler oder qualifizierten Fahrradtechniker vornehmen.

- Beim Einstellen der hinteren Bremse sollte das Rad entfaltet sein.
- Beim Einstellen der vorderen Bremse stellen Sie die Bremsbeläge nicht so dicht an der Felge ein, dass sie beim Lenken nach links oder rechts mit der Felge in Berührung kommen.
- Ersetzen Sie Ihre Bremsbeläge, wenn das Profil auf der Oberfläche weniger als 1 mm beträgt.

Wenn Sie die Felgen und Bremsbeläge sauber halten, verbessert dies Ihre Bremsleistung und erhöht die Lebensdauer der Beläge und Felgen. Die schwarzen Rückstände, die sich auf den Felgen ablagern, sind eine Mischung aus Schmutz, Belagabrieb und Aluminiumstaub von der Bremsfläche der Felge. Diese Rückstände sind aggressiv und beschleunigen den Verschleiß von Felge und Belägen. Prüfen Sie beim Reinigen der Beläge und Felgen den Verschleiß und ersetzen Sie abgenutzte Felgen oder Beläge sofort.

BELEUCHTUNG

Bei Brompton-Händlern sind zwei Beleuchtungsoptionen verfügbar, ein akkubetriebenes Vorder- und Rücklicht und ein Nabendynamo-System, das während des Fahrens Strom erzeugt. Diese Brompton Beleuchtungssets können auf jedem Fahrradmodell montiert werden. Bitte verwenden Sie diese Beleuchtung in Übereinstimmung mit örtlichen Gesetzen. Technische Informationen bezüglich der Inbetriebnahme der Akkulampen und des Nabendynamo-Systems finden Sie im technischen Abschnitt unserer Webseite <https://www.brompton.com>

DER HINTERBAU-CLIP

Um den Hinterbau zu entriegeln, drücken Sie den kleinen Hebel (Abb. 12) nach vorne und heben das Fahrrad hoch, sodass sich der Haken vom Gummiblock löst und das Hinterrad unter den Rahmen schwingt. Senken Sie das Fahrrad wieder in die Parkposition.

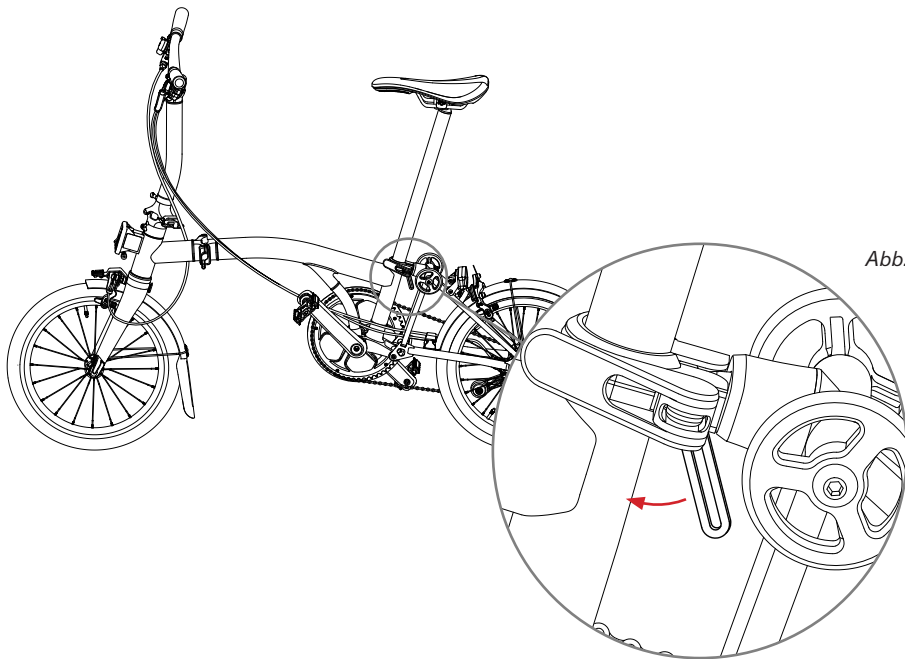


Abb. 12

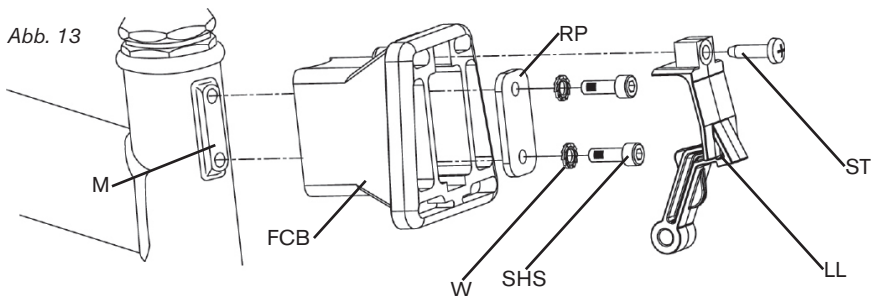
TASCHEN

Brompton bietet verschiedene Taschen an, die Sie auf Ihrem Brompton einbauen können. Sie haben eine Ladekapazität bis zu 10 kg vorderen und 10 kg auf dem hinteren Gepäckträger. Bitte beachten Sie vor der Verwendung die Anweisungen für alle Taschenvarianten. Die Verwendung von falschen Taschen kann das Lenken beeinträchtigen und gefährlich sein.

Hinweis: Alle Fronttaschen von Brompton sind für die Verwendung mit M, H und P Type-Bromptons geeignet, aber der T-Tasche, C-Tasche und der Faltkorb sind nicht für S-Type-Bromptons geeignet.

VORDERER TRÄGERBLOCK

- Überprüfen Sie, ob Sie alle Teile haben, die in der Zeichnung aufgeführt sind (Abb.13)
- Entfernen Sie bei der Erstmontage die zwei Stellschrauben im angelöteten Montageblock M; ältere Fahrräder verwenden eine schwarze Nylosschraube mit Schlitz, neuere Fahrräder eine Stahlschraube mit 2,5-mm-Sechskant.
- Es ist entscheidend, dass Sie keine der Fächerscheiben W auslassen, wenn Sie Halteplatte RP montieren und dass auf die Zylinderschrauben SHS das richtige Drehmoment ausgeübt wird.
- Die blaue Auflage auf der Schraube hält die Schrauben an Ort und Stelle; manipulieren oder entfernen Sie diese Auflage nicht und setzen Sie sie keiner Feuchtigkeit aus, da dies die Sperrfunktion erheblich beeinträchtigt.
- Die Schrauben dürfen nach der Erstmontage nicht wieder eingebaut werden; die blaue Auflage funktioniert nicht richtig.
- Die Schrauben müssen durch die Brompton-Ersatzteil-QFCB-SCHRAUBEN oder zwei M5x16-Inbusschrauben, Klasse 12.9 DIN 912, auf die vor der Montage mittelstarkes Schraubensicherungsmittel aufgetragen wurde, ersetzt werden



MONTAGEANWEISUNGEN

Sie brauchen einen 4-mm-Inbusschlüssel und einen Posidrive Schraubendreher. Montieren Sie die Halteplatte RP und eine der M5-Zylinderschrauben SHS zusammen mit der Zahnscheibe W im Gehäuse des vorderen Trägerblocks FCB. Richten Sie dies korrekt auf das Steuerrohr des Fahrrads aus, wie abgebildet.

- Fügen Sie die erste Schraube zwei oder drei Umdrehungen weit ein; nicht vollständig festziehen
- Fügen Sie die zweite Schraube ein und ziehen Sie sie mit der Fächerscheibe W nach
- Ziehen Sie beide Schrauben endgültig auf ein Drehmoment von 4.5Nm fest
- Führen Sie das untere Ende des Verriegelungshebels LL durch das Loch an der Basis des vorderen Trägerblocks FCB ein und positionieren Sie dann den oberen Teil des Verriegelungshebels im Inneren des Trägerblocks, während Sie den unteren Teil des Verriegelungshebels halten.
- Führen Sie die Blechschraube ST durch das Loch im Verriegelungshebel und befestigen Sie sie sicher im Trägerblock.
- Die Blechschraube ST muss vollständig festgezogen sein, sodass der Verriegelungshebel eingerastet ist, andernfalls ist er wirkungslos und Gepäck kann herunterfallen, was gefährlich ist.

REINIGUNG UND SCHMIERUNG

Damit die Fahrradkomponenten sicher und effizient funktionieren, ist es wichtig, diese von Zeit zu Zeit zu schmieren. Wir empfehlen, dies regelmäßig zu tun, gewisse Teile benötigen sogar häufigere Schmierung.

Die Kette muss für müheloses Fahren gut geschmiert sein. Tragen Sie Kettenschmiermittel auf, während Sie die Pedale rückwärts drehen und achten Sie darauf, dass es in die Rollen fließt. Lassen Sie das Öl einwirken, indem Sie die Pedale weiter rückwärts drehen und wischen Sie dann alles Überschüssige ab.

Denken Sie beim Schmieren der Kette daran, dass Sie die Rollen und nicht die Laschen schmieren wollen. Schmiermittel auf den Laschen erhöhen in keinem Fall die Effizienz der Antriebselemente Kette, Kettenblatt, Zahnkränze, Kurbeln, Pedale usw., sondern ziehen einfach nur Schmutz an. Die beste Methode besteht darin, einen Tropfen Schmiermittel sorgfältig auf jede Rolle aufzutragen. Dies dauert länger, als nur im Rücklauf Öl auf die Kette zu träufeln, aber es sorgt dafür, dass das Schmiermittel dorthin gelangt, wo es notwendig ist und nirgendwohin sonst.

Die Knebelschrauben der Scharnierklemmen und die Unterlegscheibe sollten gelegentlich geschmiert werden. Auch die Scharnierklemmen lassen sich leichter öffnen, wenn Sie ganz wenig Schmierfett auf den Innenseiten auftragen.

Die Nabenschaltung und die Kugellager sind gekapselt. Es empfiehlt sich, diese erst im Rahmen eines umfangreichen Services von einem Fahrradmechaniker schmieren zu lassen.

Wenn Sie Ihr Brompton schmieren, achten Sie darauf, dass kein Fett oder Öl auf die Sattelstütze oder die Felgen gelangt. Jedes Mehrzweckfett guter Qualität leistet zufriedenstellende Dienste. Bei der Kette liefern „trockene“ Schmiermittel mit guten Fließeigenschaften die besten Ergebnisse. Beachten Sie den Umwelteinfluss der Schmiermittel und Fette, die Sie verwenden.

Zur Reinigung des Fahrrades empfehlen wir einen Eimer mit heißem Seifenwasser und einen Schwamm. Verwenden Sie keinen Schlauch oder Hochdruckreiniger. Dadurch kann Wasser in die Lager und beweglichen Teile gedrückt werden, Schmiermittel kann austreten und dies kann Korrosion verursachen.

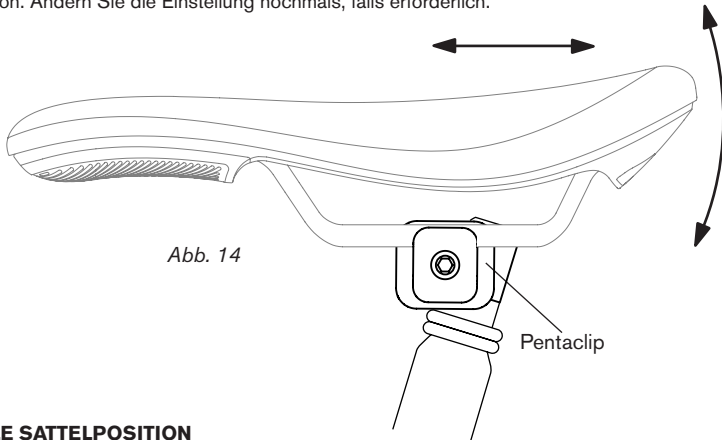
EINSTELLUNG DER SATTELPOSITION

Der Winkel und die horizontale Position des Sattels können eingestellt werden. Um herauszufinden, welche Position für Sie am bequemsten ist, beginnen Sie am besten mit einer neutralen Position und arbeiten sich von dort an die beste Position heran. Lösen Sie dazu den Pentaclip mit einem 5-mm-Inbusschlüssel, bis der Sattel ohne besonderen Kraftaufwand bewegt werden kann. Achten Sie darauf, nicht auch diese Schraube zu lockern, da dies die Einstellung erschwert.

Verschieben Sie die Sattelschienen in der Halterung so, dass sie ungefähr in der Mitte sind (auf halber Strecke zwischen der maximalen vorderen und hinteren Position). Bringen Sie den Sattel anschließend in die Waagrechte, sodass die Satteloberseite ungefähr waagrecht zwischen der Vorder- und Hinterkante liegt (Abb. 14). Wenn der Sattel in einer neutralen Position ist, ziehen Sie den Pentaclip auf 10 Nm an. Testen Sie die Sattelposition, Sie können sie einstellen und bequemer machen.

WINKEL

Drückt Sie nun die Sattelnase oder bietet Ihnen die hintere Sattelkante nicht genügend Halt, so neigen Sie diese leicht nach unten. Der Sattel kann sich umgekehrt so anfühlen, als müsse er etwas nach hinten gekippt werden, um von der Sattelnase her mehr Halt zu bieten, oder er fühlt sich an, als ruhe das Gewicht des Fahrers auf dem hinteren Teil des Sattels. Wenn Sie den Sattel eingestellt haben, ziehen Sie den Pentaclip wieder an und testen Sie die nun gewählte Position. Ändern Sie die Einstellung nochmals, falls erforderlich.



HORIZONTALE SATTELPOSITION

Das Vor- und Zurückschieben des Sattels aus der neutralen Position beeinflusst nicht nur die Griffweite (Distanz zum Lenker), sondern auch die relative Position zu den Pedalen. Durch das Zurückschieben des Sattels vergrößert sich die Griffweite zum Lenker, und das Fahrrad wird gestreckt. Schieben Sie den Sattel ganz nach vor, verkürzt sich die Distanz zum Lenker und die Sitzposition wird aufrechter. Testen Sie das Fahrrad und ändern Sie wenn nötig die Einstellung. Achten Sie darauf, den Pentaclip sicher mit 10Nm anzuziehen.

ZUSÄTZLICHE SATTELHÖHE

Wenn Sie die Sattelstütze maximal ausziehen und für Sie der Sattel noch immer zu tief ist, so bietet Brompton Ihnen zwei Möglichkeiten, um die gewünschte Höhe zu erreichen: eine Teleskop-Sattelstütze und eine um 60 mm verlängerte Sattelstütze. Die Teleskopstange erfüllt die Bedürfnisse sehr großer Fahrer, wobei sie das Faltmaß nur geringfügig vergrößert.

Die Position des Lenkers und die Schalthebel auf dem Brompton sind werkseitig so eingestellt, um den besten Kompromiss zwischen Kompaktheit und Fahrkomfort zu erreichen. Nehmen Sie Änderungen vor, liegen der gefaltete Lenker oder der Vorbau nicht mehr so dicht am Vorderrad wie normal und das Faltmaß ist vergrößert.

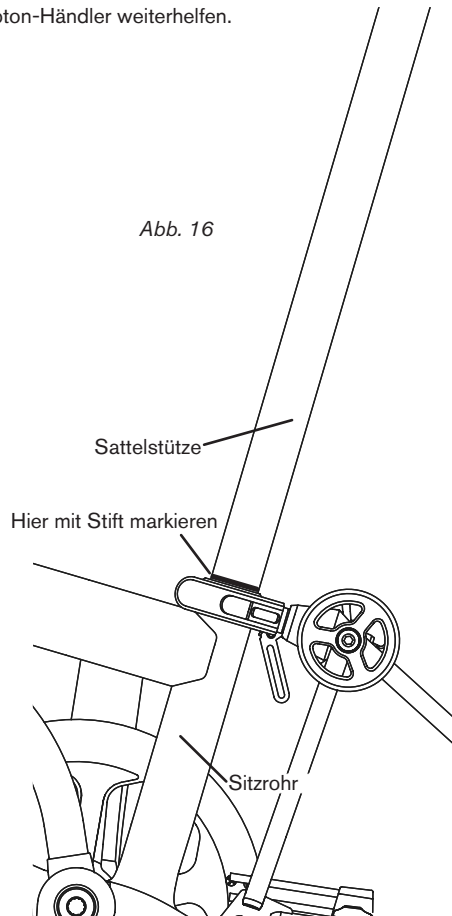
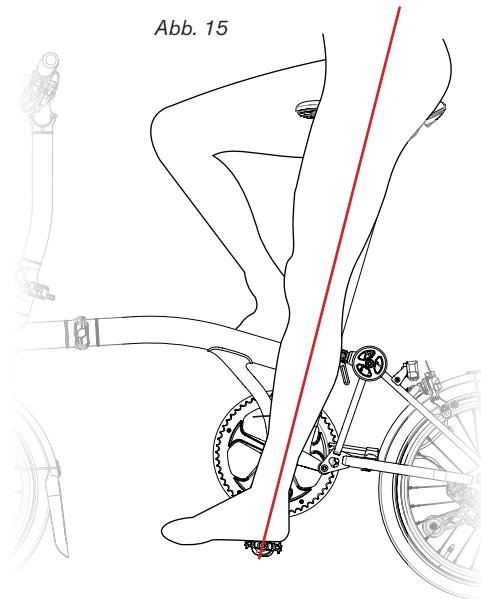
Wenn Bausatz des Lenkervorbaus aus irgendeinem Grund anders eingestellt werden muss, wird empfohlen, diese Einstellungen von einem autorisierten Brompton-Händler oder einem zertifizierten Fahrradtechniker vornehmen zu lassen. Die Klemmschraube sollte mit einem Drehmoment von 10Nm festgezogen werden.

MONTAGE DES SATTELHÖHENEINSATZES

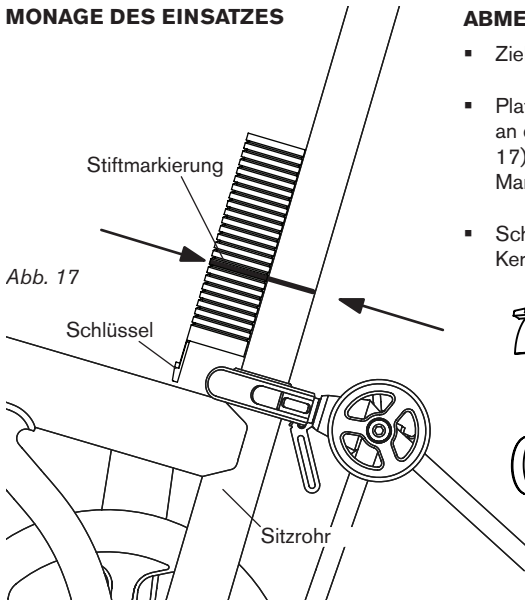
Wenn Sie die korrekte Sattelposition ermittelt haben, können Sie den Sattelhöheinsatz montieren. Dieser sollte dann montiert werden, wenn die Sattelhöhe bei maximalem Auszug zu hoch ist. Der Sattelhöheinsatz erlaubt es Ihnen, den Sattel jedes Mal nach dem Entfalten auf die richtige Höhe einzustellen.

EINSTELLEN DER SATTELHÖHE

- Denken Sie daran, hierfür Ihre üblichen Radschuhe anzuziehen.
- Stellen Sie die Sattelhöhe so ein, dass Sie bei gestrecktem Bein mit der Schuhferse auf dem unteren Pedal stehen, wenn das Pedal in der unteren Position ist (Abb. 15).
- Wenn Sie mit dem Vorderfuß in die Pedale treten, ist Ihr Bein am tiefsten Punkt der Kurbeldrehung leicht abgewinkelt.
- Wenn Sie mit der Sattelhöhe zufrieden sind, markieren Sie die Sattelstütze mit einem Stift oder einem Klebeband an der Oberkante des Sitzrohrs (Abb. 16).
- Die Mindesthöhe der Sattelstütze ist erreicht, wenn die Sattelstütze über das Sattelrohr hinaus unter die Unterseite des Rahmens reicht; das Fahrrad darf nicht benutzt werden, wenn die Sattelstütze aus dem unteren Teil des Sattelrohrs ragt.
- Wenn Sie beim Einstellen unsicher sind, kann Ihnen Ihr Brompton-Händler weiterhelfen.



MONAGE DES EINSATZES



- Markieren Sie den Pentaclip mit einem Stift oder Klebeband, um den Winkel und die Position des Sattels anzuzeigen
- Lösen Sie den Pentaclip mit einem 5-mm-Inbusschlüssel und entfernen Sie Sattel und O-Ringe vom oberen Ende der Sattelstütze
- Entfernen Sie die Sattelstütze, indem Sie sie aus dem Rahmen ziehen.
- Drücken Sie den Höheneinsatz des Sattels zusammen und schieben Sie ihn in das obere Ende des Sattelrohrs, wobei der Schlüssel auf den Spalt ausgerichtet ist (Abb. 19).
- Lassen Sie den Schlüssel an der Unterkante des Spalts einrasten (Abb. 19)
- Setzen Sie die Sattelstütze wieder in die Unterseite des Rahmens ein (Abb. 19) und achten Sie darauf, dass die Stütze sauber ist.
- Setzen Sie die O-Ringe und den Sattel auf, richten Sie die Markierungen auf den Pentaclip aus und ziehen Sie ihn an (15 Nm)
- Prüfen Sie, ob die Sattelhöhe bei vollem Ausfahren korrekt ist, geringfügige Anpassungen können durch leichtes Auf- und Abschieben des Pentaclip auf der Stütze vorgenommen werden (Abb. 14). Weitere Informationen finden Sie auf <https://www.brompton.com>

ABMESSEN UND ZUSCHNEIDEN DES EINSATZES

- Ziehen Sie die Sattelstütze auf maximale Höhe aus.
- Platzieren Sie den Einsatz kopfüber gegen die Stütze an der Oberkante des Sitzrohrs wie abgebildet (Abb. 17) und markieren Sie die Kerbe im Einsatz, die der Markierung auf der Sattelstütze am nächsten ist.
- Schneiden Sie den Einsatz vorsichtig entlang dieser Kerbe mit einer Schere ab (Abb. 18)

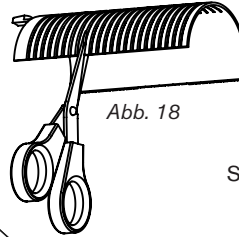


Abb. 18

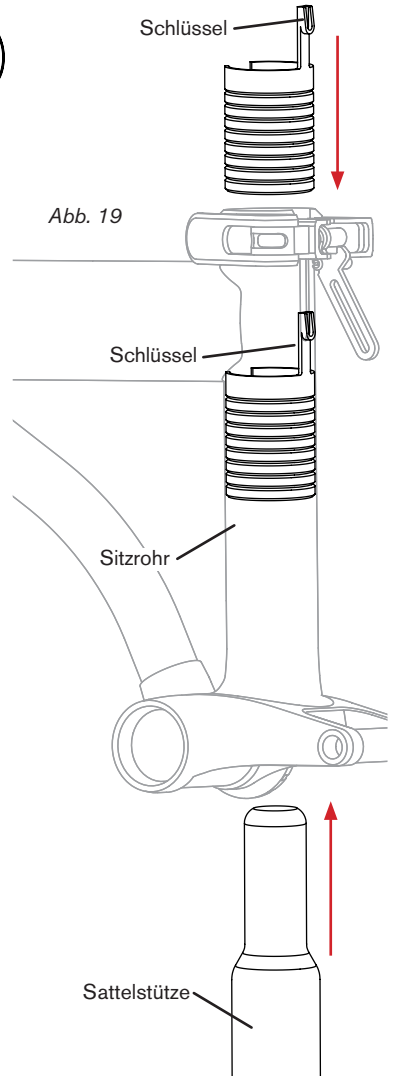
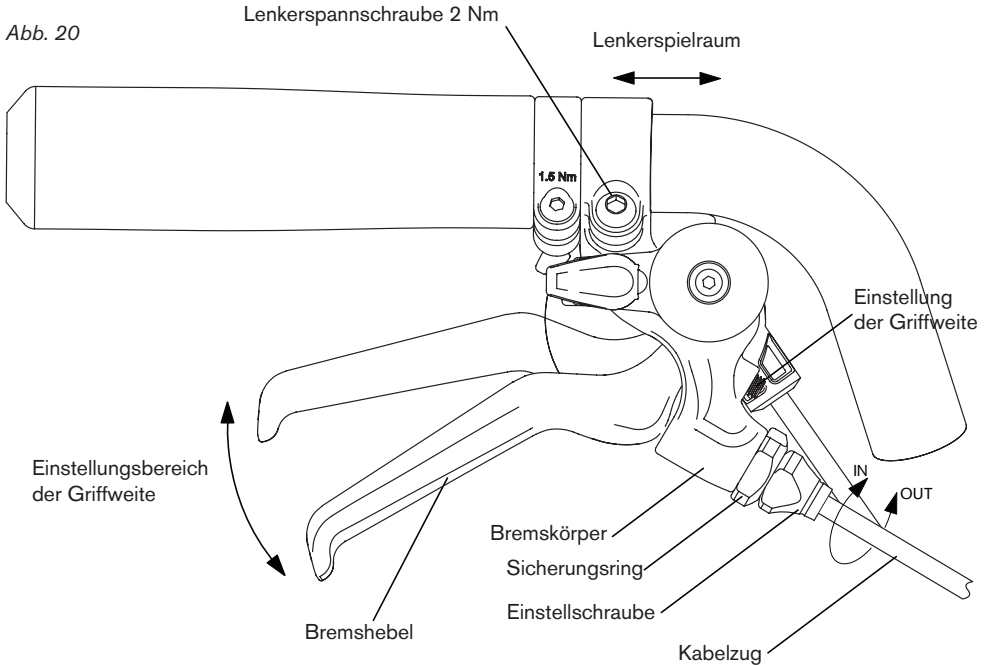


Abb. 19

BREMSHEBEL EINSTELLEN

Um eine bequeme und sichere Position der Bremshebel zu erreichen, ist es wichtig, sich einige Zeit mit der richtigen Einstellung des Hebels zu beschäftigen. Abhängig von der Größe Ihrer Hand können Sie den Abstand vom Hebel zum Lenker einstellen. Der Hebel kann so eingestellt werden, dass er mit einem, zwei oder drei Fingern betätigt wird.

Der linke und der rechte Hebel sind speziell für ihre jeweilige Position entworfen. Der Hebel wird mit der nach oben gerichteten Spannschraube befestigt (Abb. 20).



1. HEBELWINKEL

Der Einstellungsbereich des Hebelwinkels wird von der Führung des Kabelausgangs begrenzt. Wenn der Hebel einen zu hohen Winkel hat, verursacht dies Probleme bei der Funktion der Bremsen und beim Falten des Fahrrads.

Wenn das Fahrrad gefaltet wird, berührt der rechte Bremskabelzug die Gabelscheide. Der Hebelwinkel sollte so eingestellt werden, dass der Kabelzug leicht die Gabelscheide berührt. Eine zu starke Berührung verbiegt und beschädigt den Zug. Deshalb verfügt der Bremshebel über einen Knick, um über den Bremskörper hinauszureichen, was für eine bequemere Position sorgt, ohne die Kabelführung zu beeinträchtigen.

2. HEBELPOSITION

Die Position des Hebels auf dem Lenker kann eingestellt werden, um den Hebel näher zum Ende des Lenkergriffs oder weiter weg davon zu bewegen. Diese Einstellung erlaubt die Positionierung für die Bedienung der Bremse mit einem, zwei oder drei Fingern.

Die Positionierung des Hebels zum Bremsen mit einem Finger gestattet einen sichereren Halt auf dem Griff, geht aber mit geringerer Krafteinwirkung auf die Bremse einher. Bremsen mit drei Fingern erlaubt die maximale Krafteinwirkung auf die Bremse, sorgt aber für weniger Grip auf dem Griff.

3. EINSTELLUNG DER GRIFFWEITE

Die Griffweiteneinstellung wird durch den Gewindestift an der Seite des Bremskörpers bestimmt.

Das Hineinschrauben der Griffweiteneinstellung in den Bremskörper (2,5-mm-Inbusschlüssel) bringt den Hebel näher zum Lenker.

Wenn die Griffweite des Hebels näher zum Lenker eingestellt wird, führt dies dazu, dass die Bremsbeläge näher an der Felge sind. Es kann erforderlich sein, den Schleifpunkt des Hebels (Position für das Einsetzen der Bremswirkung) einzustellen, um genügend Abstand für die Bremsbeläge zu schaffen. Dies wird erreicht, indem die Einstellschraube in den Bremskörper geschraubt wird.

Wenn an der Einstellschraube nicht genügend Spiel für ausreichend Abstand für die Bremsbeläge und einen zufriedenstellenden Schleifpunkt ist, müssen Sie die Spannschraube des Kabels (10-mm-Schraubenschlüssel) am Bremsarm lösen, um das Kabel weiter durchziehen zu können. Achten Sie darauf, die Schraube wieder auf 8 Nm festzuziehen und vergewissern Sie sich, dass das Kabel ordnungsgemäß befestigt ist, bevor sie das Fahrrad verwenden.

4. EINSTELLUNG DES SCHLEIFPUNKTS

Die Schleifpunkteinstellung (Position für das Einsetzen der Bremswirkung) wird durch die Einstellschraube bestimmt. Das Hineinschrauben der Einstellschraube in den Bremskörper bringt den Schleifpunkt des Hebels näher zum Lenker. Das Herausschrauben der Einstellschraube aus dem Bremskörper bringt den Schleifpunkt des Hebels weiter vom Lenker weg.

Die Einstellschraube verwendet einen Sicherungsring, um in Position zu bleiben. Dieser sollte vor der Einstellung gelöst und angezogen werden, wenn die Einstellschraube korrekt positioniert ist.

5. BEFESTIGUNG DES HEBELS

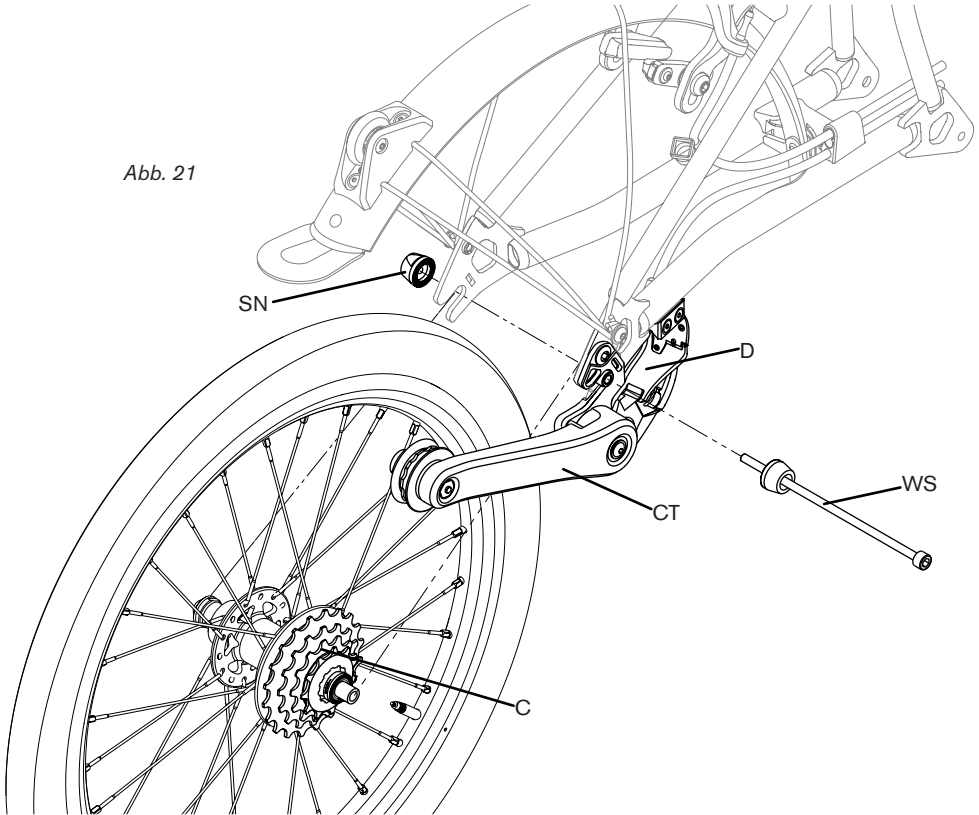
Wenn der Hebel auf dem Lenker korrekt positioniert wurde, sollte die Spannschraube mit einem Drehmoment von 2 Nm angezogen werden (4-mm-Inbusschlüssel).

Korrekte Kabelführung und Kabelzuglänge sind wichtig. Die Kabel müssen vor dem Lenker, links an der Lenkerstütze und rechts am Hauptrahmenrohr vorbeiführen.

WENN SIE BEI EINER DIESER EINSTELLUNGEN UNSICHER SIND, WENDEN SIE SICH AN IHREN BROMPTON-HÄNDLER. BENUTZEN SIE DAS FAHRRAD NICHT MIT SCHLECHT EINGESTELLTEN BREMSEN.

HINTERRAD – AUS- UND WIEDEREINBAU

- Schalten Sie das Getriebe beim - oder Ausbau des Hinterrads auf den kleinen Kitzel der Kassette
- Der Kettenspanner muss vor Ausbau des Rades von der Kette gelöst werden
- Wenn das Rad eingebaut ist, stellen Sie sicher, dass es korrekt in dem Ausfallende sitzt, ansonsten funktionieren die Gänge möglicherweise nicht ordnungsgemäß
- Es ist unerlässlich, dass Sie das korrekte Einbauverfahren befolgen und alle Befestigungen korrekt festziehen



AUSBAU

Um das Hinterrad auszubauen, platzieren Sie das Fahrrad in einem Ständer. Bei der Vorbereitung muss die Spannung von der Kette genommen werden. Dies erreichen Sie durch Lösen des CT. Sobald die Kette schlaff ist, kann sie von dem C entfernt und zum Abnehmen aus dem Weg geräumt werden. Lösen Sie die WS mit einem 5-mm-Sechskantschraubenschlüssel. Wenn sie gelöst ist, halten Sie sie an Ort und Stelle, um zu verhindern, dass sich die Schnellspanner-Mutter auf der gegenüberliegenden Seite dreht. Anschließend entfernen Sie die WS komplett. Damit durch die Rad die Bremsattel-Mutter passt, muss die Luft abgelassen werden. Jetzt kann das Rad mit wenig Druck herausgeführt werden.

EINBAU

Beim Einbau des Hinterrads platzieren Sie das Fahrrad in einem Ständer. Stellen Sie die korrekte Laufrichtung sicher, indem Sie überprüfen, ob der Pfeil auf der Reifenwand in eine Vorwärts-Laufrichtung zeigt. Führen Sie das Rad an Ort und Stelle und stellen Sie sicher, dass die Kette später korrekt in der Kassette C platziert werden kann. Wenn das Rad an Ort und Stelle ist. Führen Sie die Schnellspanner WS wie gezeigt ein (Abb.21) Ziehen Sie die Schnellspannerschraube auf 7 Nm fest. Der Kettenspanner CT kann jetzt in der Kette eingerastet werden.

ROUTINEMÄSSIGER AUSTAUSCH VON VERSCHLEISSTEILEN

Ein geplanter Austausch von Verschleißteilen ist empfehlenswert, um Sicherheit und gute Leistung zu garantieren. Die empfohlenen Intervalle sind für Fahrräder gedacht, die normal verwendet werden. Der beste Zeitpunkt für einen Austausch von Verschleißteilen ist abhängig von den Nutzungsbedingungen und dem Fahrstil. Wir empfehlen, nur Original-Ersatzteile von Brompton für sicherheitsrelevante Komponenten zu verwenden.

ALUMINIUMKOMPONENTEN Wie bei anderen leichten Geräten wird für die Konstruktion des Brompton Aluminiumlegierung verwendet, und dieses Material hat eine begrenzte Lebensdauer. Bei normaler Verwendung ist das Risiko eines Ausfalls aufgrund von Abnutzungserscheinungen am Aluminium gering, selbst nach Tausenden von Kilometern. Das Risiko eines Fehlers steigt jedoch mit der Nutzung, speziell bei einer harten Fahrweise oder anderen harten Belastungen. Da solche Fehler zu Verletzungen führen können, sollten die Scharnierklemmplatten, der Lenker, die Kette, die Sattelstange und die Pedale alle 8,000 Kilometer (oder häufiger bei harter Beanspruchung) ausgetauscht werden. Wir empfehlen, diese Elemente regelmäßig zu überprüfen.

ÜBERSETZUNG Alle Brompton-Fahrräder sind mit einem selbstjustierenden Kettenspanner ausgestattet, um die korrekte Kettenspannung zu erhalten. Kette und Ritzel nutzen sich mit der Zeit ab (allgemein als Kettenverschleißblängung bezeichnet), was zu ineffizienter und ungleichmäßiger Kraftübertragung führt. Wir empfehlen, Kette und Ritzel alle 3,200-4,800 Kilometer zu ersetzen, regelmäßiges Reinigen und Fetten verlängert jedoch die Haltbarkeit der Kette. Verwenden Sie niemals eine neue Kette auf abgenutzten Ritzeln oder umgekehrt. Um die Kettenverschleißblängung zu messen, verwenden Sie eine Kettenlehre oder Messschieber.

BREMSEN Bremskabel haben keine unbegrenzte Haltbarkeit, und um das Risiko eines Defekts zu reduzieren, sollten Sie die Kabel nach 6,400 Kilometern oder eher ersetzen. Neue Außenkabel müssen exakt dieselbe Länge wie das Original haben. Für optimale Ergebnisse sollten Sie nur echte Brompton-Kabel verwenden und diese von einem autorisierten Brompton-Händler oder einem zertifizierten Fahrradtechniker einbauen lassen. Kabel mit falscher Länge könnten die Sicherheit und die Funktionstüchtigkeit Ihres Fahrrads beeinträchtigen.

SCHALTZÜGE Diese sollten genauso häufig ersetzt werden wie Bremskabel. Da Brompton-Kabel speziell für die Fahrräder von Brompton entwickelt wurden, sollten nur Originalkabel von Brompton verwendet werden. Lassen Sie sie von einem autorisierten Brompton-Händler oder einem zertifizierten Techniker einbauen. Kabel mit falscher Länge könnten die Sicherheit und die Funktionstüchtigkeit Ihres Fahrrads beeinträchtigen.

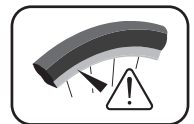
BREMSBELÄGE Neue Bremsbeläge haben Rillen auf der Bremsfläche. Sobald diese Rillen eine geringere Tiefe als 1 mm haben oder nicht mehr sichtbar sind, sollten die Bremsbeläge ersetzt werden. Da Bremsbeläge wichtig für die Sicherheit Ihrer Bremsen sind, empfehlen wir Ihnen, diese von einem qualifizierten Fahrradmechaniker und nur mit Original-Bremsbelägen von Brompton austauschen zu lassen.

REIFEN Das Risiko platter Reifen steigt mit der Fahrtdauer und wenn sich das Reifenprofil abnutzt. Sobald Sie bemerken, dass Ihr Reifenprofil abgenutzt ist, sollten Sie den Reifen ersetzen. Das reduziert die Gefahr platter Reifen und erhöht die Effizienz des Pedaltritts.

DYNAMOLAMPEN Die elektrischen Kabel der Dynamolampen verschleiben beim Falten und Entfalten des Brompton. Wenn die Kabel abgenutzt sind, sollten Sie sie umgehend ersetzen, um Schäden an Ihrer Dynamo-Nabe zu verhindern. Wenn Ihre Lampen nicht funktionieren, lassen Sie sie von einem qualifizierten Fahrradtechniker überprüfen, damit Sie auf der Straße gesehen werden und sicher sind.

GUMMIBLOCK UND BUCHSE Überprüfen Sie Buchse und Gummiblock jährlich auf Verschleiß. Wenn Sie Risse im Gummiblock bemerken, sollten Sie ihn umgehend ersetzen.

RADFELGEN Die Bremsflächen der Felgen verschleiben beim Fahren. Auf der Bremsfläche neben dem Ventil befindet sich eine kleine Kerbe; sie fungiert als Anzeige für die Abnutzung. Wenn die Felge abgenutzt ist, sodass die Kerbe nicht mehr vorhanden ist, muss die Felge ausgewechselt werden. Suchen Sie auf den Radfelgen nach diesem Symbol.



160-KILOMETER-SERVICE Das Einlaufen bestimmter Elemente an einem Fahrrad braucht Zeit. Um Schäden zu verhindern, sollten Sie diese kurz nachdem Sie das Fahrrad gekauft haben überprüfen lassen. Wir empfehlen, dass Sie Ihr Brompton nach den ersten 160 Kilometern oder 1 Mal pro Monat (je nachdem, welcher Zeitpunkt früher liegt) von einem qualifizierten Mechaniker überprüfen lassen. Dabei sollte besonders auf die folgenden Elemente geachtet werden:

SPEICHEN Die Spannung der Speichen muss überprüft und angepasst werden. Wenn eine Speiche sich aus irgendeinem Grund löst, tragen die daneben liegenden Speichen zusätzliche Last und können ausfallen.

SCHRAUBEN DER KURBELACHSE UND PEDALE Diese müssen auf festen Sitz überprüft werden. Das korrekte Drehmoment beträgt 30 Nm. Das Gewinde für das linke Pedal ist ein Linksgewinde.

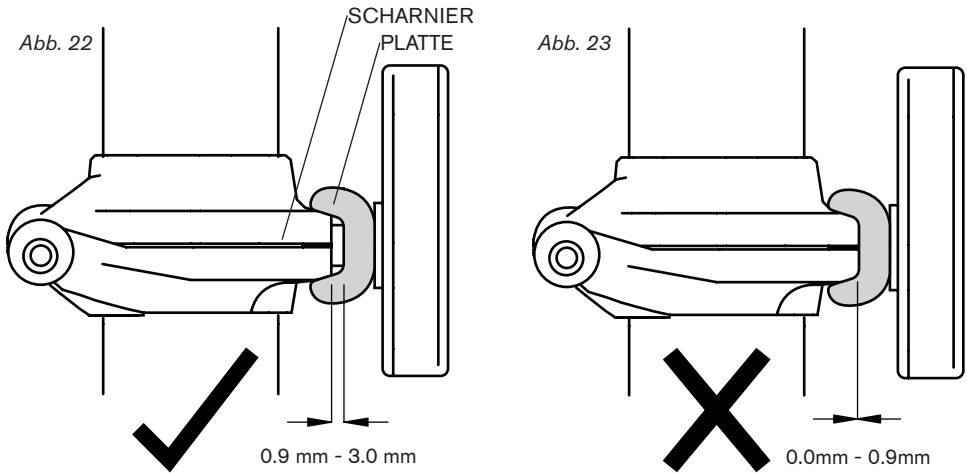
KABEL Auch wenn die Brems- und Gangkabel vorgedehnt sind, tritt unweigerlich eine weitere Anfangsdehnung auf. Da dies die Steuerung des Nabengetriebes beeinträchtigt, sollte die Gangschaltung überprüft und wenn nötig eingestellt werden. Es lohnt sich, gleichzeitig auch die Bremsen einzustellen.

SATTELSTÜTZEN-MANSCHETTE Die Sattelstütze wird in einer Kunststoffmanschette im Inneren des Rahmens auf- und ab geschoben. Dies ist ein Verschleißteil, der regelmäßig ausgewechselt werden muss. Wenn die Sattelstütze während des Fahrens verrutscht oder die Befestigungsmutter zu stark angezogen werden muss, um die Stütze zu befestigen, kann es vorkommen, dass die Manschette extrem abgenutzt wird und ersetzt werden muss. Die abgenutzte Manschette kann den Rahmen beschädigen, wenn sie nicht ersetzt wird. Die Ersetzung der Manschette erfordert Spezialwerkzeuge und muss von einem autorisierten Brompton-Händler vorgenommen werden.

HINTERES SCHARNIER Mit der Zeit können sich die Buchsen am Hinterbau abnutzen, ein leichtes Spiel wird erkennbar. Um das Spiel zu beseitigen, müssen die Buchsen ersetzt werden. Diese Arbeit muss von einem autorisierten Brompton-Händler durchgeführt werden, Spezialwerkzeuge sind dafür erforderlich.

SCHARNIERKLEMMPLATTE Wenn die Platte abgenutzt oder beschädigt ist, kann dies die Effektivität der Scharnierklemme verringern. Sie sollte regelmäßig überprüft und gegebenenfalls ersetzt werden. Wenn der Hebel am Lenkerscharnier und am Hauptrahmen-Scharnier festgezogen ist, muss der Spalt zwischen den Scharnier-Gussteilen und der Scharnierklemmplatte (Abb. 22) 0.90 mm bis 3.00 mm breit sein. Diese Teile müssen regelmäßig überprüft und gegebenenfalls ersetzt werden.

Wenn der Spalt zwischen Scharnier und Scharnierklemmplatte weniger als 0.90 mm (Abb. 23) breit ist, ersetzen Sie die Scharnierklemmplatte. Wenn es keinen Spalt zwischen Scharnierklemmplatte und Scharnier gibt, darf das Fahrrad erst benutzt werden, wenn die Platte ersetzt wurde.



GEWÄHRLEISTUNG

Wenn Ihr registriertes Fahrrad einen Herstellungsfehler aufweist, ersetzen wir das defekte Teil kostenfrei, wenn Sie uns innerhalb von sieben Jahren (beim Rahmen innerhalb von zwei Jahren, wenn er nicht registriert ist) oder innerhalb von zwei Jahren (bei den übrigen Teilen) nach Kaufdatum des Fahrrads darüber informieren. Das Brompton wurde für die Verwendung auf Straßen und gut gepflasterten Wegen entwickelt. Es wurde nicht für Querfeldeinfahrten entwickelt: dies kann den Rahmen überlasten und die Reifen und Räder sind dafür nicht geeignet.

My Brompton – In diesem Bereich der Brompton Webseite können die Nutzer die Details ihres Fahrrads (ihrer Fahrräder) aufzeichnen, sodass sie bei Bedarf kontaktiert werden können. Um die 7-Jahres-Gewährleistung zu aktivieren, ist eine Registrierung erforderlich. Die Daten bleiben in der Brompton-Datenbank und werden nicht an Dritte weitergegeben <https://www.brompton.com>

SERIEN- UND RAHMENNUMMER Die 10-stellige Seriennummer befindet sich auf dem Schild auf der Rückseite des Sattelrohrs, am Hauptrahmen. Die 6-stellige Rahmennummer ist in den Hauptrahmen gestanzt, am Drehpunkt zwischen Hauptrahmen und Hinterbau: Sie sollten beide Nummern unbedingt aufbewahren. Zeichnen Sie Ihre Nummern auf den leeren Seiten hinten in diesem Handbuch auf.

BROMPTON GEWÄHRLEISTUNGSBEDINGUNGEN

Vielen Dank, dass Sie sich für ein Brompton-Fahrrad entschieden haben. Ihr Fahrrad ist das Produkt von Bromptons Verwendung bewährter Technik, intensiven Tests und dem ständigen Streben nach besserer Zuverlässigkeit, Sicherheit und Leistung

Sie können den maximalen Schutz dieser Gewährleistung bewahren, indem Sie sicherstellen, dass Ihr Fahrrad in Übereinstimmung mit den Empfehlungen des Benutzerhandbuchs gewartet wird. Bitte bewahren Sie Aufzeichnungen aller von Ihrem autorisierten Brompton-Händler durchgeführten Wartungsarbeiten auf und stellen Sie sicher, dass diese Service-Aufzeichnungen Ihrem Brompton-Händler auf Anfrage zur Verfügung stehen, wenn an Ihrem Fahrrad Reparaturen oder Arbeiten gemäß Gewährleistung durchgeführt werden.

Alle neuen Brompton-Fahrräder, die im Abschnitt „My Brompton“ auf unserer Webseite registriert wurden, fallen ab Kaufdatum unter eine 7-jährige unbeschränkte Kilometer-Gewährleistung für die Hauptrahmen-Komponenten. Verschleißfreie Teile Ihres Fahrrads (Kurbelarme, Bremskabel, Schutzbleche usw.) fallen unter eine 2-Jahres-Gewährleistung. Bitte bewahren Sie Ihre Verkaufsrechnung für die Zukunft an einem sicheren Ort auf. Brompton-Fahrräder, die nicht im Abschnitt „My Brompton“ auf unserer Webseite registriert wurden, fallen ab Kaufdatum unter eine 2-jährige unbeschränkte Kilometer-Gewährleistung für die Hauptrahmen-Komponenten.

Innerhalb dieser Gewährleistungsfristen garantiert Brompton Bicycle Ltd, dass das neue Brompton Fahrrad frei von Defekten an Materialien ist, die bei der Herstellung oder Verarbeitung zur Zeit der Herstellung verwendet wurden.

- Jeder Teil, der während dieses Zeitraums defekt wird, wird von einem autorisierten Brompton-Händler oder -Lieferanten oder im Werk nach Ermessen von Brompton Bicycle Ltd repariert oder ersetzt.
- Jeder gemäß diesen Gewährleistungsbestimmungen ersetzte Teil wird für die restliche Dauer des Gewährleistungszeitraums des Fahrrads von der Gewährleistung abgedeckt.
- Alle gemäß dieser Gewährleistung ersetzten Teile müssen vom Händler und/oder Lieferanten an Brompton Bicycle Ltd zurückgegeben werden und werden Eigentum von Brompton Bicycle Ltd
- Brompton kann nach eigenem Ermessen Reparaturen oder einen Austausch defekter Teile vornehmen, die nicht in die Gewährleistungsfrist fallen, aber diese Arbeit stellt kein Haftungszugeständnis dar.
- Brompton übernimmt die Kosten für gemäß dieser Gewährleistung durchgeführte Arbeiten.
- Die Gewährleistung kann für den restlichen Zeitraum auf nachfolgende Besitzer übertragen werden.

Fortsetzung auf der nächsten Seite

Bedingungen und Ausschlüsse:

1. Wir empfehlen, dass Sie Ihr Brompton nach den ersten 160 Kilometern oder 1 Mal pro Monat (je nachdem, welcher Zeitpunkt früher liegt) von einem qualifizierten Mechaniker überprüfen lassen, da einige Komponenten Zeit brauchen, um sich einzuspielen und möglicherweise eingestellt werden müssen, um eine Beschädigung zu vermeiden.
2. Routine-Austausch: In diesem Abschnitt des Benutzerhandbuchs werden die Komponenten des Fahrrades aufgeführt, die bei Routine-Wartung und -Service des Fahrrades ersetzt werden. Diese Richtlinien müssen unter besonderer Berücksichtigung des Kilometerstands des Fahrrades befolgt werden, da dies die Funktion vieler Komponenten beeinflusst, z.B. Bremskabel, Kette, Ritzel usw. Kilometerstand und Verschleiß beeinflussen auch die zu erwartende Lebensdauer von Aluminiumkomponenten, die alle 8.000 Kilometer ersetzt werden müssen (oder früher bei besonders harter Beanspruchung) und die daher nicht unter die oben ausgeführten Gewährleistungsbedingungen fallen.
3. Die oben beschriebene Gewährleistung ist nur in dem Land gültig, in dem das Fahrrad gekauft wurde.
4. Fahrräder, die von einem Land in ein anderes exportiert werden, werden innerhalb der Gewährleistungsfrist durch kostenlose Bereitstellung von Ersatzteilen durch das Werk unterstützt. Der Brompton-Lieferant oder -Händler in dem neuen Land kommt normalerweise für die bei Reparaturen gemäß Gewährleistung geleisteten Arbeiten und für etwaige Zölle auf kostenlose Teile auf.
5. Das Fahrrad darf nicht für nicht zugelassene Wettkämpfe oder missbräuchlich* verwendet, unangemessen gehalten oder unkorrekt gewartet werden.
6. An dem Fahrrad dürfen nur mit Genehmigung von Brompton Bicycle Ltd Änderungen, Reparaturen oder ein Austausch von Teilen vorgenommen werden.
7. Das Fahrrad-Service muss von einem autorisierten Brompton-Händler vorgenommen werden.
8. Schäden, die durch fehlerhafte Einstellung oder Reparaturen und Änderungen eines nicht autorisierten Brompton-Händlers verursacht wurden, sind durch diese Gewährleistung nicht abgedeckt.
9. Schäden, die durch die Verwendung von Teilen und Zubehör verursacht wurden, die nicht von Brompton Bicycle Ltd genehmigt wurden, sind durch diese Gewährleistung nicht abgedeckt.
10. Die Gewährleistung deckt nicht die Kosten für die Entfernung und den Austausch von Teilen und Zubehör ab, die nicht als Original-Ausrüstung geliefert oder von Brompton Bicycle Ltd empfohlen wurden.
11. Komponenten, die als Teil ihrer normalen Funktion erwartungsgemäß verschleifen, z.B. Reifen, Glühbirnen, Ritzel, Bremsbeläge usw., sind von den Bedingungen dieser Gewährleistung ausgenommen, es sei denn es handelt sich um einen Herstellungsfehler des Teils.
12. Weitere Elemente, die von der Gewährleistung ausgenommen sind, sind Sattel, Taschen, Farbe, Chromteile, polierte Aluminiumelemente oder Aufkleber, wenn der Schaden durch normale Abnutzung, Belastung oder mangelnde Wartung entstanden ist.
13. Im Lieferumfang des Fahrrades enthaltene Akkus sind von der Gewährleistung ausgenommen, außer bei Vorhandensein einer Leckage zum Zeitpunkt der Lieferung.
14. Die Gewährleistung deckt nicht Fahrräder ab, die kommerziell verwendet werden, z. B. von Kurieren oder Versandfahrern usw.
15. Die Gewährleistung deckt nicht Defekte ab, die nicht innerhalb von zehn Tagen nach Entdeckung des Defekts an autorisierte Händler gemeldet wurden.
16. Ihr Fahrrad erfordert häufigeren Service, wenn es in rauem Klima betrieben wird, z.B. am Meer oder auf stark gesalzenen Straßen; im Tiefschnee (über der halben Achsenhöhe); auf sehr staubigem/sandigem Terrain. Solche Umgebungen können einen vorzeitigen Fehler der Oberflächen von Rahmen und Komponenten verursachen, und diese Schäden sind von dieser Gewährleistung ausgenommen. Brompton Bicycle Ltd hat die Materialien, Platten und Farbtechniken sehr sorgfältig ausgewählt, um seinen Kunden ein hochwertiges Aussehen, verbunden mit Dauerhaftigkeit zu bieten. Wenn Ihr Fahrrad jedoch oft unter rauen Umgebungsbedingungen verwendet wird, wie sie beschrieben werden, ist es wichtig, dass das Fahrrad gewaschen, getrocknet und die verlorene Schmiering ersetzt wird, um sicherzustellen, dass das Fahrrad in optimalem Zustand bleibt. Ihr Händler kann Ihnen bei Bedarf weitere Informationen und Beratung bereitstellen. Schließlich hängt das Aussehen Ihres Fahrrades stark davon ab, wie es gepflegt wird.
17. Sollte eine Gewährleistungsforderung notwendig werden haften Brompton Bicycle Ltd und seine Händler nicht für die Transportkosten des Fahrrades zu oder vom autorisierten Brompton-Händler oder für Kosten, die entstehen, während das Fahrrad außer Betrieb ist, einschließlich Kosten, die mit Nutzensausfall, Unannehmlichkeiten, Zeitverlust, kommerziellem Verlust oder sonstigen Neben- oder Folgeschäden verbunden sind.

Diese Gewährleistung ist in Übereinstimmung mit der englischen Gesetzgebung auszulegen und jegliche aus dieser Gewährleistung entstehende Fragen unterliegen der Rechtsprechung der englischen Gerichtsbarkeit.

Jegliche Aussage, Bedingung, Darstellung oder Gewährleistung, die anderweitig in Katalogen, Werbematerial oder einer anderen Publikation enthalten ist, ist nicht als Erweiterung, Abänderung oder Überschreibung einer hierin enthaltenen Bestimmung anzusehen.

Brompton Bicycle Ltd behält sich das Recht vor, ohne vorherige Verständigung Änderungen oder Verbesserungen an einem Modell oder einem Gerät vorzunehmen, jedoch ohne verpflichtet zu sein, dies bei bereits verkauften Fahrrädern zu tun. Diese Gewährleistung betrifft nicht Ihre gesetzlichen Ansprüche.

*Missbrauch umfasst jegliche Verwendung nicht in Übereinstimmung mit den Empfehlungen in diesem Benutzerhandbuch und jegliche Verwendung entgegen den in demselben Handbuch enthaltenen Warnungen. Zusätzlich umfasst Missbrauch unter anderem jegliche Verwendung des Fahrrades, die keinen normalen Straßengebrauch darstellt, da Ihr Brompton-Fahrrad für den Gebrauch auf Straßen und gut gepflasterten Wegen vorgesehen ist. Es wurde nicht für Querfeldeinfahrten entwickelt: dies kann den Rahmen überlasten und die Reifen und Räder sind dafür nicht geeignet.



BROMPTON BICYCLE LTD
Unit 1, Greenford Park
Ockham Drive
Greenford
Middlesex
UB6 0FD
© Brompton Bicycle Ltd 2020

OM9-2

ISO 4210-2
CITY- UND TREKKING-BIKES

CPSC 16 CFR 1512



BROMPTON



P Line

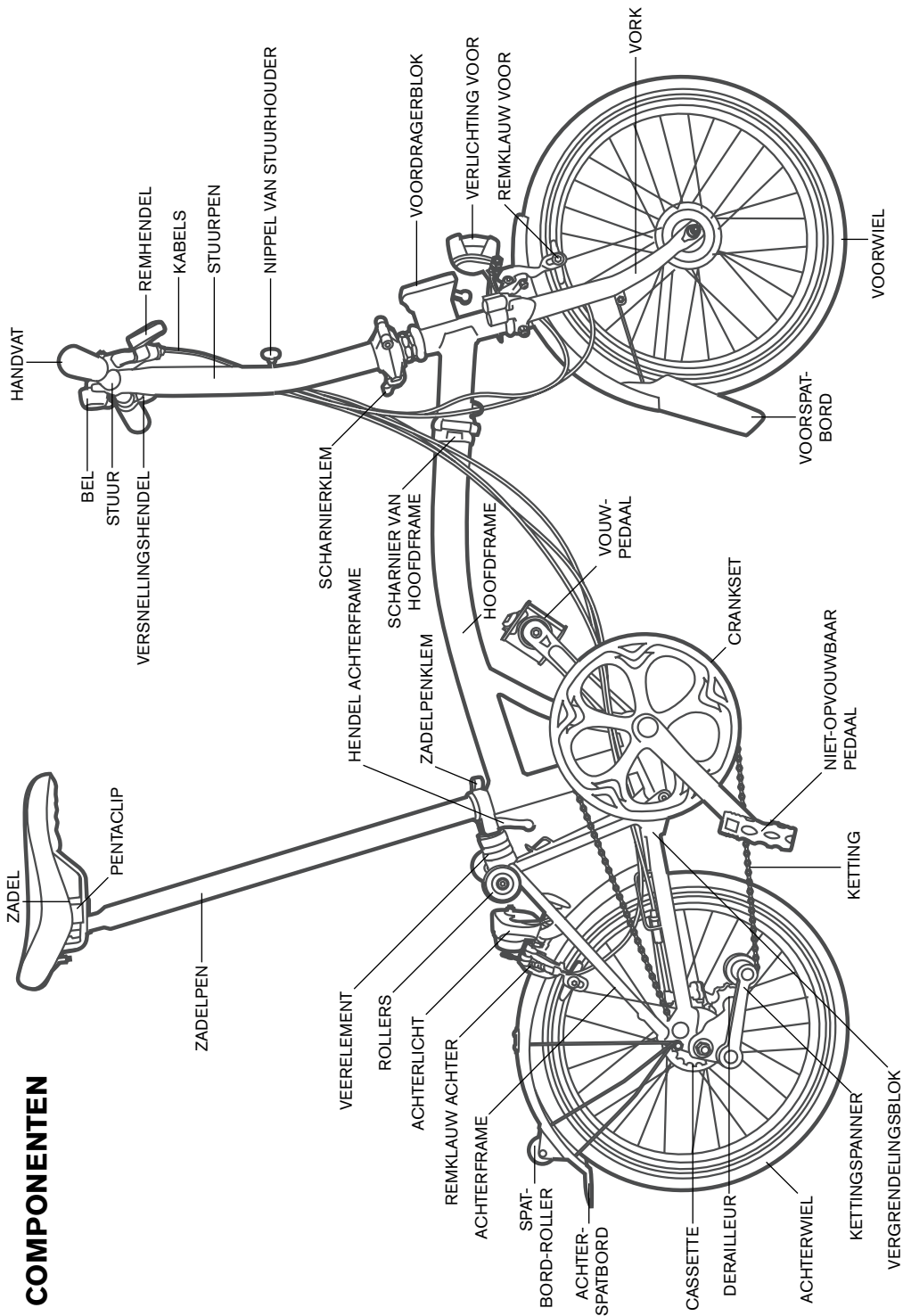
Instructieboekje

OM9-2

ISO 4210-2
STADS- EN TREKKINGFIETSEN

CPSC 16 CFR 1512

COMPONENTEN



INHOUDSOPGAVE

INLEIDING	196
VEILIGHEID	197
UITKLAPPEN	198
OPVOUWEN	202
VERGRENDELINGSBLOK	205
GEBRUIK VAN DE BROMPTON P LINE	206
VERSNELLINGEN	207
REMMEN	211
VERLICHTING	211
CLIP ACHTERFRAME	211
BAGAGE	212
SCHOONMAKEN EN SMEREN	213
POSITIE VAN ZADEL AFSTELLEN	214
INZETSTUK ZADELHOOGTE BEVESTIGEN	215
REMHENDEL AFSTELLEN	217
ACHTERWIEL - DEMONTAGE EN MONTAGE	219
ROUTINEMATIGE VERVANGING	220
GARANTIE	222



INLEIDING

Lees deze handleiding door voordat u uw Brompton gebruikt. Let daarbij vooral op de hoofdstukken over veiligheid en over het opvouwen van de fiets. Deze handleiding is bedoeld als gids, maar bevat geen uitgebreide richtlijnen voor het gebruik of onderhoud van de fiets.



Om uw verlengde garantie van 7 jaar te activeren, moet u de fiets registreren in My Brompton op onze website, zodat we over de informatie van uw fiets(en) beschikken als uw fiets wordt gestolen of als we contact met u moeten opnemen. We vragen u om uw serienummer en framenummer in te voeren. Het serienummer staat op het plaatje aan de onderzijde van het hoofdframe. Het framenummer is in de buurt van de onderste beugel van het hoofdframe aangebracht. De informatie blijft in de database van Brompton staan en zal niet worden gedeeld met externe partijen <https://www.brompton.com>

Lees de relevante hoofdstukken in deze handleiding voordat u zelf aanpassingen of onderhoudswerkzaamheden uitvoert. Een fout is snel gemaakt en kan het opvouwen van uw fiets belemmeren of uw fiets beschadigen. Deze handleiding bevat een aantal tips en adviezen voor het gebruik van uw Brompton. Raadpleeg een erkende Brompton-dealer voor deskundig advies als u niet goed weet hoe u uw fiets moet onderhouden. Raadpleeg onze website voor een overzicht van onze dealers: <https://www.brompton.com/Find-a-Store>

We adviseren u om uw fiets regelmatig te laten inspecteren en onderhouden door een Brompton-dealer.

Deze handleiding voldoet aan ISO 4210-2

DE OPGEVOUWEN FIETS DRAGEN EN VERVOEREN

- Eigenaren zijn altijd verantwoordelijk voor het beoordelen van de manier waarop ze de fiets gebruiken. Ze dienen te zorgen dat ze tijdens het gebruiken, verplaatsen of vervoeren van hun fiets voldoende aandacht besteden aan hun veiligheid en welzijn
- Brompton aanvaardt geen aansprakelijkheid voor letsels als gevolg van het gebruik of tillen van een opgevouwen fiets
- Een Brompton-fiets weegt, afhankelijk van de gemonteerde uitrusting, 9 tot 14 kg
- Het voordragerblok is geschikt voor bagage met een maximumgewicht van 10 kg
- Eigenaren moeten rekening houden met het gewicht van hun fiets en eventuele bagage die ze willen meenemen of dragen en deze afstemmen op hun eigen fysieke mogelijkheden. Ook moet er rekening worden gehouden met de omstandigheden, zoals de route en staat van de weg, voordat de fiets en bagage worden getild en/of vervoerd
- Eigenaren moeten altijd de bagage van hun opgevouwen fiets halen en niet proberen om bagage en opgevouwen fiets samen te tillen
- Zodra u niet meer kunt fietsen met uw Brompton, zoals in een treinstation, moet u de fiets zover mogelijk indrukken, opvouwen en op de achterste rollers verplaatsen. Draag of til de fiets altijd over een zo kort mogelijke afstand
- Het is aan te bevelen om de opgevouwen fiets met één hand te dragen. Dit gaat het meest comfortabel als u uw arm recht houdt en de fiets naast u draagt. De fiets moet worden vastgehouden aan het zadel of aan het hoofdframe onder het zadel. Kies de positie die het meest geschikt voor u is
- Draagt u de fiets over grotere afstanden, dan is het raadzaam om nu en dan van hand te veranderen, naar gelang uw fysieke conditie
- Het met twee handen dragen van de opgevouwen fiets wordt alleen voor zeer korte afstanden aangeraden, want de fiets kan alleen op borst-/buikhoogte worden gedragen om te voorkomen dat u met uw benen of knieën tegen de fiets stoot. Houd beide armen onder een hoek van ongeveer 90 graden en houd er rekening mee dat hierdoor extra spanning op uw armen komt te staan

De kleine rollers die standaard op de Brompton-fietsen zijn aangebracht, zijn handig om de opgevouwen fiets in kleine ruimtes te duwen. U kunt de ingeklapte fiets ook op deze rollers verplaatsen met het opgeklapte stuur als handvat. Dit werkt echter enkel voor kleine afstanden op een vlakke ondergrond. Vergeet niet om de zadelpen vanuit de onderste positie omhoog te trekken, zodat deze niet hindert tijdens het voortrollen van de fiets. Trek de pen echter niet zo hoog dat de fiets wordt uitgeklappt. De opgevouwen fiets is niet ontworpen om als krukje te worden gebruikt. Ga niet op de fiets zitten wanneer deze is opgevouwen.

VEILIGHEID

De Brompton is ontworpen voor gebruik op goed onderhouden wegen en (fiets)paden en voor een maximale belasting van 110 kg (inclusief gewicht van fietser en bagage). Een Brompton is niet bedoeld voor stunts, terreinrijden of extreme sporten. Uw Brompton mag alleen worden gebruikt voor het beoogde doel. Onjuist gebruik kan ertoe leiden dat bepaalde onderdelen kapot gaan en uw garantie van Brompton doen vervallen. We raden het monteren van een kinderzitje of fietskar op de Brompton af. Wanneer u dit wel doet, wordt de garantie van Brompton ongeldig verklaard.

Let tijdens de eerste ingebruikname van uw Brompton en op geregelde tijdstippen daarna op het volgende:

- We raden het gebruik van een goedgekeurde fietshelm aan, ook in landen waar het gebruik ervan niet verplicht is
- Houd u aan de nationale regels in het land waarin u fiets en volg alle toepasselijke verkeersregels
- Ga na of de velgen langs de remranden schoon en onbeschadigd zijn en controleer de velgen op overmatige slijtage. Laat uw velgen nakijken door een erkende Brompton-dealer wanneer u twijfelt over de veiligheid ervan
- Controleer remmen, banden en stuur regelmatig
- Zorg dat remmen en versnellingen correct zijn afgesteld en dat kabels in goede staat verkeren
- De remmen kunnen bij regenachtige omstandigheden minder efficiënt werken. Ook kunnen wegen gladder zijn. Rem daarom eerder
- Controleer of alle wielmoeren goed zijn aangedraaid (raadpleeg de tabel met aanhaalmomenten op pagina 205)
- In het VK werkt de linker remhendel voor de achterrem en de rechter remhendel voor de voorrem. Deze werking verschilt echter per land
- Draag tijdens gebruik in het donker reflecterende kleding en gebruik voor-en achterlichten. Controleer of uw verlichting aan de lokale wetgeving voldoet



Controleer de volgende zaken aandachtig voor of na elke rit:

- Controleer of de zadelpenklem met snelsluiting vastzit en of het zadel op de juiste hoogte staat
- De scharnierklemmen moeten op hun plaats zitten en de hendels moeten stevig zijn aangedraaid
- Voorkom tijdens het opvouwen en uitklappen en tijdens het gebruik en onderhoud dat u uw handen of vingers ergens plaatst waar ze bekneld kunnen raken
- Controleer of de fiets goed is opgevouwen/uitgeklapt om mogelijk letsel te voorkomen

WAARSCHUWING

Veel onderdelen van een fiets staan onder hoge spanning en zullen bij een hoge kilometerstand, zware ladingen of moeilijke ritten uiteindelijk het einde van hun levensduur bereiken. Met name aluminiumlegeringen hebben een beperkte weerstand tegen vermoeiing. Defecten tijdens het gebruik kunnen letsel veroorzaken. Controleer alle belaste onderdelen op sporen van beschadigingen, corrosie of barsten en vervang ze zo nodig. Breng bij twijfel een bezoek aan een bevoegde Brompton-dealer voor advies van experts.

De fiets mag niet anders worden aangepast, gerepareerd of worden vervangen dan zoals door Brompton Bicycle Ltd. is bepaald. De fiets moet worden onderhouden door een bevoegde Brompton-dealer.

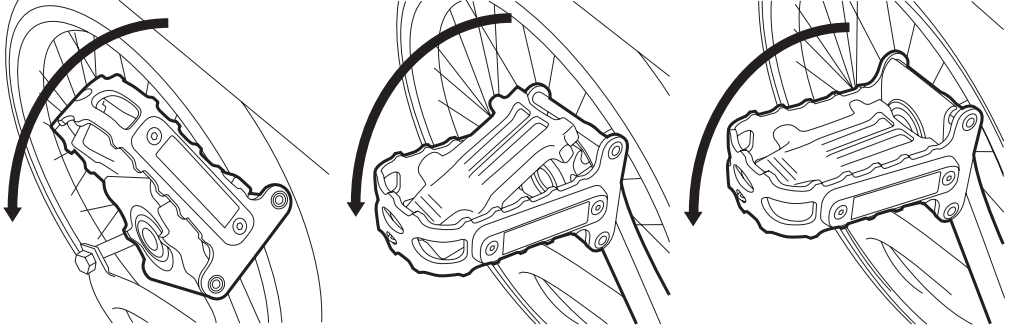
Gebruik de fiets niet meer als deze betrokken raakte bij een valpartij of botsing. Laat de fiets dan inspecteren door een Brompton-dealer. Beschadigde onderdelen moeten worden vervangen voordat u de fiets opnieuw gebruikt. Inkervingen in de aluminium onderdelen kunnen deze aanzienlijk verzwakken en vroegtijdige defecten eraan veroorzaken.

NB: We raden aan originele Brompton onderdelen te gebruiken voor onderdelen die essentieel zijn voor de veiligheid.

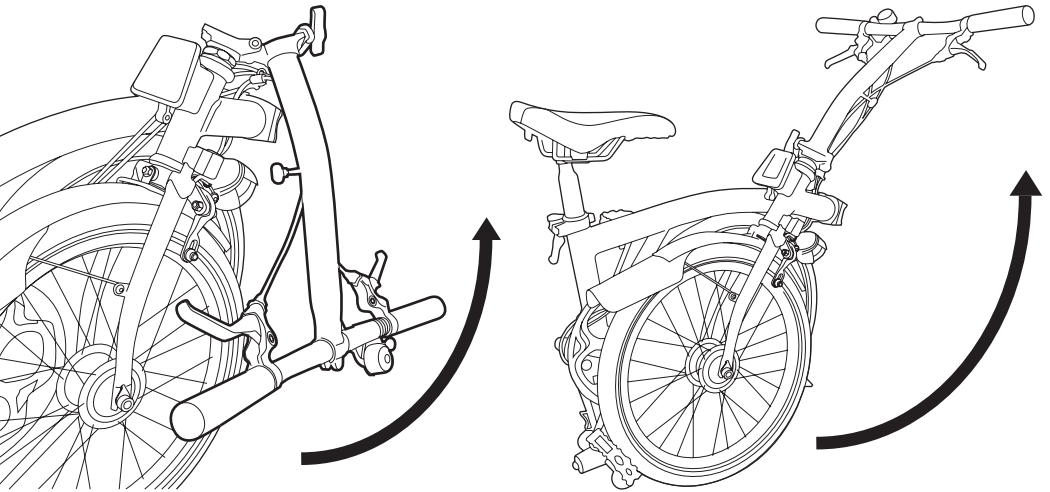
DE FIETS UITKLAPPEN

Neem even de tijd om naar de opgevouwen fiets te kijken. Zo weet u hoe u de fiets opnieuw moet opvouwen.

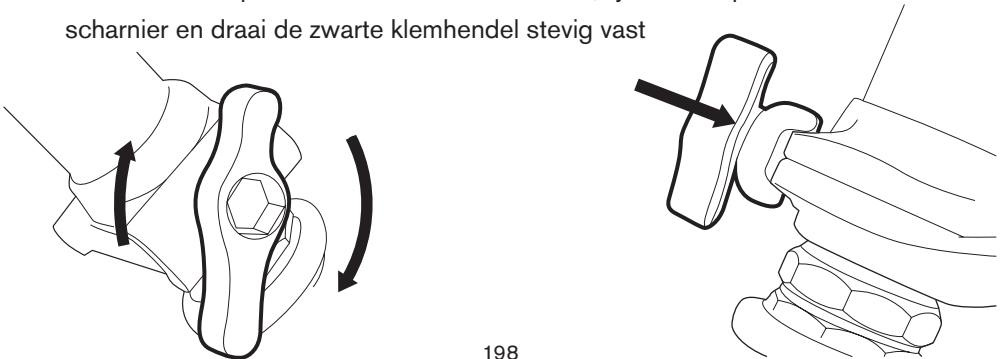
Ga links van de fiets staan; dit is de zijde waar de ketting niet zit. Klap het linker pedaal uit door de getande metalen kast naar u toe te trekken. Kijk terwijl u dit doet naar de werking van de zwarte vergrendeling. Dit helpt u bij het opvouwen van de fiets.



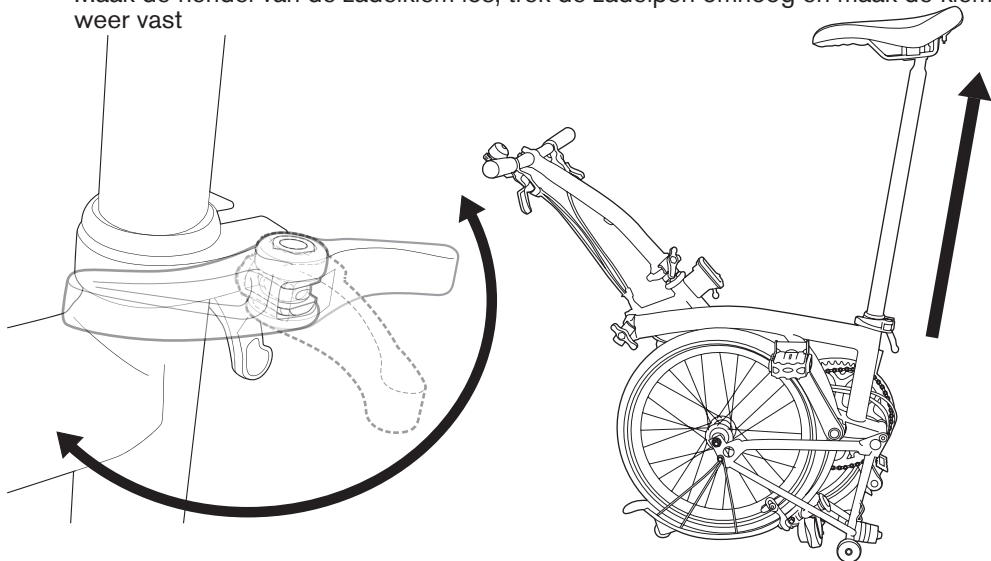
- Maak het stuur los door het uiteinde van het handvat dat het dichtst bij u in de buurt is met uw platte linkerhand stevig omlaag te duwen



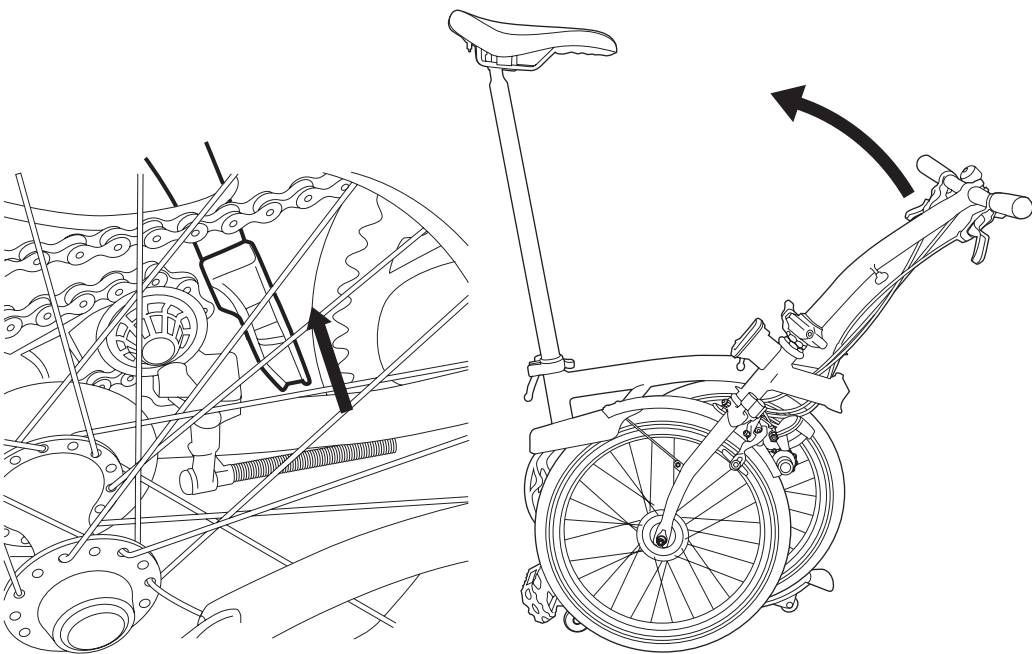
- Trek het stuur op totdat het scharnier blokkeert, lijn de klemplaat uit met het scharnier en draai de zwarte klemhendel stevig vast



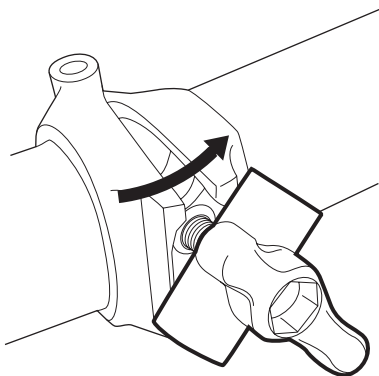
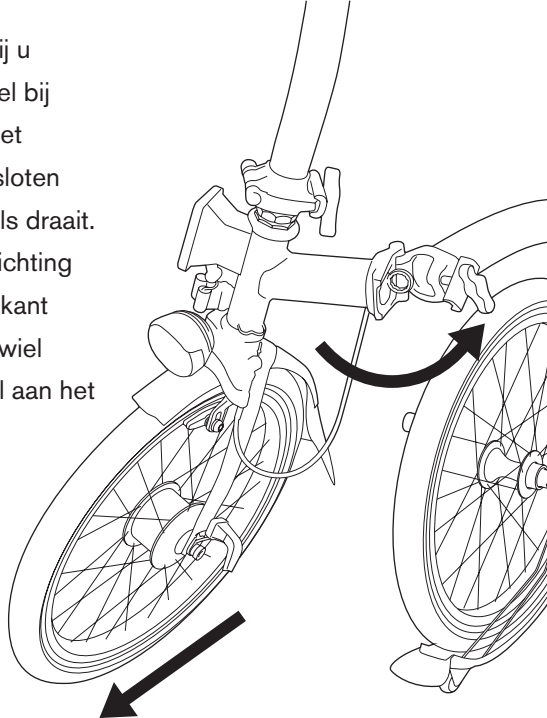
- Maak de hendel van de zadelklem los, trek de zadelpen omhoog en maak de klem weer vast



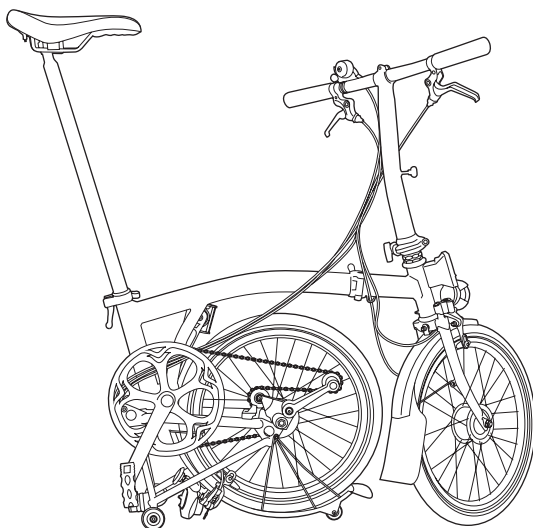
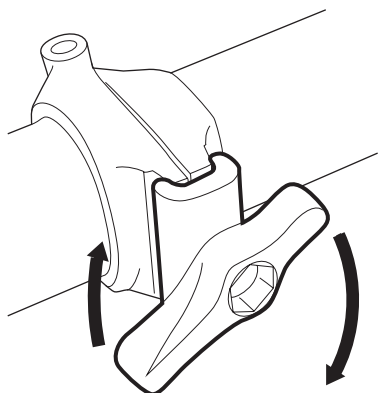
- Plaats uw rechterhand op het zadel en houd met uw linkerhand de stuurpen vast ter hoogte van het scharnier
- Kijk omlaag naar het punt waar de ketting tussen de twee wielen loopt. U ziet dan de zwarte haak waarmee het voorwiel aan de rest van de fiets is vastgemaakt
- Til de stuurpen op met uw linkerhand, zodat de haak vrijkomt van de buis waarop deze rust



- Draai uw linkerhand in een boog bij u vandaan om de vork en het voorwiel bij u vandaan te duwen. Druk totdat het scharnier op het hoofdframe is gesloten
- Voorkom dat u ondertussen uw pols draait. Zorg dat het voorwiel in dezelfde richting blijft wijzen. De haak moet aan uw kant van de fiets blijven, terwijl het voorwiel onder een kleine hoek (niet parallel aan het achterwiel) staat

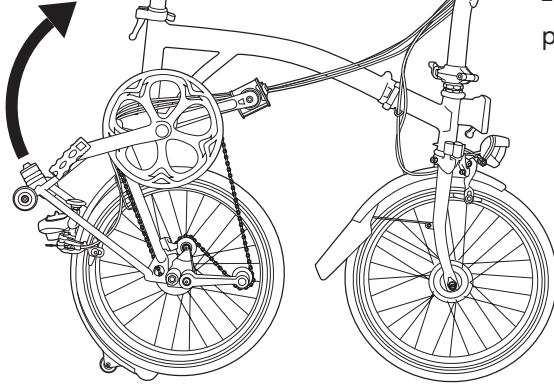


- Het scharnier op het hoofdframe moet nu gesloten zijn
- Lijn de scharnierklemplaat uit en draai de zwarte klemhendel stevig vast

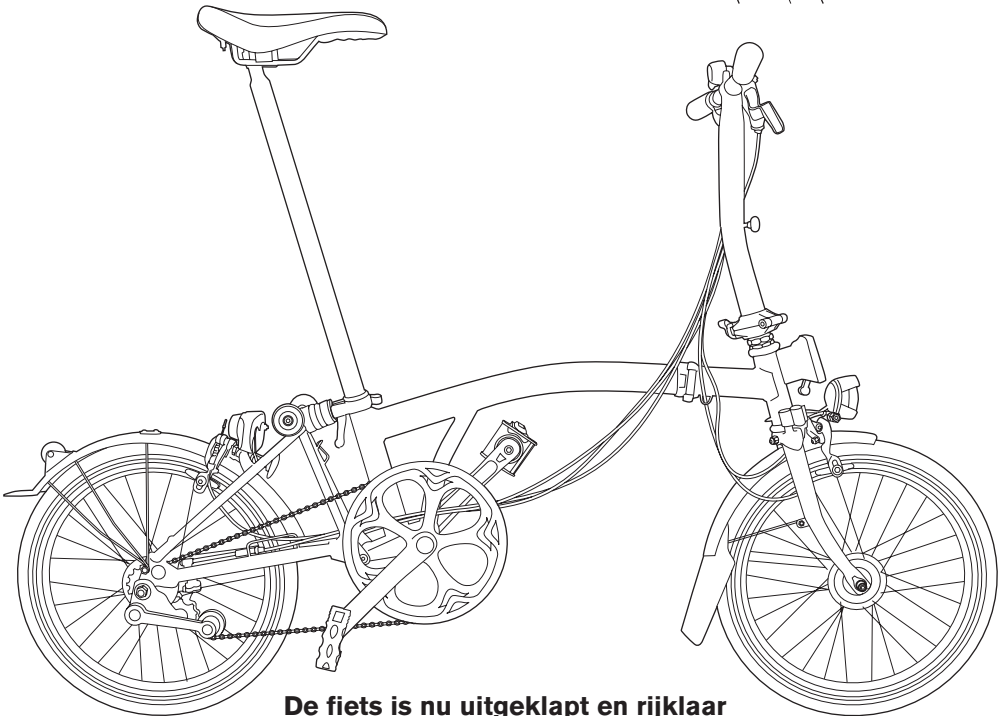
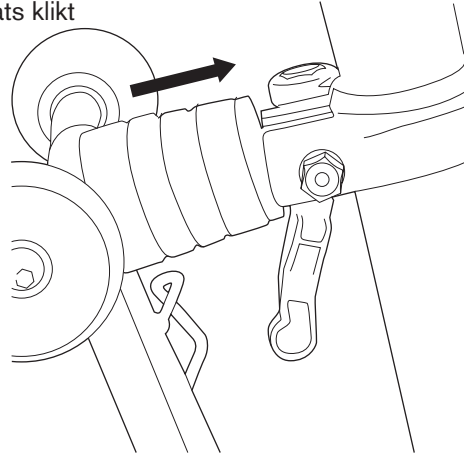


De fiets staat nu in de 'parkeerstand' en blijft zelfstandig staan.

- Klap de fiets verder uit door het stuur met uw linkerhand vast te houden. Til de fiets ondertussen met uw rechterhand snel op aan het zadel. Zwenk het achterwiel naar achteren en in positie



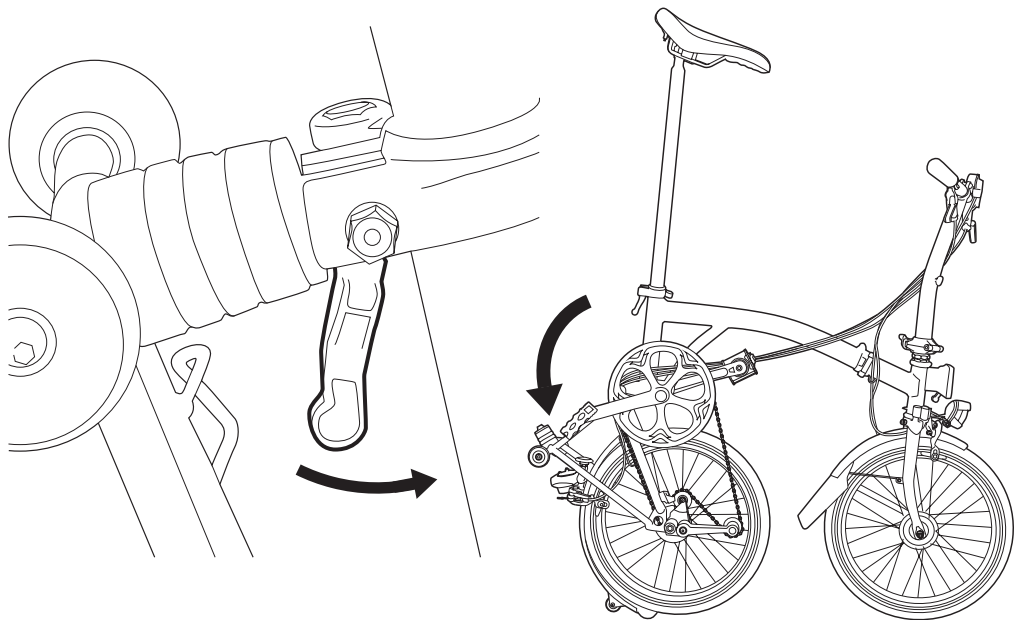
- Duw op het zadel zodat het veerelement tegen het hoofdframe duwt. Er moet een luide klik hoorbaar zijn wanneer het element op zijn plaats klikt



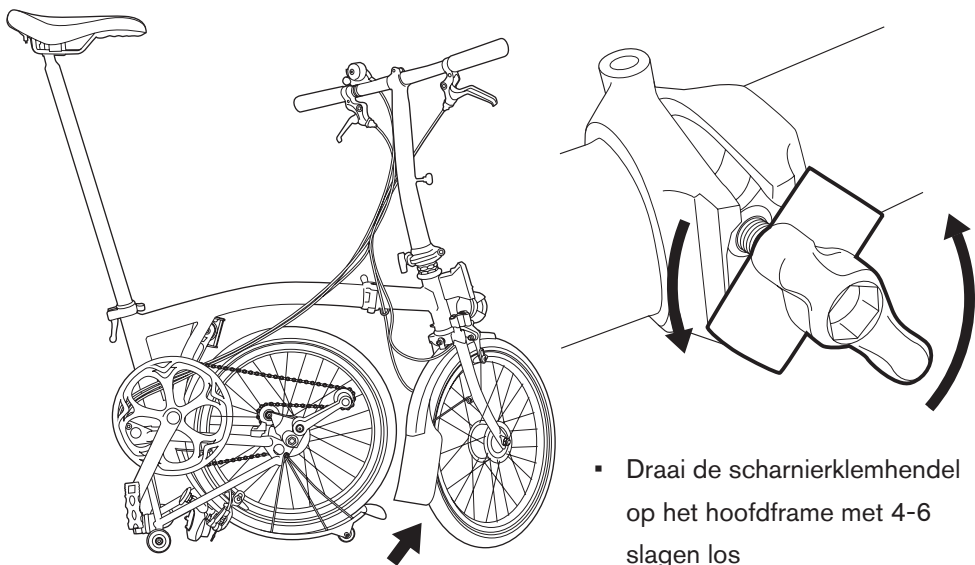
De fiets is nu uitgeklapd en rijklaar

DE FIETS OPVOUWEN

- Draai het stuur iets naar links, zodat het niet parallel is aan het achterwiel. Draai de pedalen, zodat het rechter pedaal naar achteren wijst

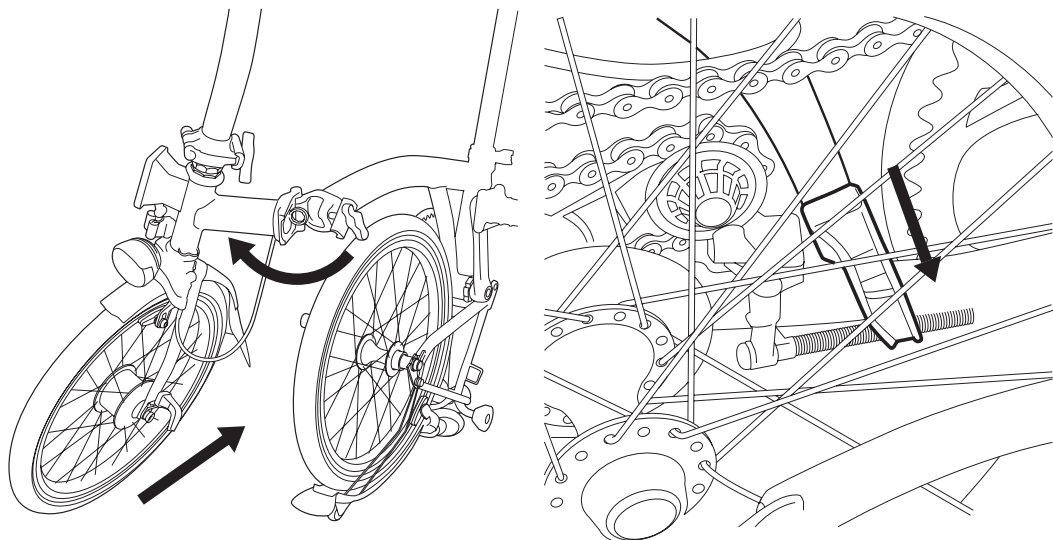


- Achter en onder de zadelpenklems zit een kleine zwarte hendel. Duw deze naar voren en til de achterzijde van de fiets vervolgens snel op, zodat het achterwiel onder het frame draait. Laat de fiets vervolgens zakken, zodat deze in de 'parkeerstand' staat

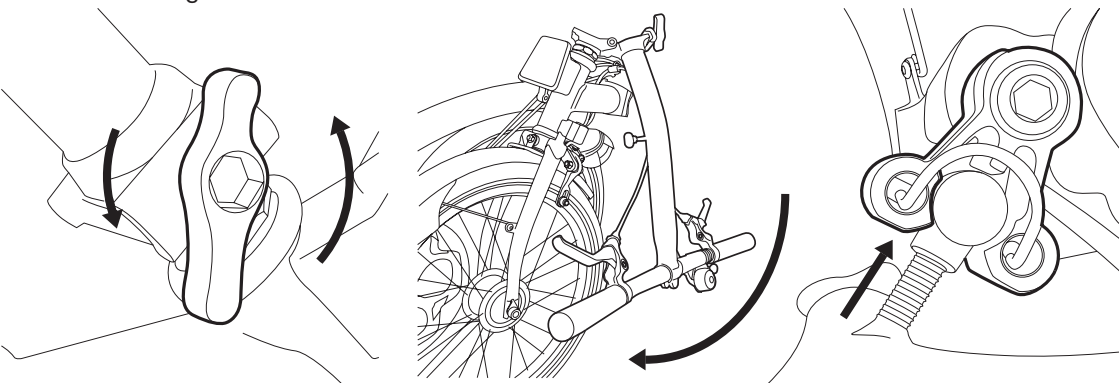


- Draai de scharnierklemhendel op het hoofdframe met 4-6 slagen los

- Houd de stuurpen met uw linkerhand vast boven de kunststof nippel en draai het voorwiel naar rechts

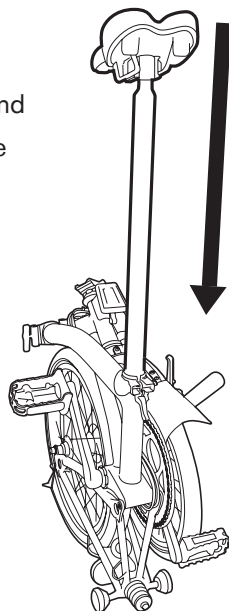
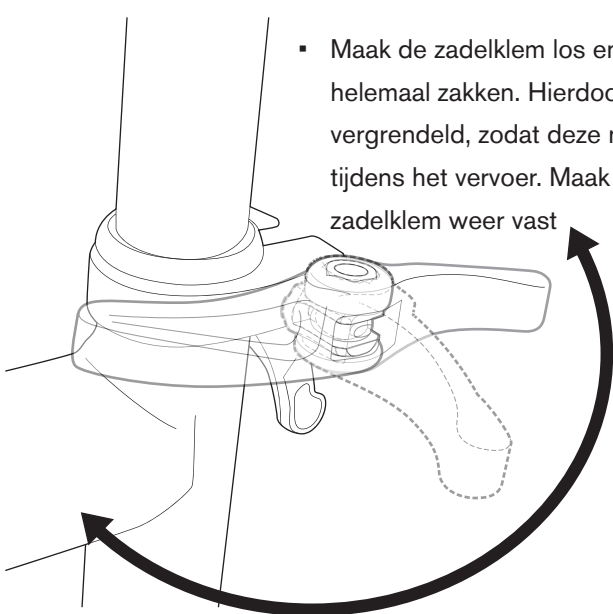


- Draai de pen naar rechts en voorkom dat u uw pols draait. Zorg dat de haak naar u is gericht en ga door totdat het voorwiel naast het achterwiel staat. U moet de voorzijde van de fiets mogelijk iets optillen
- Laat de zwarte haak over het achterframe tot onder het bovenste deel van de ketting zakken

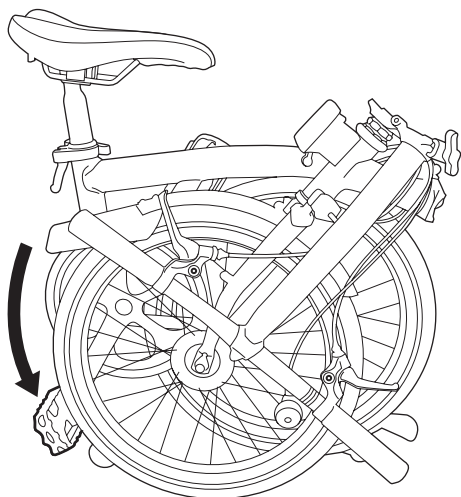


- Draai de scharnierklemhendel op het stuur in 4 tot 6 slagen los en laat de stuurstang zakken. De nippel op de stuurpen past in de klem op de bovenkant van de vork, zodat hij stevig op de fiets wordt vergrendeld

- Maak de zadelklem los en laat het zadel helemaal zakken. Hierdoor wordt de fiets vergrendeld, zodat deze niet wordt geopend tijdens het vervoer. Maak de hendel van de zadelklem weer vast



- Trek het linkerpedaal omhoog. Het rechterpedaal moet nu onder het voorwiel klemmen
- Vouw het linkerpedaal op door de zwarte plaat in het midden zo ver omhoog te duwen dat deze over het uiteinde van de crankarm valt in verticale positie
- Draai het pedaal en probeer het opnieuw als de plaat niet omhoog kan worden getild



De fiets is nu opgevouwen en kan worden opgetild en vervoerd. Zadels van Brompton hebben een op maat gemaakte gripplaat onder de 'neus' van het zadel.

Het linkerpedaal mag niet opgevouwen zijn als u de crank draait, omdat het aan delen van het achterframe kan blijven haken en schade aan uw fiets kan veroorzaken.

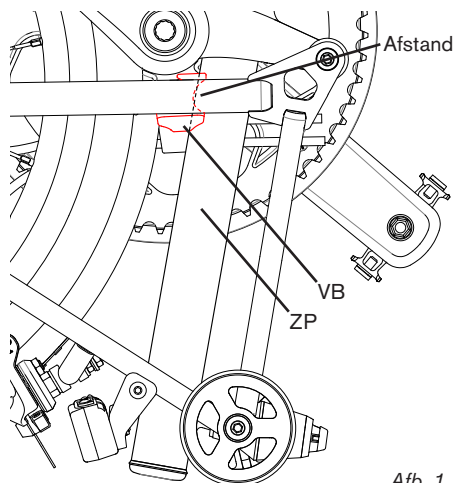
VERGRENDDELINGSBLOK

AFSTELLEN

Wanneer u de opgevouwen fiets oppakt, kan de fiets niet uitgeklapt worden omdat het vergrendelingsblok VB tegen de zadelpen ZP aansluit om te voorkomen dat het achterframe beweegt. Het VB kan worden aangepast om de juiste afstand tussen het VB en de ZP te verkrijgen. Als de afstand te klein is, zal de pen eraan blijven haken bij het opvouwen van de fiets, indien te groot kan de opgevouwen fiets gedeeltelijk uitklappen bij het oppakken.

Het is het gemakkelijkst om het VB af te stellen met de fiets volledig ingevouwen met de zadelpen omhoog. Als de zadelpen omhoog staat, zorg er dan voor dat deze op zijn plaats wordt vergrendeld met behulp van de zadelpenklem.

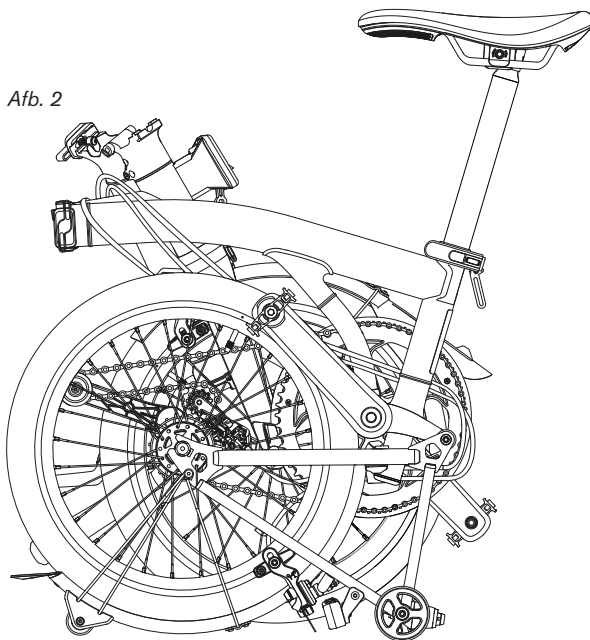
Om de afstand tussen het VB en de ZP te verkleinen (Afb. 1), draait u met een inbussleutel van 4 mm de inbusbout in het VB een halve slag per keer los en laat u vervolgens de zadelpen zakken om te controleren of deze speling heeft. Als de afstand nog steeds te groot is, draait u nog een halve slag los en controleert u de zadelpen opnieuw. Herhaal dit proces totdat de juiste afstand is verkregen.



Afb. 1

DUWEN/TREKKEN VAN DE OPGEVOUWEN FIETS

De fiets kan in opgevouwen toestand worden geduwd/getrokken, als alternatief voor het oppakken en dragen van de fiets. Breng in opgevouwen toestand het zadel omhoog tot de onderkant van de zadelpen in contact komt met het vergrendelingsblok (Afb. 2). Omdat het vergrendelingsblok nog contact maakt met de zadelpen, staat de fiets nog steeds vast in de opgevouwen stand, maar met het zadel iets verhoogd. Het verhoogde zadel kan als handvat worden gebruikt om de fiets te duwen/trekken.



Afb. 2

GEbruik VAN DE BROMPTON

BANDENSPANNING

De bandenspanning is zowel voor het comfort als de veiligheid belangrijk. Neem de volgende tips in acht voor een veilige en comfortabele rit.

De banden moeten correct worden opgepompt. Te zachte banden verhogen de rolweerstand (en maken het rijden minder aangenaam), zorgen dat de banden sneller verslijten en hebben een negatieve invloed op de besturing. **Zorg er dus voor dat uw banden altijd goed zijn opgepompt.**

De optimale spanning hangt af van uw gewicht en voorkeur. Vergeet niet dat u met een erg harde band niet altijd sneller rijdt. Een harde band kan op de wielbaan sneller zijn, maar op een onverharde weg zal een lagere spanning sneller voor afbuiging van de band zorgen, waardoor deze sneller rolt en de rit comfortabeler wordt. Over het algemeen wordt een iets lagere druk in het voorwiel en een iets hogere druk in het achterwiel aangeraden: dit is goed voor de gewichtsverdeling tussen de twee banden.

Brompton-fietsen worden uitgerust met Schraderventielen, waardoor ze op verschillende manieren kunnen worden opgepompt. De Brompton pomp is geïnstalleerd op het achterframe van alle stalen Bromptonfietsen met spatborden. Controleer tijdens het terugplaatsen van de pomp of deze goed vastzit in de houders op het achterframe. U kunt ook een standaard voet- of handpomp of perslucht bij een benzinstation gebruiken.

De onderstaande tabel toont de aanbevolen bandenspanning voor banden van de Brompton P Line-fiets.

	MARATHON RACER		SCHWALBE ONE		CONTINENTAL CONTACT URBAN	
	MIN (psi)	MAX (psi)	MIN (psi)	MAX (psi)	MIN (psi)	MAX (psi)
VOOR- ZIJDE	65	110	65	100	65	116
ACHTER- ZIJDE	65	110	65	100	65	116

AANHAALMOMENTEN

Hieronder volgt een overzicht van aanhaalmomenten voor de belangrijkste componenten.

Deze onderdelen moeten periodiek en tijdens routinematig onderhoud en reparatie van de fiets worden gecontroleerd.

Wanneer componenten niet met het juiste aanhaalmoment worden vastgedraaid, kan dit leiden tot schade of defecten aan het onderdeel. Dit kan leiden tot verlies van controle over de fiets en een ongeval tot gevolg.

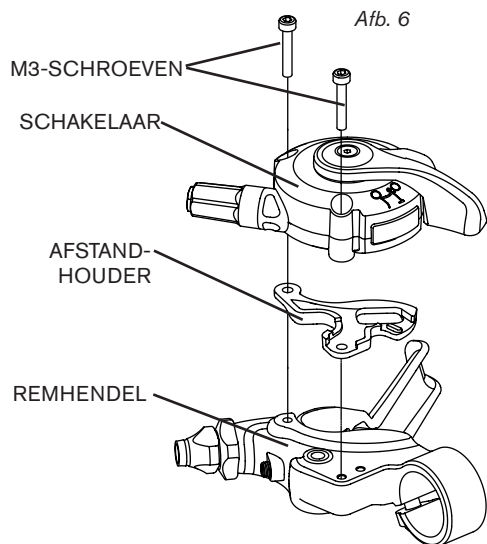
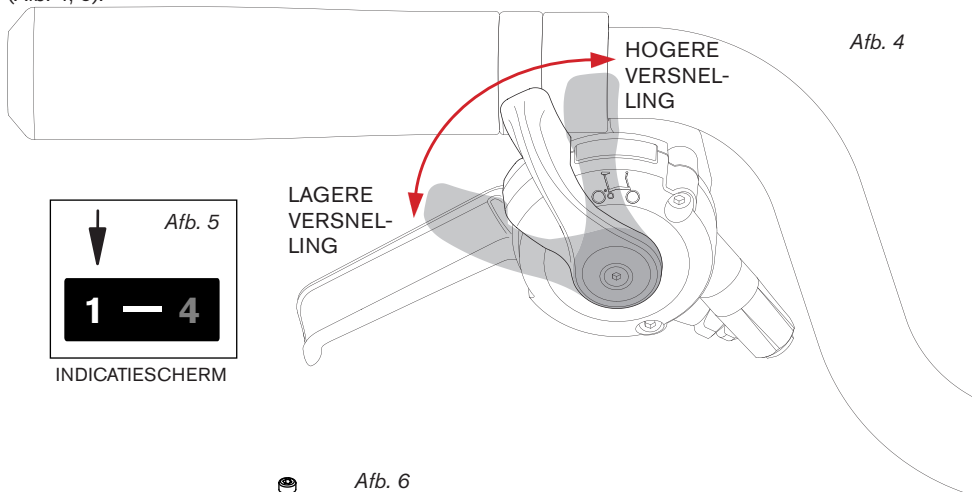
*Probeer nooit de hoogte van de stuurpen te veranderen waar deze de voorvork ingaat, deze moet volledig in de vork worden gestoken tot hij stopt. Bij het uitlijnen van het stuur met het voorwiel, moet de bevestigingsbout goed zijn aangedraaid voordat u gaat fietsen.

Als de stuurpen niet goed geplaatst is of niet goed is vastgedraaid, kan dit leiden tot beweging of breuk van het gebruikte onderdeel.

Naam van het onderdeel	Aanhaalmoment (Nm)
Bevestiging voorwiel	7
Bevestiging achterwiel	7
Bouten van remhendel	2
Moer van kettingspanner	5
Bouten van kettingblad	10
Crankbouten	30
Dynamo/Superlight voorwielnaaf	8
Bevestigingsbouten voordragerblok	4,5
Bevestigingsbout van haak van voorwiel	3,5
Keilbout van stuursteun*	30
Clipbout van stuurhouder	9
Klembout van stuur	18
Moer van remklauw	8
Klembout van rem(klauw)kabel	8
Pedalen	30
Pentaclip	10
Bevestiging spatbord	2
Bout achterscharnier	10
Montageschroef derailleur	2

BROMPTON 4 VERSNELLINGEN

De schakelaar voor 4 versnellingen heeft een hendel waarmee tussen de vier versnellingen kan worden geschakeld. De hendel keert automatisch terug naar de beginstand. Wanneer u de schakelaar met uw duim omlaag drukt, wordt naar een lagere versnelling geschakeld. Wanneer u de schakelaar omhoog wordt gedrukt, wordt naar een hogere versnelling geschakeld (Afb. 4). Het wordt aangeraden om tijdens het wisselen van versnelling door te trappen, om het schakelen soepeler te laten verlopen en om beschadiging van de betreffende componenten te voorkomen. Het venster geeft aan welke versnelling is geselecteerd (Afb. 4, 5).



DE SCHAKELAAR MONTEREN

De schakelaar wordt rechtstreeks op de linker remhendel gemonteerd en wordt op zijn plaats gehouden door twee M3-schroeven. Deze moeten worden vastgedraaid tot **0,6 Nm**. Draai de schroeven niet te strak aan: hierdoor kunnen de prestaties van de schakelaar worden verminderd. Ook kunnen de onderdelen beschadigd raken.

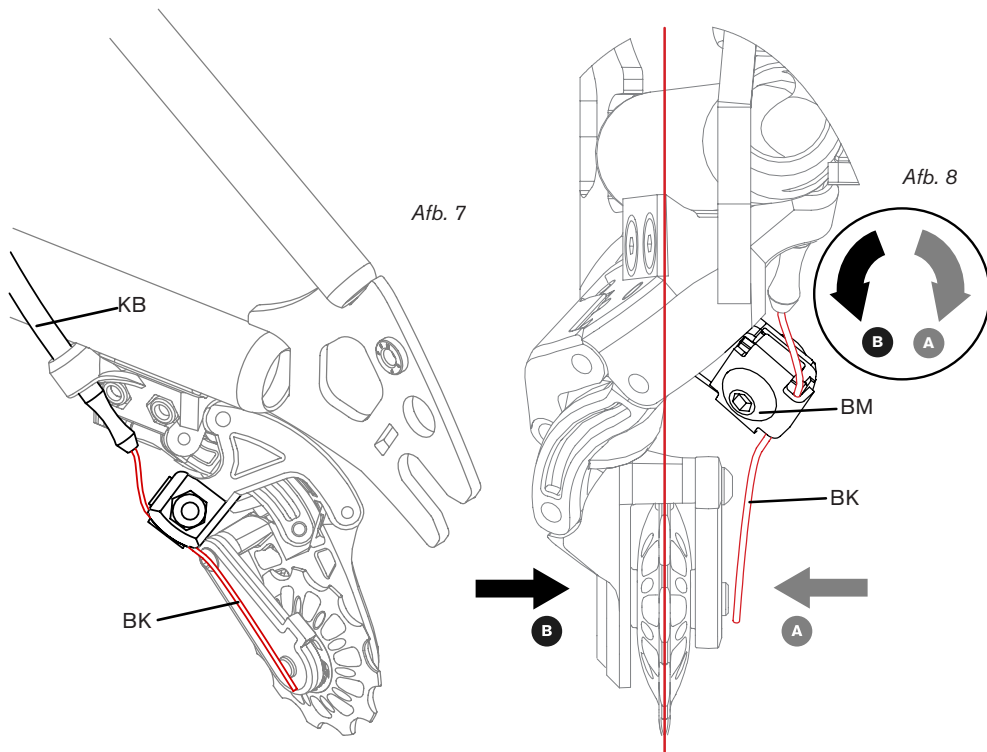
Er is standaard een afstandhouder (Afb. 6) tussen de schakelaar en remhendel gemonteerd. Deze afstandhouder is onmisbaar om voor afstand tussen de versnellingshendel en het handvat te zorgen.

ONDERHOUD

Het is van vitaal belang dat de belangrijkste componenten zoals de ketting, cassette en derailleur schoon en gesmeerd zijn. Als deze onderdelen schoon worden gehouden, wordt de levensduur verlengd en functioneren ze beter. Mocht er zich vet en vuil op de aandrijflijn hebben opgehoopt, werkt de versnelling mogelijk niet goed.

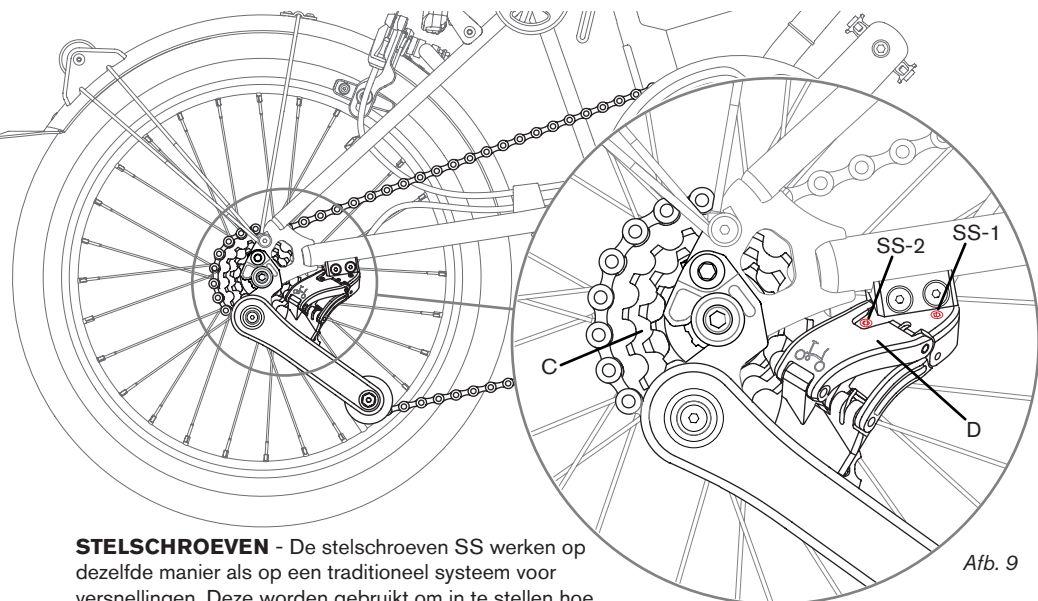
AFSTELLEN

Als de overgang naar een andere versnelling luider klinkt dan normaal of als ze beginnen over te slaan en dit niet te wijten is aan vuil of viezigheid op de onderdelen, kan dit te wijten zijn aan een opgerekte kabel. Dit komt voornamelijk voor bij nieuwe fietsen of als er nieuwe kabels zijn aangebracht. Dit kan worden verholpen door de kabel meer onder spanning te zetten. **Zie onderstaande instructies voor de kabelspanning.** Een derailleur die niet goed is uitgelijnd, kan hetzelfde probleem veroorzaken, hoewel dit meestal van invloed is op de hoogste en de laagste versnelling. In dat geval moet u de twee stelschroeven SS aan de buitenzijde van de derailleur afstellen. **Zie onderstaande instructies voor de stelschroeven.**



KABELSPANNING

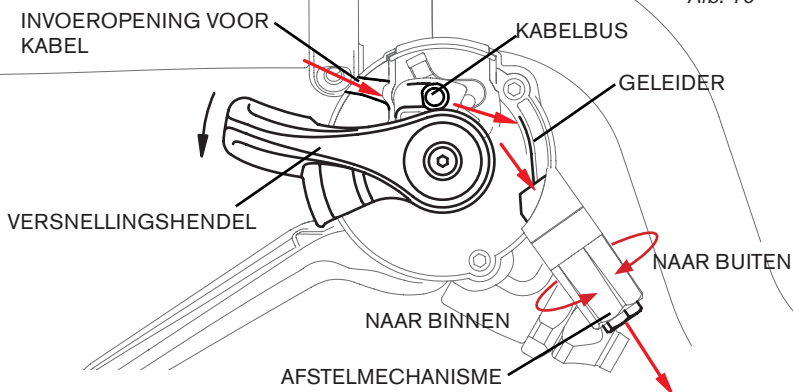
Plaats de fiets op een standaard om de spanning op de kabel te verhogen als gevolg van het oprekken. Draai het afstelmechanisme (Afb. 10) telkens een kwart slag naar buiten, terwijl u op de fiets trapt terwijl u luistert of het geluid vermindert. Er kan ook een visuele controle worden uitgevoerd om er zeker van te zijn dat het derailleurwiel op de derailleur is uitgelijnd met het geselecteerde tandwiel op de cassette. Als de fiets het grootste tandwiel niet bereikt, betekent dit dat er te veel spanning is toegevoegd, schroef de stelschroef naar binnen om dit probleem te verhelpen (Afb. 10). Als dit het oorspronkelijke probleem niet oplost, wissel dan naar het kleinste tandwiel op de cassette en draai vervolgens de bout los waarmee de kabel op zijn plaats zit aan de binnenkant van de derailleur (Afb. 7, 8). Trek met een kleine tang aan het uiteinde van de binnenkabel BK om de kabelspanning te verhogen en draai vervolgens de bout BB vast (Afb. 8).



STELSCHROEVEN - De stelschroeven SS werken op dezelfde manier als op een traditioneel systeem voor versnellingen. Deze worden gebruikt om in te stellen hoe ver de derailleur de ketting naar binnen of naar buiten kan bewegen. Indien zich problemen voordoen met het bereiken van de hoogste of laagste versnelling, moet de stelschroef mogelijk worden afgesteld.

SS-1 wordt gebruikt om het grootste tandwiel op de cassette uit te lijnen. **SS-2** voor de kleinste (Afb. 8).

Afb. 10



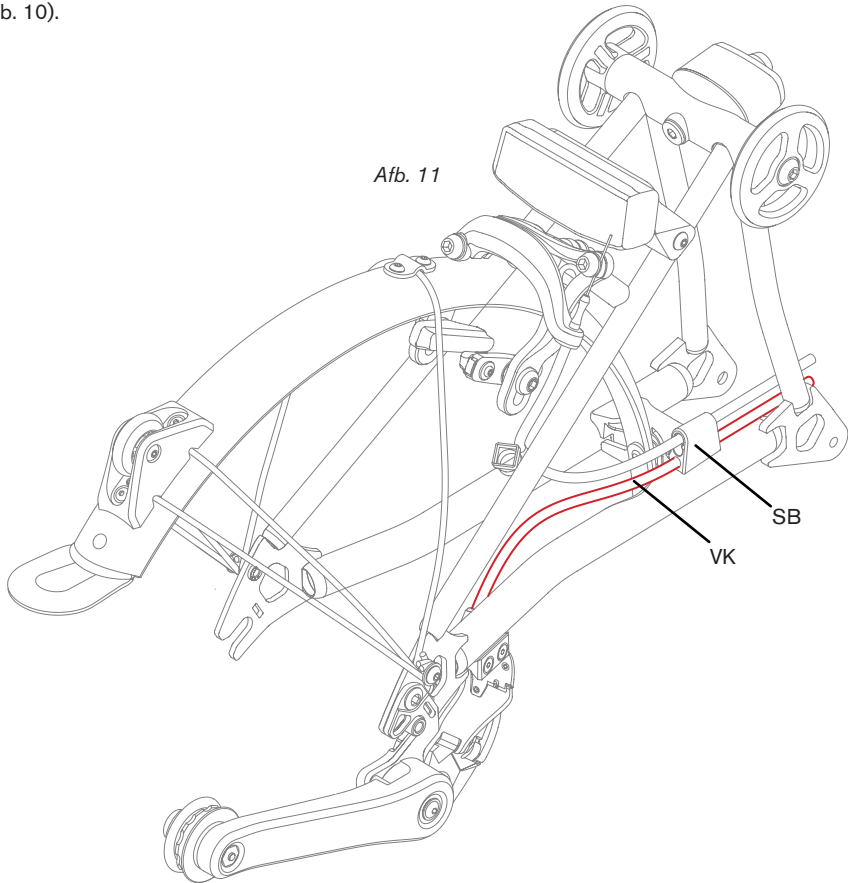
EEN NIEUWE KABEL BEVESTIGEN

- Draai het afstelmechanisme voor de loop helemaal naar rechts, zodat het in de kortste stand staat. Draai het vervolgens in 2 slagen los
- Selecteer de laagste versnelling (1) en druk de versnellingshendel omlaag, zodat deze de invoeropening voor de kabel niet blokkeert
- Voer de versnellingskabel licht omlaag door de schakelaar en kabelbus
- Trek de kabel iets terug en probeer het opnieuw als u weerstand ervaart tijdens het duwen van de kabel
- Blijf de kabel door de bus voeren totdat u lichte weerstand voelt
- Blijf doorgaan, zodat hij de geleider in de schakelaar volgt en door het afstelmechanisme voor de loop naar buiten komt.

FORCEER DE KABEL NIET: HIERDOOR KAN DE SCHAKELAAR BESCHADIGD WORDEN

DE VERSNELLINGEN INSTELLEN

- Steek de binnenkabel in de kabelbehuizing KB
- Voer hem helemaal door totdat het door het uiteinde van de behuizing steekt
- Leid de kabel langs het fietsframe volgens hetzelfde pad als de bestaande kabels. Dit is essentieel voor het opvouwen
- Wanneer de kabel het achterframe bereikt, leidt u de kabel door het stopblok (Afb. 11)
- Trek met een punttang of iets dergelijks de kabel door de behuizing en steek deze in de derailleur
- Draai de bout vast die de kabel op zijn plaats houdt aan de binnenkant van de derailleur (Afb. 8)
- Gebruik eventueel het afstelmechanisme op de schakelaar om de kabelspanning indien nodig aan te passen (Afb. 10)
- Wanneer het afstelmechanisme wordt losgedraaid, komt er meer spanning op de kabel te staan en wordt het schakelen naar de lagere versnelling verbeterd (Afb. 10)
- Wanneer het afstelmechanisme naar binnen wordt gedraaid, neemt de spanning af en wordt het schakelen naar de hogere versnelling verbeterd
- Het derailleurwielletje op de derailleur moet uitgelijnd met het geselecteerde tandwiel op de cassette (Afb. 10).



REMMEN

De remmen zijn onmisbaar voor uw veiligheid. Stel ze daarom regelmatig af. De frequentie van de afstelling hangt af van hoe vaak u uw Brompton gebruikt. U moet de remmen dringend afstellen als de remhendel het stuur raakt wanneer u remt. De remmen moeten zo worden ingesteld dat de remblokjes zo dicht mogelijk bij de velgen zitten zonder dat ze het draaien van de wielen belemmeren. Het afstellen moet gebeuren met de kabelstop met schroefdraad op de rem. Laat uw remmen afstellen door een Brompton-dealer of bevoegde fietsenmaker als u niet weet hoe u dat moet doen.

- Voor de instelling van de achterrem moet de fiets worden uitgekapt
- Stel de blokjes van de voorrem niet zo strak af dat ze de velg raken als het wiel naar links of naar rechts wordt gedraaid
- Vervang de remblokjes als de groeven van het remblokje minder dan 1 mm diep zijn

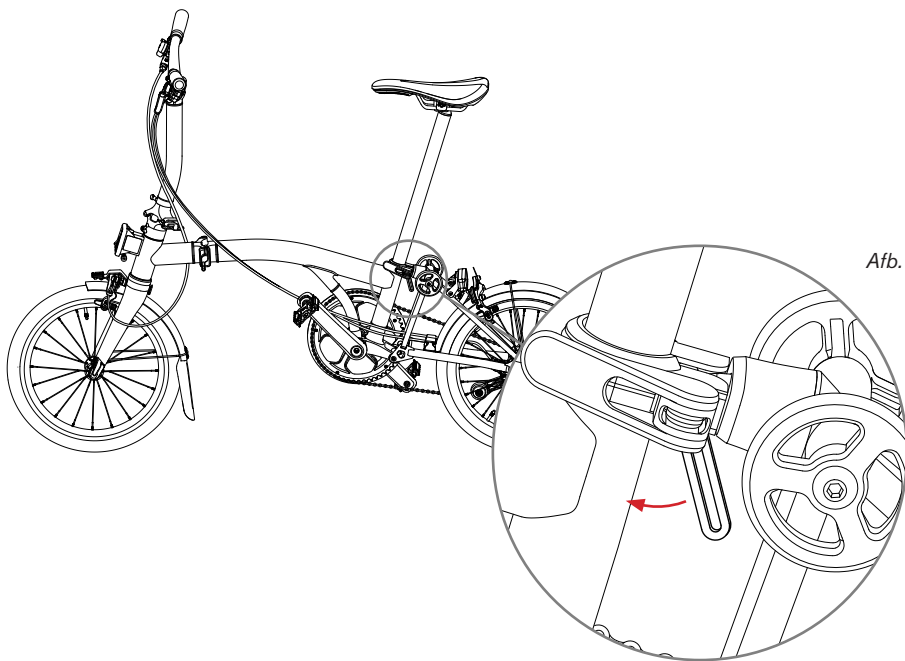
Het schoonhouden van de velgen en remblokken zal de remprestaties verbeteren en de technische levensduur van blokken en velgen verlengen. De zwarte resten die op de velgen achterblijven, zijn een mengsel van vuil, remblokstof en versleten aluminiumpoeder van de remrand van de velg. Deze resten schuren en zullen de slijtage van velgen en remblokken versnellen. Controleer tijdens het reinigen of de remblokken en velgen niet zijn versleten. Versleten velgen en remblokken moeten onmiddellijk worden vervangen.

VERLICHTING

Er zijn op Brompton-fietsen twee verlichtingsopties beschikbaar; een voor- en achterlicht op batterijen en een systeem met naafdynamo die onder het fietsen elektriciteit opwekt. Deze Brompton-verlichting kan op elk model worden gemonteerd. Gebruik deze verlichting conform de plaatselijke wetgeving. Voor technische informatie met betrekking tot de werking van de verlichting op batterijen en van het naafdynamosysteem verwijzen wij u naar de technische sectie op onze website <https://www.brompton.com>

DE CLIP VAN HET ACHTERFRAME

Druk de kleine hendel (Afb. 12) naar voren en til de fiets op, zodat het veerelement bij de vergrendeling vandaan beweegt en het achterwiel onder het frame draait om het achterframe te deblokkeren. Zet de fiets op de grond zodat hij in parkeerstand staat.



Afb. 12

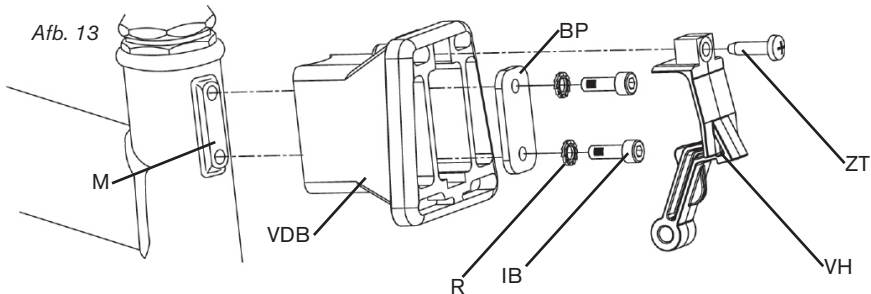
BAGAGE

Brompton heeft verschillende oplossingen voor het bevestigen van bagage op uw Brompton. Ze hebben een draagvermogen tot 10 kg aan de voorkant en 10 kg op de bagagedrager. Lees de meegeleverde instructies voordat u de bagage gebruikt. Het gebruik van onjuiste bagage kan het sturen belemmeren en gevaarlijk zijn.

NB: alle Brompton voordragerssets zijn geschikt voor Bromptons van het M, H en P Type, maar de T-tas, C-tas en vouwmand zijn niet geschikt voor Bromptonfietsen van het S Type.

VOORDRAGERBLOK

- Controleer of u alle onderdelen hebt die in het schema worden weergegeven (Afb. 13)
- Verwijder de twee stelschroeven in het gelaste montageblok M als u het blok voor de eerste keer bevestigt. Oudere fietsen hebben een zwarte nylon schroef met sleuf; nieuwere fietsen hebben een stalen zeskantige bout van 2.5 mm
- Het is erg belangrijk dat u de getande ringen R niet vergeet als u de borgplaat BP bevestigt. Gebruik bovendien het juiste aanhaalmoment voor de IB-bouten
- De blauwe patch op de bout is bedoeld om de bouten te borgen. Beschadig of verwijder de patch niet en stel deze niet bloot aan vocht: daardoor wordt de vergrendelende werking ernstig verminderd
- De bouten mogen na de eerste installatie niet meer worden losgemaakt en vastgezet: de blauwe patch verliest hierbij zijn werking
- De bouten moeten worden vervangen door Brompton-onderdeel QFCB-BOLTS of twee inbusbouten M5x16 van klasse 12.9 DIN 912 met schroefdraadborgmiddel met gemiddelde sterkte op de schroefdraad



INSTRUCTIES VOOR HET AFSTELLEN

U hebt een inbussleutel van 4 mm en een pozidrive-schroevendraaier nodig. Monteer de borgplaat BP en een van de M5 inbusbouten IB met getande ring R in de romp van voordragerblok VDB. Plaats deze op de hoofdbuis van de fiets. Zorg dat de juiste zijde omhoog is geplaatst (zie afbeelding).

- Draai de eerste bout twee of drie slagen vast, maar zorg dat hij niet helemaal vast zit
- Plaats de tweede bout met de getande ring R en schuif deze omhoog
- Draai beide bouten tenslotte stevig vast met een aanhaalmoment van 4.5 Nm
- Voer de onderzijde van vergrendelingshendel VH door de opening in de onderzijde van voordragerblok VDB en plaats de bovenzijde van de vergrendelingshendel in het voordragerblok terwijl u de onderzijde van de vergrendelingshendel vasthoudt
- Voer de zelftappende schroef ZT door de opening in de vergrendelingshendel en maak deze stevig aan het dragerblok vast
- De schroef ZT moet helemaal zijn vastgeschroefd, zodat de vergrendelingshendel goed op zijn plaats zit. Als dat niet het geval is, zal deze niet langer werken en kan de bagage vallen, met alle mogelijke gevaren van dien

SCHOONMAKEN EN SMEREN

Het is belangrijk om onderdelen te smeren, zodat ze veilig en efficiënte blijven werken. We raden u aan om de onderdelen regelmatig te smeren. Bepaalde onderdelen moeten vaker worden gesmeerd.

De ketting moet goed worden gesmeerd om vlot te kunnen trappen. Breng olie aan terwijl u de pedalen naar achteren draait en zorg ervoor dat de olie goed in de rollers vloeit. Laat de olie goed inwerken door de pedalen naar achteren te draaien en veeg overtollige olie weg.

Het is bij het smeren van de ketting belangrijk om erop te letten dat u de kettingrollen en niet de platen smeert. Smeermiddel op de platen draagt niet bij aan een efficiënte werking van het aandrijfsysteem, maar zal enkel vuil verzamelen. De beste methode is om één druppel smeermiddel op elke roller aan te brengen. Dit zal wat langer duren dan gewoon smeermiddel op de ketting te spuiten terwijl u de pedalen naar achteren draait, maar garandeert dat het smeermiddel goed binnendringt waar het nodig is.

De schroefdraad van de scharnierklembout en sluitring moeten af en toe worden gesmeerd. Een dunne laag vet op de binnenste vlakken van de klempaten helpt ook om deze gemakkelijker te lossen.

De versnellingen en lagers zijn afgedicht. De smering van deze onderdelen wordt uitsluitend tijdens groot onderhoud door een fietsenmaker uitgevoerd.

Wanneer u uw Brompton-fiets smeert, moet u er op letten dat er geen olie of vet op de zadelpen of de velgen wordt gemorst. Elk type vet van goede kwaliteit voor algemene doeleinden volstaat. Voor de beste resultaten moet de ketting met een 'droog' kettingsmeermiddel met goede penetratie worden gesmeerd. Houd rekening met de invloed op het milieu van de smeermiddelen en vetten die u gebruikt.

We adviseren u de fiets schoon te maken met een emmer met heet water met sop en een spons. Gebruik geen slang of hogedrukreiniger: daardoor kan water in lagers en bewegende onderdelen komen, waardoor het smeermiddel uitdroogt en er corrosie ontstaat.

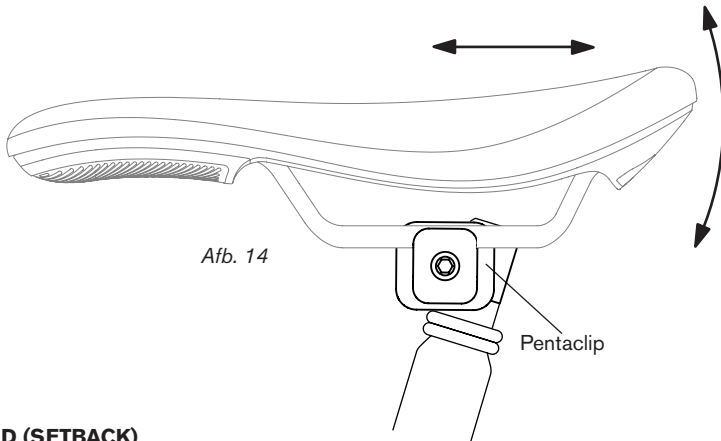
DE POSITIE VAN HET ZADEL AFSTELLEN

De hoek en terugstand (setback) van het zadel kunnen worden aangepast. Voor een comfortabele positie is het handig om het zadel in neutrale stand te zetten. Vanuit deze positie kunt u gemakkelijker de optimale stand vinden. Maak eerst de Pentaclip-bout los met een inbussleutel van 5 mm, zodat het zadel met weinig kracht kan worden bewogen. Draai deze bout niet te los omdat dit de aanpassing zal bemoeilijken.

Verschuif de zadelrails in de klem tot ze ongeveer in het midden zitten (halverwege de maximale setback). Stel het zadel horizontaal af zodat het bovenvlak van het zadel tussen voor- en achterraand ongeveer horizontaal ligt (Afb. 14). Draai de bout van de Pentaclip aan tot 10 Nm wanneer het zadel zich in een neutrale positie bevindt. Test de positie van het zadel en pas deze eventueel aan voor meer comfort.

HOEK

U kunt de hoek van het zadel naar voren kantelen als de punt van het zadel teveel naar boven wijst of als het achterste deel van het zadel onvoldoende ondersteuning biedt. Het zadel kan ook iets meer naar achteren worden gekanteld, zodat de punt van het zadel meer ondersteuning biedt of uw gewicht meer op het achterste deel van het zadel rust. Draai de bout van de Pentaclip vast als u het zadel hebt aangepast en rijd een stukje. Pas de hoek zo nodig verder aan.



TERUGSTAND (SETBACK)

Het zadel naar achteren of naar voren te kantelen ten opzichte van de neutrale centrale positie is niet alleen van invloed op de afstand (tot het stuur), maar ook op de houding ten opzichte van de pedalen. Door het zadel naar achteren te kantelen vergroot u de afstand tot het stuur en maakt u de fiets iets groter. Door het zadel naar voren te kantelen, voelt de fiets kleiner aan en zit u meer rechtop. Test de fiets en pas zo nodig nog een en ander aan. Zorg dat u de Pentaclip stevig vastdraait tot 10 Nm.

EXTRA ZADELHOOGTE

Er zijn twee Brompton-opties voor extra zadelhoogte als deze ontoereikend is: een telescopische zadelpen en een pen die 60 mm langer is. De telescopische pen kan dienen voor lange fietsers en wijzigt de afmetingen van de fiets in gevouwen positie niet.

Het stuur en de bedieningshendels op Brompton-fietsen worden in de fabriek ingesteld en zijn een compromis tussen compactheid en rijcomfort. Als u ze wilt aanpassen, moet u er wel rekening mee houden dat het opgevouwen stuur of de pen niet zo dicht bij het voorwiel zullen liggen als gewoonlijk en dus minder compact is.

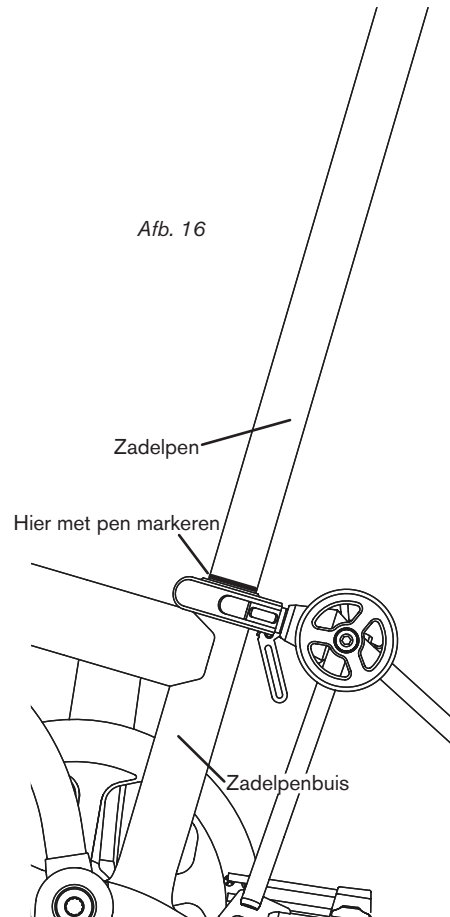
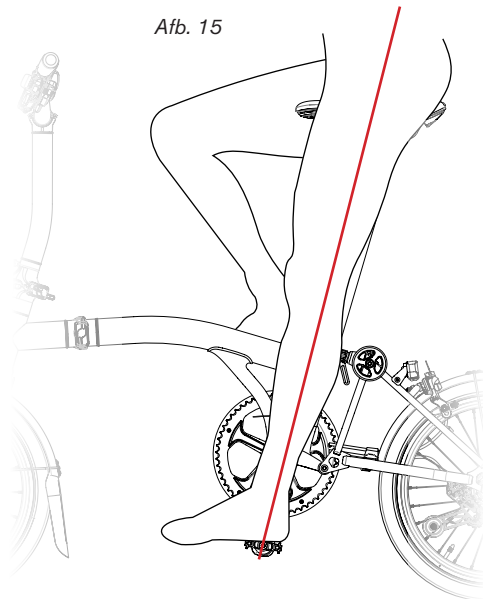
Als de stuurpen om een of andere reden moet worden verwijderd, kunt u dit best laten uitvoeren door een erkende Brompton-dealer of een gecertificeerde fietsenmaker. De klembout moet worden aangedraaid tot 10 Nm.

INZETSTUK VOOR ZADELHOOGTE BEVESTIGEN

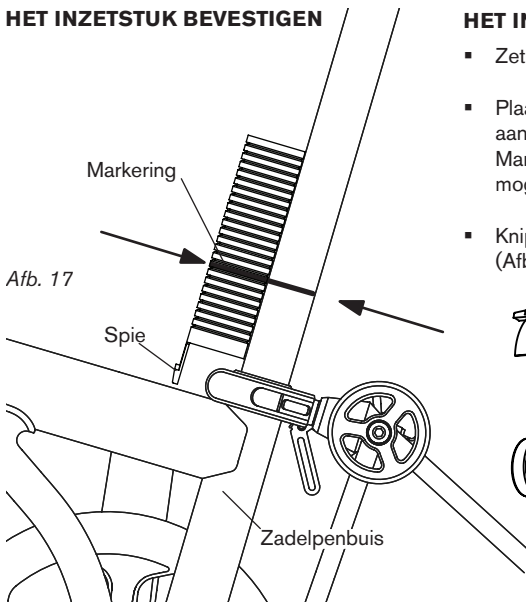
Nadat u de juiste positie van het zadel hebt ingesteld, kunt u het inzetstuk voor de zadelhoogte bevestigen. Deze moet worden gemonteerd als de zadelhoogte bij maximale uitschuiving te hoog is. Met het inzetstuk voor de zadelhoogte kunt u het zadel steeds op de juiste hoogte zetten als de fiets wordt uitgekapt.

DE ZADELHOOGTE INSTELLEN

- Vergeet niet om bij deze procedure uw gebruikelijke fietsschoenen te gebruiken
- Stel de zadelhoogte zo in dat het pedaal zich helemaal onder aan de slag bevindt en de hiel van uw schoen op het pedaal staat. Uw been moet recht zijn (Afb. 15)
- Bij het trappen met de voorkant van uw voet moet uw been bij maximale strekking licht gebogen zijn
- Markeer de zadelpen met een markeerstift of tape boven op de zadelpenbuis (Afb. 16) als u tevreden bent over de zadelhoogte
- U hebt de minimale hoogte van de zadelpen bereikt als de zadelpen onder aan het frame uit de zadelpenbuis steekt. Gebruik de fiets niet terwijl de zadelpen onder uit de zadelpenbuis steekt
- Uw Brompton-dealer kan u helpen als u twijfelt over de bevestiging



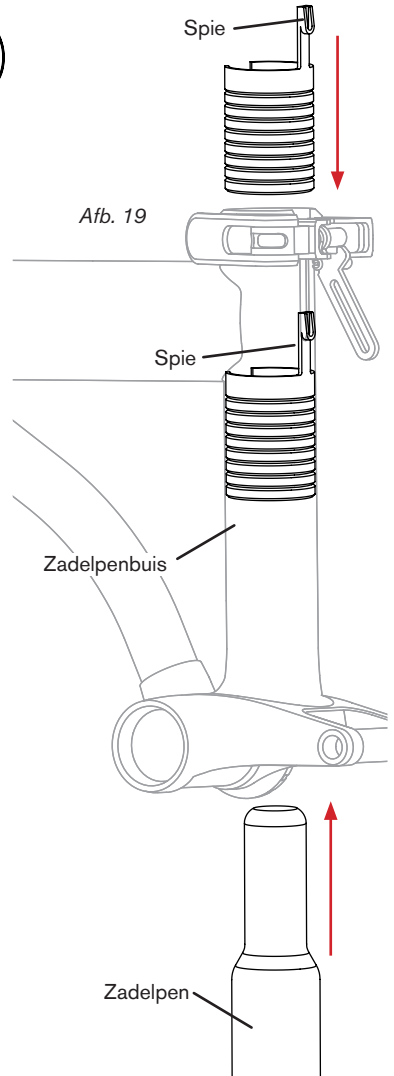
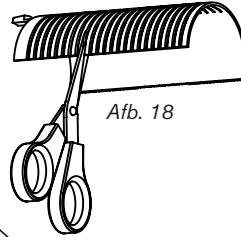
HET INZETSTUK BEVESTIGEN



- Markeer de Pentaclip met een markeerstift of met tap om de hoek van het zadel en stand op de Pentaclip aan te geven
- Draai de Pentaclip los met een inbussleutel van 5 mm en verwijder het zadel en de O-ringen aan de bovenzijde van de zadelpen
- Verwijder de zadelpen door deze aan de onderkant uit het frame te schuiven
- Knijp het inzetstuk voor de zadelhoogte samen en steek het in de bovenzijde van de zadelpenbuis. Lijn de spie uit met de inkeping (Afb. 19)
- Duw de spie tot aan de onderkant van de inkeping (Afb. 19)
- Bevestig de zadelpen weer in de onderzijde van het frame (Afb. 19) en let op dat de zadelpen schoon is
- Plaats opnieuw de O-ringen en het zadel, lijn ze uit met de markeringen op de Pentaclip en draai ze vast (15 Nm)
- Controleer of de zadelhoogte goed is wanneer deze volledig is uitgeschoven. U kunt kleine aanpassingen doen door de Pentaclip iets omhoog of omlaag te schuiven op de pen (Afb. 14). Kijk voor meer informatie op <https://www.brompton.com>

HET INZETSTUK METEN EN SNIJDEN

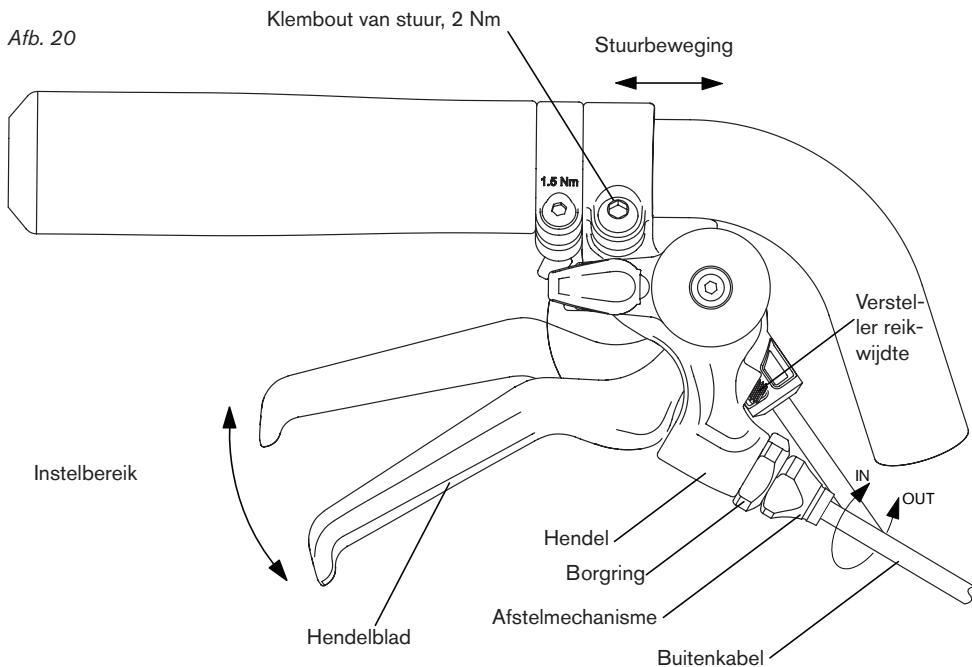
- Zet de zadelpen op maximale hoogte
- Plaats het inzetstuk ondersteboven tegen de pen aan de bovenkant van de zadelpenbuis (zie Afb. 17). Markeer de groef in het inzetstuk. Doe dit zo dicht mogelijk bij de markering op de zadelpen
- Knip met een schaar voorzichtig langs deze groef (Afb. 18)



DE REMHENDEL AFSTELLEN

Het is voor een comfortabele en veilige positie van de remhendel belangrijk om wat tijd te besteden aan de juiste aanpassing van de hendel. U kunt, afhankelijk van de grootte van uw hand, de afstand van de hendel ten opzichte van het stuur aanpassen. De hendel kan zo worden ingesteld dat deze met een, twee of drie vingers wordt bediend.

De linker- en rechterhendel zijn specifiek ontworpen voor hun respectievelijke positie. De hendel is voorzien van een klembout die omhoog is gericht (Afb. 20).



1. HENDELHOEK

Het aanpassingsbereik van de hendelhoek wordt beperkt door het uitgangspad van de kabel. Een te grote hoek van de hendel zal de juiste werking van de remmen negatief beïnvloeden en het opvouwen van de fiets bemoeilijken.

Bij het opvouwen van de fiets zal de remkabel van de rechter hendel contact maken met de vork. De hendelhoek moet zo worden ingesteld dat het kabelblok lichtjes contact maakt met de vork. Te veel contact zal het blok verbuigen en beschadigen. Daarom heeft het hendelblad een knik zodat het hendelblad hoger kan zitten dan de romp van de hendel. Dit biedt een comfortabelere positie zonder dat dit gevolgen heeft voor het pad van de buitenkabel.

2. HENDELPOSITIE

De positie van de hendel op het stuur kan worden aangepast door de hendel verder of dichterbij de stuurhandgreep te verplaatsen. Met de aanpassing van de hendelpositie kan met één, twee, of drie vingers worden geremd.

De hendelpositie voor bediening met één vinger geeft een betere grip op het stuur, maar biedt minder remkracht. De hendelpositie voor bediening met drie vingers biedt maximale remkracht, maar minder stuur grip.

3. VERSTELLER REIKWIJDTE

De aanpassing van de hendel vindt plaats via de stelschroef aan de zijkant van de hendel.

Door de versteller voor de reikwijdte in het hendellichaam te schroeven (2.5 mm-inbussleutel) wordt de hendel dichter naar het stuur gebracht.

Wanneer de reikwijdte tussen de hendel en het stuur wordt verkleind, worden de remblokken dichter bij de velgen gebracht. Het kan nodig zijn om het klempunt (de contactpositie) van de hendel aan te passen, zodat er voldoende speling is op het blok. Dit kan worden gedaan door de stelschroef in de hendel aan te draaien.

Als het instelbereik van de kabelversteller ontoereikend is voor een adequate speling van het blok en om het werkpunt van de hendel te garanderen, dan moet u de kabelklembout bij de remklauw losdraaien (10 mm-sleutel) zodat een deel van de kabel erdoor kan worden getrokken. Draai deze bout aan tot 8 Nm en controleer of de kabel stevig vastzit voordat u de fiets gebruikt.

4. KLEMPUNT AFSTELLING

Het klempunt van de hendel (werkpunt) wordt ingesteld door de kabelversteller. Door de kabelversteller in het hendellichaam te schroeven wordt het klempunt van de hendel dichter naar het stuur gebracht. Door de kabelversteller uit het hendellichaam te schroeven wordt het klempunt verder van het stuur gezet.

De kabelversteller wordt met een borgring bevestigd. Voor het aanpassen moet u hem eerst losmaken en na instelling van de correcte stand van de kabelversteller opnieuw vastdraaien.

5. DE HENDEL VASTMAKEN

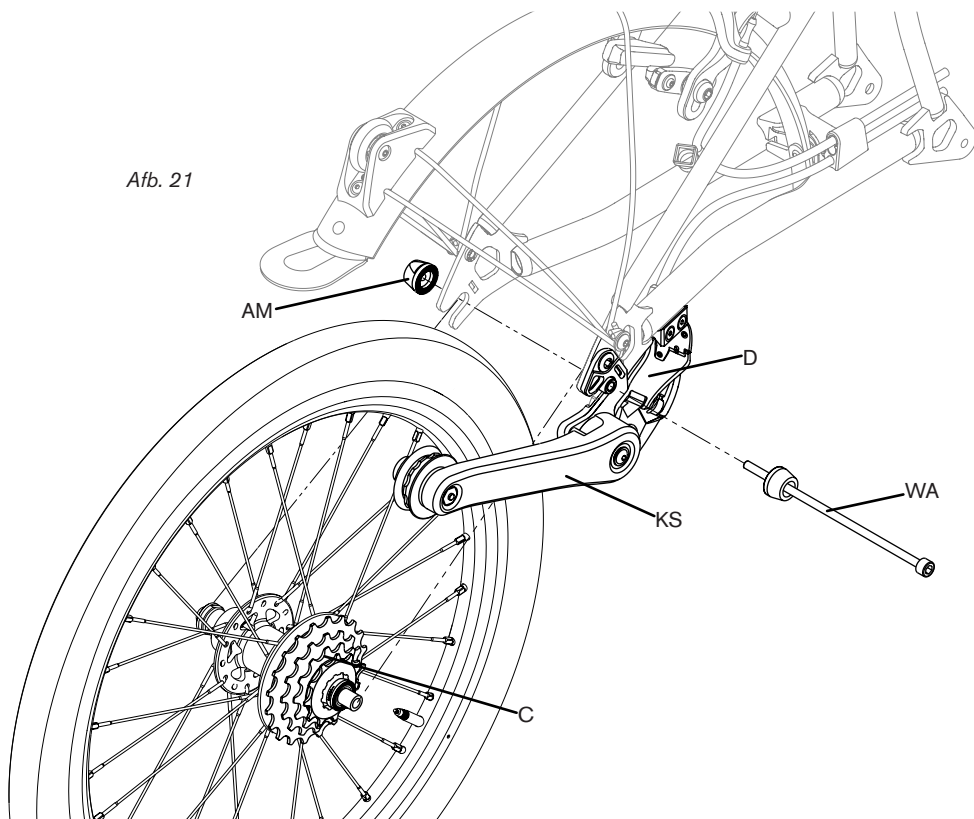
Nadat de hendel correct op het stuur is geplaatst moet u de klembout vastdraaien met een aanhaalmoment van 2 Nm (4 mm-inbussleutel).

Correcte kabelgeleiding en lengte van de kabelbehuizing zijn essentieel; kabels moeten voor het stuur lopen, links van de stuursteun en rechts van de framebuis.

ALS U NIET GOED WEEET HOE U DEZE AANPASSINGEN MOET UITVOEREN, KUNT U ZE HET BESTE DOOR EEN BROMPTON-DEALER LATEN AFREGELLEN. GEBRUIK DE FIETS NIET MET SLECHT AFGESTELDE REMMEN

ACHTERWIEL - VERWIJDEREN EN WEER BEVESTIGEN

- Schakel bij het monteren of verwijderen van het achterwiel de versnelling over naar het kleine tandwiel op de cassette
- De kettingspanner moet van de ketting worden losgekoppeld voordat het wiel wordt verwijderd
- Wanneer gemonteerd, zorg ervoor dat het wiel correct in de uitsparingen zit, anders werken de versnellingen mogelijk niet goed
- Het is van vitaal belang dat u de juiste montageprocedure volgt en alle bevestigingen aandraait



DEMONTAGE

Zet de fiets op een standaard om het achterwiel te verwijderen. Ter voorbereiding moet de spanning van de ketting worden gehaald. Bereik dit door de kettingspanner KS los te maken. Zodra de ketting slap hangt, kan deze van de cassette C worden verwijderd en weggehaald worden om het wiel te verwijderen. Gebruik een 5 mm inbussleutel om de wielas WA los te draaien. Houdt aan de andere kant de asmoer AM vast, om te voorkomen dat deze blijft ronddraaien. Verwijder vervolgens de WA volledig. Laat de band leeglopen, zodat het wiel langs de remklauw kan. Het wiel kan er nu met enige druk worden uitgeschoven.

MONTAGE

Zet de fiets op een standaard om het achterwiel te plaatsen. Zorg voor de juiste rijrichting door te controleren of de pijl op de bandwang een voorwaartse rijrichting aangeeft. Leid het wiel op zijn plaats en zorg ervoor dat de ketting later correct op de cassette C kan worden geplaatst. Zodra het wiel is geplaatst, breng wielas WA aan (Afb. 21). Draai asmoer aan tot 7 Nm. Vervolgens kan de kettingspanner KS weer worden aangebracht.

ROUTINEMATIGE VERVANGINGEN

Geplande vervangingen worden aanbevolen om de veiligheid en goede prestaties te garanderen. De voorgestelde intervallen tussen vervangingen gelden voor normaal gebruikte fietsen. De meest geschikte timing hangt af van gebruiksomstandigheden en rijstijl. We raden aan om originele Brompton onderdelen te gebruiken voor veiligheidsrelevante onderdelen.

ALUMINIUM COMPONENTEN Net als in andere lichte producten werd bij de productie van de Brompton aluminiumlegering gebruikt. Dit materiaal heeft een eindige levensduur. Bij normaal gebruik is het risico op metaalmoeheid van het aluminium zelfs na duizenden kilometers nog beperkt. Het risico op defecten neemt echter toe met de gebruiksfrequentie, vooral bij hardrijden of zware belasting. Omdat dergelijk defecten tot letsel kunnen leiden, moeten scharnierklempaten, stuur, kettingset, zadelpen en pedalen om de 8000 km worden vervangen (vaker als ze worden onderworpen aan zware omstandigheden). We raden bovendien aan om ze regelmatig te controleren.

TRANSMISSIE Alle Brompton-fietsen hebben een zelfregelende kettingspanner om de juiste spanning op de ketting te handhaven. Na verloop van tijd zullen ketting en kettingblad verslijten ('uitrekken' van de ketting). Dit resulteert in een inefficiënte en stugge transmissie. We raden aan om ketting en kettingblad om de 3200 - 4800 km te vervangen. Regelmatig schoonmaken en smeren zal de levensduur van de ketting echter verlengen. U mag nooit een nieuwe ketting op versleten kettingbladen en of omgekeerd gebruiken. Om de spanning van de ketting te meten, gebruikt u best een kettingspanner.

REMMEN Kabels hebben geen oneindige levensduur. Vervang de kabels om de maximaal 6400 km om het risico op defecten te verminderen. Nieuwe externe kabels moeten precies even lang zijn als de originele. Gebruik voor het beste resultaat Brompton-specifieke kabels. Laat deze monteren door een erkende Brompton-dealer of een gecertificeerde fietsenmaker. Kabels met een onjuiste lengte kunnen de veiligheid en prestaties van uw fiets negatief beïnvloeden.

VERSNELLINGSKABELS Deze moeten met dezelfde intervallen worden vervangen als remkabels. De Brompton-kabels zijn specifiek ontworpen voor Brompton-fietsen. Daarom mogen alleen originele kabels van Brompton worden gebruikt. Laat ze plaatsen door een erkende Brompton-dealer of gecertificeerde fietsenmaker. Kabels met een onjuiste lengte kunnen de veiligheid en prestaties van uw fiets negatief beïnvloeden.

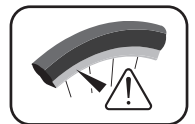
REMBLOKKEN Nieuwe remblokken hebben groeven op het remoppervlak. De blokjes moeten worden vervangen als deze groeven minder dan 1 mm diep zijn of niet langer zichtbaar zijn. Aangezien de remblokken essentieel zijn voor de veilige werking van uw remmen raden we u aan ze door een gekwalificeerde fietsenmaker te laten vervangen door authentieke Brompton remblokken.

BANDEN Het risico op een lekke band stijgt met het aantal kilometers en naarmate het loopvlak van de band begint te slijten. Vervang de band zodra u merkt dat het loopvlak van uw banden slijt. Dit verlaagt het risico op een lekke band en verhoogt de efficiëntie van het trappen.

DYNAMOVERLICHTING De elektriciteitskabels die voor de dynamoverlichting worden gebruikt, slijten tijdens het opvouwen en uitklappen van de Brompton. Als de kabels slijten, moet u ze onmiddellijk vervangen om schade aan de dynamoaf te vermijden. Als uw lichten defect zijn, moet u ze laten nakijken door een gekwalificeerd fietstechnicus om uzelf zichtbaar en veilig over de weg te verplaatsen.

VEERELEMENT EN LAGERBUS Controleer de lagerbus en het veerelement jaarlijks op slijtage. Als u barsten in het veerelement vindt, moet u het onmiddellijk laten vervangen.

VELGEN De remranden van de velgen slijten tijdens het gebruik. Er zit een klein deukje op de remrand naast het ventiel; dit fungeert als een slijtage-indicator. Wanneer de velg zover is versleten dat deze inkeping niet meer aanwezig is, moet de velg worden vervangen. Let op dit symbool op de velgen.



SERVICE NA 160 KM Bepaalde onderdelen van een fiets moeten inwerken. Om schade te voorkomen moeten deze kort na aankoop van de fiets worden gecontroleerd. We raden aan uw Brompton na de eerste 160 km of 1 maand (wat eerder komt) door een gekwalificeerde monteur te laten controleren. Hij moet bijzondere aandacht moeten besteden aan de volgende onderdelen:

SPAKEN De spanning van de spaken moet worden gecontroleerd en er moeten goede aanpassingen worden gedaan. Als een van de spaken om een of andere reden los komt te zitten, worden aangrenzende spaken extra belast en kunnen ze defect raken.

KRUKASBOUTEN EN PEDALEN Hiervan moet worden gecontroleerd hoe vast ze zitten. Het juiste aanhaalmoment is 30 Nm (het linkerpedaal is voorzien van links schroefdraad).

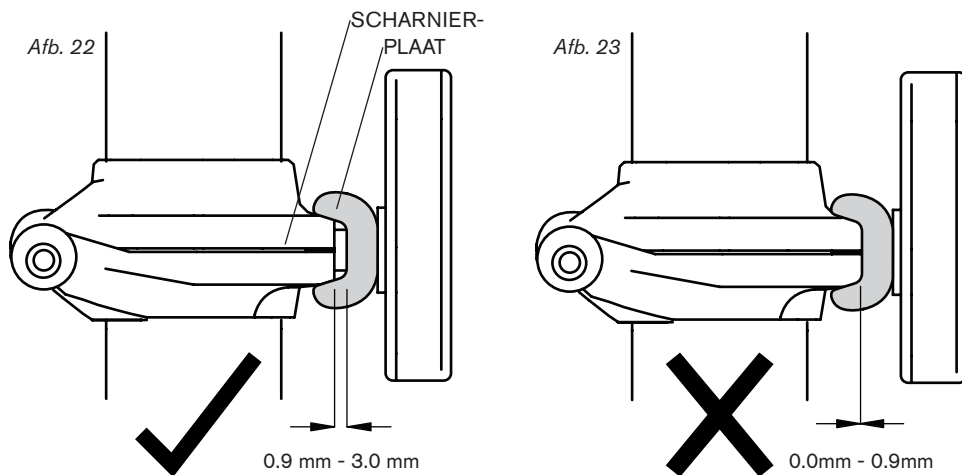
KABELS Hoewel de rem en versnellingskabels vooraf zijn uitgerekt, zal er in eerste instantie onvermijdelijk meer rek op komen. Aangezien dit de naafversnellingsbesturing beïnvloedt, moeten de versnellingen worden gecontroleerd op een correcte instelling. Het loont ook om de remmen meteen bij te regelen.

ZADELPENHOES De zadelpen schuift in het frame omhoog en omlaag in een kunststof hoes. Dit is een slijtend onderdeel dat periodiek moet worden vervangen. Als de zadelpen tijdens het rijden glijdt of als de klemmoer van de zadelpensnelkoppeling te strak moet worden vastgedraaid om de pen vast te klemmen, kan dit betekenen dat de hoes te veel is versleten en moet worden vervangen. De versleten hoes kan uiteindelijk schade aan het frame veroorzaken als hij niet wordt vervangen. Voor het vervangen van de hoes zijn speciale gereedschappen nodig. Deze taak moet worden uitgevoerd door een bevoegde Brompton-dealer.

SCHARNIER AAN ACHTERZIJDE De busen in het scharnier aan de achterzijde kunnen na verloop van tijd slijten, waardoor lichte speling merkbaar is. De busen moeten worden vervangen om de speling op te lossen. Dit werk moet worden uitgevoerd door een bevoegde Brompton-dealer omdat er speciale gereedschappen nodig zijn om de werkzaamheden uit te voeren.

SCHARNIERKLEMPLAAT Als de plaat is versleten of beschadigd, kan dat de effectiviteit van de klemming van het scharnier verminderen. Inspecteer de plaat daarom regelmatig en vervang deze wanneer dat nodig is. De afstand tussen het gietwerk van de scharnier en de scharnierklemplaat (Afb. 22) op het scharnier van het stuur en het hoofdframe moet, wanneer de hendel is vastgemaakt, 0,90 mm tot 3,00 mm bedragen. Deze onderdelen dienen regelmatig te worden gecontroleerd en zo nodig te worden vervangen.

Vervang de scharnierklemplaat als de afstand tussen het scharnier en de scharnierklemplaat kleiner is dan 0,90 mm (Afb. 23). De fiets mag niet worden gebruikt als er geen afstand tussen de scharnierklemplaat en het scharnier aanwezig is. Vervang de plaat dan eerst.



GARANTIE

Als uw geregistreerde fiets een fabricagefout vertoont, zullen we het defecte onderdeel gratis vervangen als we hiervan binnen zeven jaar (voor het frame, twee jaar indien niet geregistreerd) of twee jaar (voor de andere onderdelen) na aankoop van de fiets op de hoogte worden gebracht. De Brompton is geschikt voor gebruik op de weg en op goed aangelegde fietspaden. Brompton-fietsen zijn niet ontworpen voor veldrijden. Deze sport kan overtollige druk op het frame veroorzaken, en de banden en wielen zijn hier niet voor geschikt.

MY BROMPTON Dit deel van de website van Brompton biedt eigenaren de mogelijkheid om de gegevens van hun fiets(en) te registreren zodat wij contact kunnen opnemen als dit nodig is. Het registreren van de fiets is vereist om de 7 jaar garantie te activeren. De informatie blijft in de database van Brompton staan en zal niet worden gedeeld met externe partijen <https://www.brompton.com>

SERIENUMMER EN FRAMENUMMER Het label aan de achterzijde van de zadelpenbuis op het hoofdframe bevat het 10-cijferige serienummer. Het 6-cijferige framenummer is op het hoofdframe afgedrukt, net voor de achterste ophanging. We raden aan beide nummers ergens veilig te bewaren. Noteer uw nummers op de lege pagina's achter in deze handleiding.

ALGEMENE GARANTIEVOORWAARDEN VAN BROMPTON

Bedankt dat u hebt gekozen voor een fiets van Brompton. Uw fiets is het resultaat van Bromptons bewezen techniek, uitgebreide tests en een continu streven naar uitstekende betrouwbaarheid, veiligheid en prestaties. U kunt maximale bescherming op grond van deze garantievoorwaarden blijven genieten door te zorgen dat uw fiets wordt onderhouden overeenkomstig de aanbevelingen in het instructieboekje. Noteer alle onderhoudswerkzaamheden die door uw bevoegde Brompton-dealer zijn uitgevoerd. Zorg bovendien dat u deze gegevens op verzoek van uw Brompton-dealer met hem deelt wanneer er service-, reparatie- of garantiewerkzaamheden aan uw fiets worden uitgevoerd.

Alle nieuwe Brompton-fietsen die zijn geregistreerd in My Brompton op onze website, hebben tot 7 jaar na de aankoopdatum garantie op de onderdelen van het hoofdframe, ongeacht het aantal kilometers. Voor andere, niet-slijtende, onderdelen van uw fiets (krukarmen, remklauwen, spatborden, enz.) geldt een garantie van 2 jaar. Bewaar uw verkoopfactuur op een veilige plaats voor naslag in de toekomst. Brompton-fietsen die niet zijn geregistreerd in My Brompton op onze website, hebben 2 jaar garantie vanaf de aankoopdatum op de onderdelen van het hoofdframe, ongeacht het aantal kilometers.

Brompton Bicycle Ltd garandeert gedurende deze garantieperioden dat de nieuwe Brompton-fiets vrij is van defecten in materialen die tijdens de productie werden gebruikt en/of van vakmanschap ten tijde van de productie.

- Elk onderdeel dat in deze periode defect blijft, zal naar goeddunken van Brompton Bicycle Ltd door een bevoegde Brompton-dealer of distributeur of door de fabriek worden gerepareerd of vervangen
- Op elk onderdeel dat op grond van de garantievoorwaarden wordt vervangen, blijft de resterende garantieperiode voor de fiets van kracht
- Alle onderdelen die op grond van de garantie worden vervangen, moeten door de dealer en/of distributeur aan Brompton Bicycle Ltd worden geretourneerd en worden het eigendom van Brompton Bicycle Ltd
- Brompton kan naar eigen goeddunken reparaties uitvoeren of vervanging regelen voor defecte onderdelen die buiten de garantieperiode vallen. Dergelijke werkzaamheden dienen echter niet te worden opgevat als een betuiging van aansprakelijkheid
- Brompton neemt de kosten voor arbeid voor werkzaamheden op grond van de garantie voor diens rekening
- De garantie kan voor de resterende garantieperiode worden overgedragen aan een nieuwe eigenaar.

wordt vervolgd op de volgende pagina

Voorwaarden en uitsluitingen:

1. We raden aan uw Brompton na de eerste 160 km of 1 maand (wat eerder komt) door een gekwalificeerde monteur te laten controleren, omdat sommige onderdelen moeten inwerken en mogelijk moeten worden afgesteld om schade te voorkomen.
2. Routinematig onderhoud en servicebeurten voor de fiets moeten worden vervangen. Deze richtlijnen moeten worden gevolgd. Daarbij moet met name rekening worden gehouden met de kilometerstand van de fiets, omdat deze van invloed is op de werking van veel verschillende componenten, zoals remkabels, ketting en kettingbladen. De kilometerstand en het gebruik zijn ook van invloed op de verwachte levensduur van aluminium componenten. Deze moeten om de 8000 km worden vervangen (of sneller indien er sprake is van bijzonder moeilijk/intensief gebruik) en vallen dan ook niet onder de hierboven beschreven garantievoorwaarden voor de fiets.
3. De hierboven beschreven garantie is alleen geldig in het land waarin de fiets werd gekocht.
4. Fietsen die van het ene naar het andere land worden geëxporteerd, worden waar nodig binnen de garantieperiode ondersteund door middel van gratis verstrekking van onderdelen vanuit de fabriek. De distributeur of dealer van Brompton in het nieuwe land zal echter normale kosten in rekening brengen voor de arbeid die nodig is om reparaties op grond van de garantie uit te voeren, alsook voor enige importheffingen die over de gratis verstrekte onderdelen worden geheven.
5. De fiets mag niet zijn gebruikt voor onbevoegde wedstrijden, noch worden misbruikt*, onvoldoende worden onderhouden of onjuist worden onderhouden.
6. De fiets mag niet op een andere wijze zijn aangepast, gerepareerd of vervangen dan op de manier waarvoor Brompton Bicycle Ltd toestemming heeft gegeven.
7. De fiets moet zijn onderhouden door een bevoegde Brompton-dealer.
8. Defecten die zijn veroorzaakt door verkeerde afstelling en reparaties en aanpassingen die door iemand anders dan een bevoegde Brompton-dealer zijn uitgevoerd, vallen niet onder deze garantie.
9. Defecten die zijn veroorzaakt door het gebruik van onderdelen en accessoires die niet door Brompton Bicycle Ltd zijn geautoriseerd, vallen niet onder deze garantie.
10. De garantie dekt niet de kosten voor het verwijderen en vervangen van onderdelen en accessoires, tenzij deze als originele middelen zijn geleverd of door Brompton Bicycle Ltd zijn aanbevolen.
11. Onderdelen die naar verwachting zullen slijten bij normaal gebruik, zoals banden, lampen, kettingen, kettingbladen, remblokken enz. zijn uitgesloten van deze garantie, tenzij er sprake is van een fabrieksfout in het betreffende onderdeel.
12. Andere voorwerpen die van de garantie zijn uitgesloten, zijn het zadel, de bagage, lak, chroom, voorwerpen van gepolijst aluminium of stickers die door normaal gebruik, blootstelling of gebrek aan goed onderhoud zijn gesleten.
13. Bij de fiets geleverde batterijen vallen niet onder de garantie, met uitzondering van batterijen die lekken op het moment van levering.
14. De garantie geldt niet voor fietsen die voor commerciële doeleinden worden gebruikt, zoals door koeriers, postbezorgers, enz.
15. De garantie geldt niet voor defecten die niet binnen tien dagen na het ontdekken ervan aan een bevoegde dealer zijn gemeld.
16. Uw fiets heeft vaker onderhoud nodig als deze in zware (weers)omstandigheden wordt gebruikt, bijvoorbeeld dichtbij de zee of op wegen die met zout zijn bestrooid, in diepe sneeuw (hoogte meer dan een halve as) of op zeer stoffig/zanderig terrein. Dergelijke omgevingen kunnen vroegtijdige defecten aan de afwerking van het frame en van componenten veroorzaken. Dergelijke slijtage is van deze garantievoorwaarden uitgesloten. Brompton Bicycle Ltd heeft veel zorg besteed aan de selectie van materialen en aan platerings- en laktechnieken teneinde klanten een kwalitatieve, prachtige uitstraling in combinatie met duurzaamheid te bieden. Als uw fiets echter onder negatieve omgevingsomstandigheden, zoals voornoemde omstandigheden, wordt gebruikt, is het van groot belang dat uw fiets wordt gewassen en afgedroogd en dat verdwenen vet wordt vervangen zodat uw fiets in optimale staat blijft. Uw dealer kan desgewenst meer informatie verstrekken en advies geven. Ten slotte is de uitstraling van uw fiets sterk afhankelijk van de verzorging die u biedt.
17. Mocht het nodig zijn een beroep op de garantie te doen, dan zijn Brompton Bicycle Ltd en haar Distributeurs en Dealers niet verantwoordelijk voor de kosten van het vervoer van de fiets naar/vanaf de bevoegde Brompton-dealer, noch voor kosten die zijn gemaakt terwijl de fiets niet werd gebruikt, waaronder kosten vanwege gebruiksderving, ongemak, tijdverlies, commercieel verlies of andere incidentele of gevolgschade.

Deze garantie zal worden geïnterpreteerd overeenkomstig het Engelse recht. Eventuele vragen die naar aanleiding van deze garantie ontstaan, zullen worden onderworpen aan de rechtsbevoegdheid van Engelse rechtbanken.

Elke andere uitspraak, voorwaarde, voorstelling van zaken, beschrijving of garantie die in enige catalogus, advertentie of andere publicatie is opgenomen, dient niet te worden opgevat als een uitbreiding van, variatie op of vervanging van de inhoud van deze voorwaarden.

Brompton Bicycle Ltd behoudt zich het recht voor om zonder kennisgeving aanpassingen of verbeteringen aan modellen of apparaten door te voeren zonder verplicht te zijn om deze ook toe te passen op reeds verkochte fietsen. Deze garantie is niet van invloed op uw wettelijke rechten.

* Onder misbruik valt elk gebruik dat niet voldoet aan de aanbevelingen in het instructieboekje, evenals gebruik dat haaks staat op de waarschuwingen die in hetzelfde instructieboekje zijn opgenomen. Daarnaast omvat misbruik, hoewel niet uitsluitend, elk ander gebruik van de fiets dan normaal weggebruik. Uw Brompton is bedoeld voor gebruik op wegen en gebaande paden. Hij is niet ontworpen voor gebruik buiten begaanbare wegen. Dit gebruik kan overtollige druk op het frame veroorzaken, en de banden en wielen zijn hier niet voor geschikt.



BROMPTON BICYCLE LTD
Unit 1 Greenford Park
Ockham Drive
Greenford
Middlesex
UB6 0FD
© Brompton Bicycle Ltd 2020



OM9-2

ISO 4210-2
STADS- EN TREKKINGFIETSEN

CPSC 16 CFR 1512